

A

B

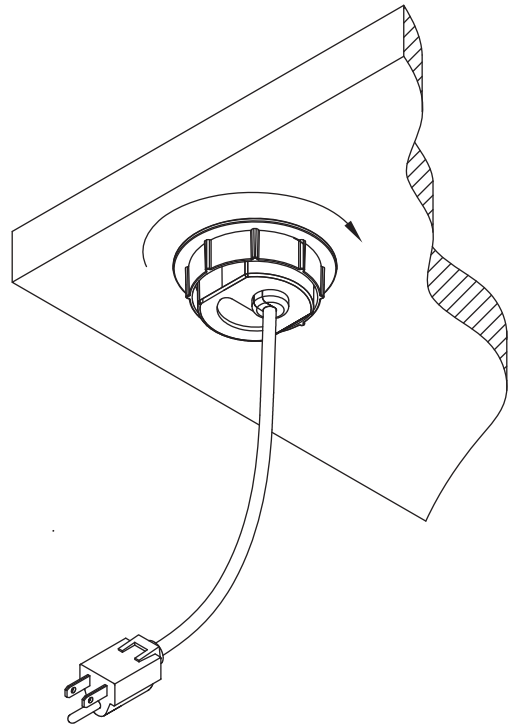
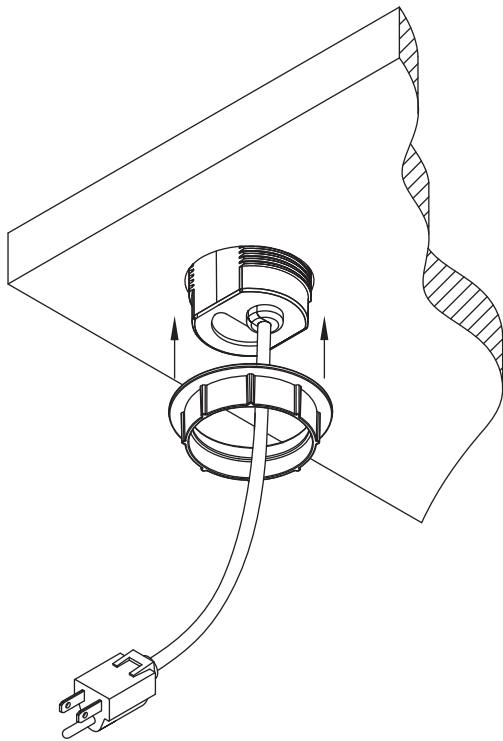
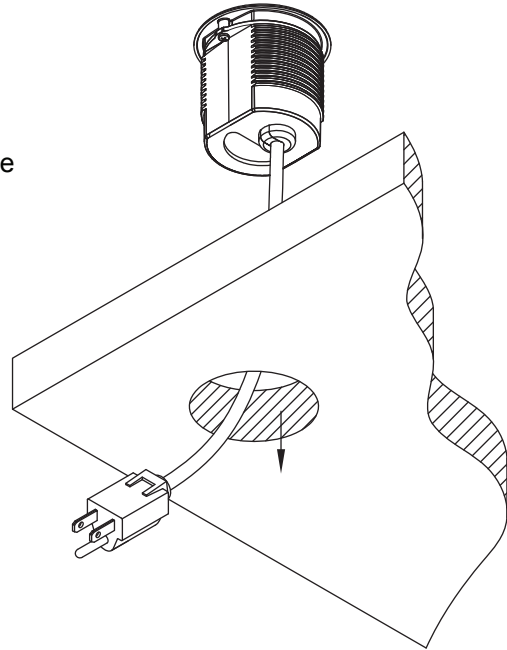
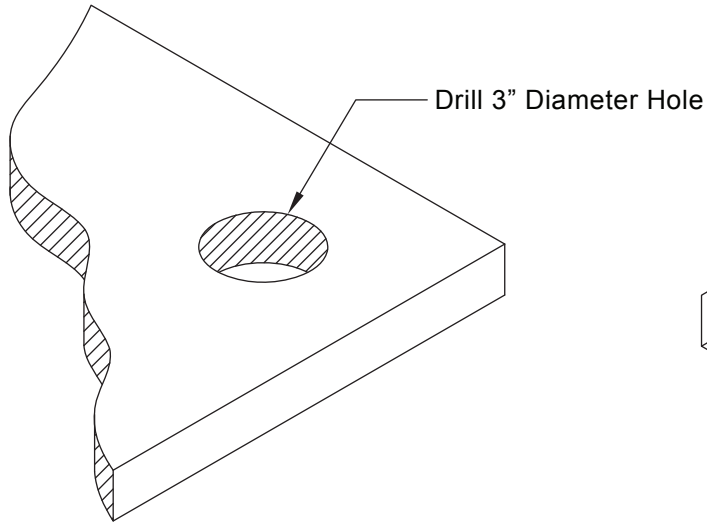
C

D



INSTALLATION INSTRUCTIONS FOR NODE™

Install data jacks as described in the installation instructions provided with the data adapters, BE01421.



A

B

C

D