

Assembly Instruction

Tessera Sliding Door

- 1 The lower sliding hardware has an adjustable screw to be able to level the door or fix rolling issues, such as getting stuck or if it is too loose. If the door is wedged and won't slide loosen the screws in a counterclockwise motion. If the door is wobbly, try tightening the screws for a smoother and quieter sliding experience.

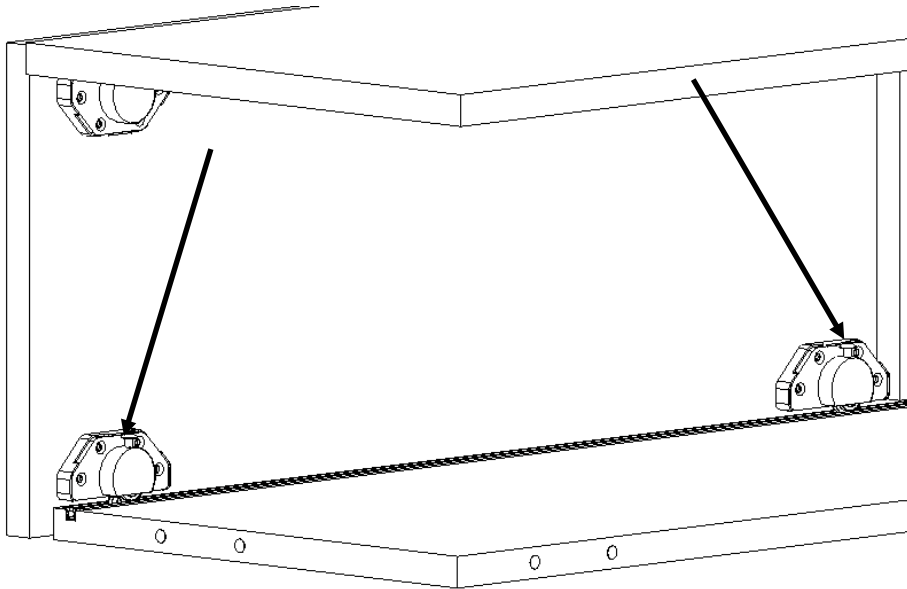


Figure A

END AND BACK PANEL HIDDEN

- 2 If the door is sliding past or stopping before the end panel then the stopper needs adjusted. Using a 1.5 mm metric hex key loosen the set screw and then slide the stopper in the correct position and then retighten the set screw.

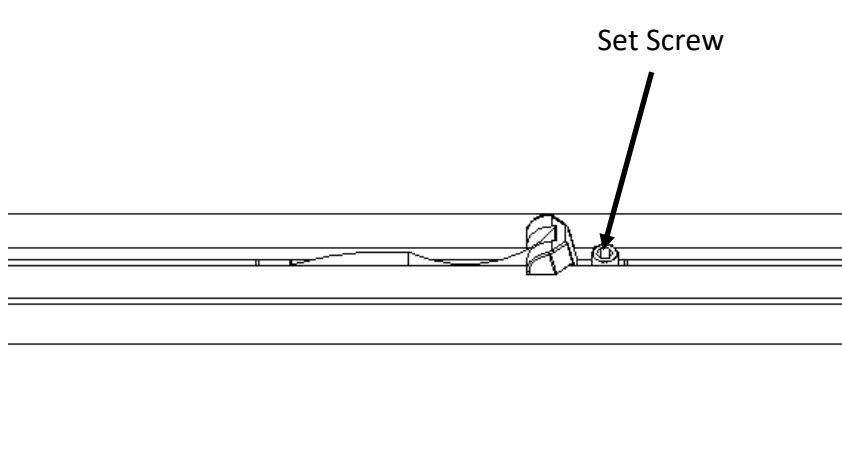


Figure B

Package Contents

Component.....	Qty
Sliding Door	1 to 2

Tools Required

Phillips Screw Driver
Level
1.5 mm Hex Key

NATIONAL

Furniture with Personality™

Telephone 800.482.1717
Fax 812.482.8800
www.NationalOfficeFurniture.com

Part # 2917419
Rev. -

Printed in U.S.A
© 2015 Kimball International, Inc.

Proper product installation, in accordance with these instructions, is the responsibility of the installing agent. If you have any questions concerning these instructions, please call National Customer Service 800.482.1717.