

Assembly Instruction

Tessera Wall Panel

1 The wall blinders will be partially attached to the wall panel during shipment.

NOTE: Before moving forward with hanging any wall panel check to see if this wall has shelves, TV, or lighting to attach.
Shelves: View AI 2914720 immediately for shelves.
TV panel: View Step 11.
Wall lighting: View the first note located before Step 12.

2 Attach the final 2 screws in each blinder to the wall panel.

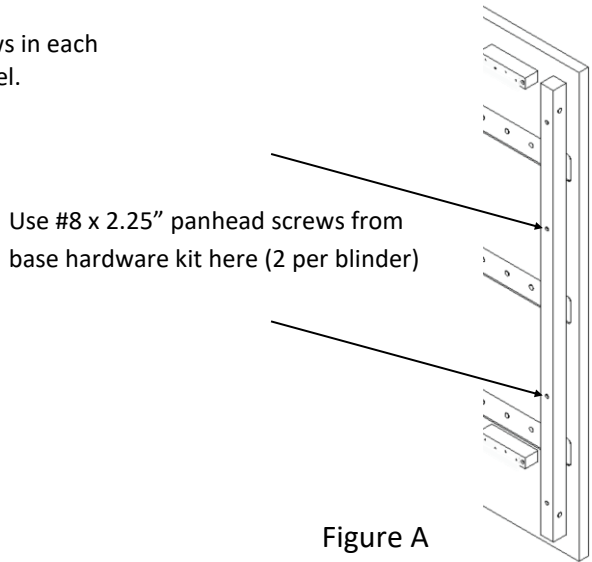


Figure A

3 The top of the wall panel should be located 75" from the **HIGH SPOT** of the floor. To achieve this height, the level lines should be located 70 1/8" from the floor and 40 3/8" below the top level line.

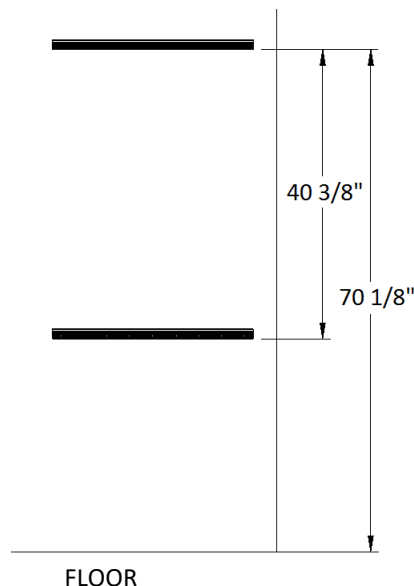


Figure B

Proper product installation, in accordance with these instructions, is the responsibility of the installing agent. If you have any questions concerning these instructions, please call National Customer Service 800.482.1717.

Package Contents

Hardware	Qty
Z-Clip Rail	2
#8 X 2.25" panhead screw	4
#8 x 1" panhead screw	8
Flat Bracket	2

HDW for TV Mount (optional)	Qty
5/16-18 x 1" panhead screws	4

Component	Qty
Wall	1
Blinder	2
TV Mount (optional)	1

Tools Required

- Drill (Phillips #2 and #3 bits)
- Tape Measure
- Level

NATIONAL

Furniture with Personality™

Telephone 800.482.1717
 Fax 812.482.8800
www.NationalOfficeFurniture.com

Part # 2917726
 Rev. C

Printed in U.S.A.
 © 2015 Kimball International, Inc.

Assembly Instruction

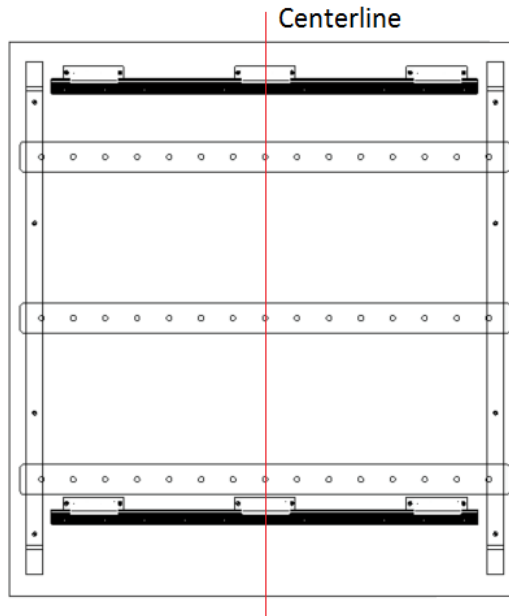
Tessera Wall Panel

NOTE: National defines a structural wall as a load-bearing wall constructed of materials such as: poured concrete, concrete block, or studs. Wood studs must be a nominal 2" x 4" size minimum. Metal studs must be "C" channel, 20-gauge thick minimum. Metal or wood studs must be on centers no greater than 24" and have maximum height of 14' restrained at floor and ceiling. Interior walls shall be designed to resist not less than a force of 5 lbs. per square foot applied perpendicular to wall. The deflection of such wall under a load of 5 lbs. per square foot shall not exceed $1/240$ of the span for walls with brittle finishes, and $1/120$ of the span for walls with flexible finishes (per Uniform Building Code Section 2390b). If you have any questions concerning your load-bearing structures, please consult your architect or structural engineer.

4

The structural wall z-clip will fit in-between the blinders on the wall panel. To ensure this, the center of the wall z-clip needs to be measured to line up to the center of the size of the wall panel being installed. i.e. 48" wall: measure over 24 inches from desired location of the edge of the wall to line up the center of the z-clip on the wall to the center of the wall panel being hung.

Figure C



NATIONAL

Furniture with Personality[®]

Telephone 800.482.1717
Fax 812.482.8800
www.NationalOfficeFurniture.com

Part # 2917726
Rev. C

Printed in U.S.A.
© 2015 Kimball International, Inc.

Proper product installation, in accordance with these instructions, is the responsibility of the installing agent. If you have any questions concerning these instructions, please call National Customer Service 800.482.1717.

Assembly Instruction

Tessera Wall Panel

5A

NOTE: FOR STUD MOUNT WALL PANELS ONLY.

Place the z-clip on the wall centered where it needs to be and line up the bottom edge of the clip to the dimensions in step 3.

Locate the centers of the wall studs and transfer those locations to the lower portion of the z-clip.

On the same Z-clip rail locate and mark remaining fastener locations in-between studs. Space these as evenly as possible based around the location of the studs. These are to be used to mount auxiliary drywall fasteners.

Refer to figure R in appendix to determine min # stud and of aux. drywall fasteners required. In some instances 2 evenly spaced drywall fasteners between studs is acceptable to meet minimum fastener requirements.

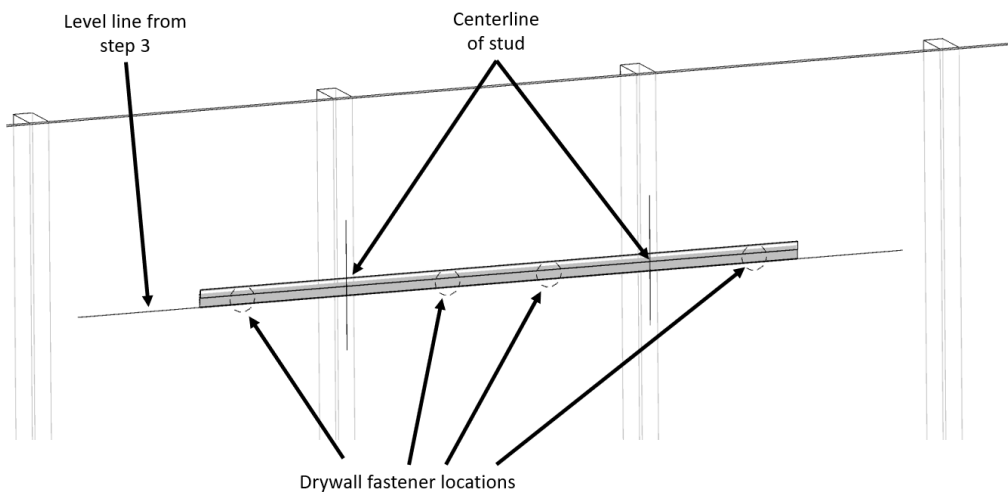


Figure D

5B

NOTE: FOR MASONRY BLOCK WALL MOUNT ONLY.

Place the z-clip on the wall centered where it needs to be and line up the bottom edge of the clip to the dimensions in step 3.

Measure and mark appropriate locations for all fasteners, spaced evenly as possible, ensuring at least the minimum fastener requirement is met.

Refer to Figure R in appendix to determine min # of fasteners required.

NATIONAL

Furniture with Personality®

Telephone 800.482.1717
Fax 812.482.8800
www.NationalOfficeFurniture.com

Part # 2917726
Rev. C

Printed in U.S.A
© 2015 Kimball International, Inc.

Proper product installation, in accordance with these instructions, is the responsibility of the installing agent. If you have any questions concerning these instructions, please call National Customer Service 800.482.1717.

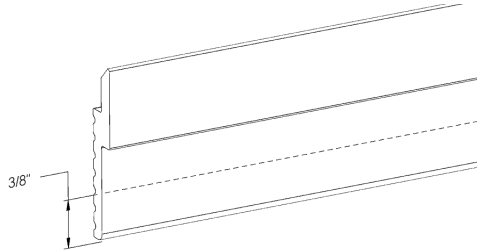
Assembly Instruction

Tessera Wall Panel

6

Remove the z-clip rail from the wall and bore holes through the rail 3/8" above bottom edge of rails at locations marked in step 5.

Figure E



Refer to figure Q in appendix to determine recommended fastener per wall construction.

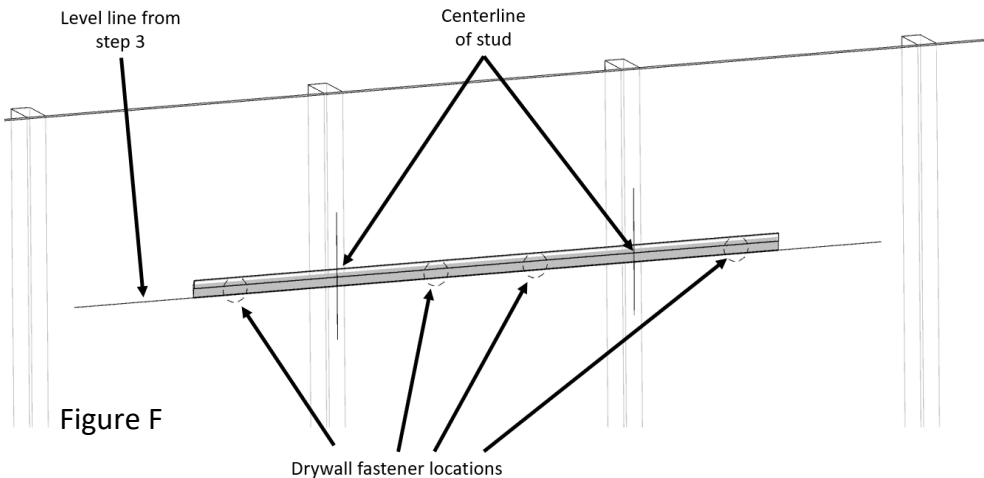
7A

NOTE: FOR STUD MOUNT WALL PANELS ONLY.

Mark, drill, and install drywall fasteners into drywall per manufacturer recommended installation.

Position the z-clip to the wall aligning the bottom edge of the rail with the level lines drawn in step 3. Attach the z-clip to the wall making sure each screw or anchor makes full, solid contact with each stud.

After attaching the z-clip stud mounted fasteners, install drywall fasteners in non stud mounted locations to finish.



7B

NOTE: FOR MASONRY BLOCK WALL MOUNT ONLY.

If required, mark, drill and install block anchors into wall per manufacturer recommended installation.

Position the z-clip to the wall aligning the bottom edge of the rail with the level lines drawn in step 3. Attach the z-clip to the wall making sure each screw makes full, solid contact with wall or appropriate anchor.

Proper product installation, in accordance with these instructions, is the responsibility of the installing agent. If you have any questions concerning these instructions, please call National Customer Service 800.482.1717.

NATIONAL

Furniture with Personality™

Telephone 800.482.1717
Fax 812.482.8800
www.NationalOfficeFurniture.com

Part # 2917726
Rev. C

Printed in U.S.A.
© 2015 Kimball International, Inc.

Assembly Instruction

Tessera Wall Panel

8

The wall panel needs to be pushed up against the architectural wall above the z-clip rails and then pushed down onto the z-clips to create the connection between the structural wall z-clips and the z-clips on the wall panel.

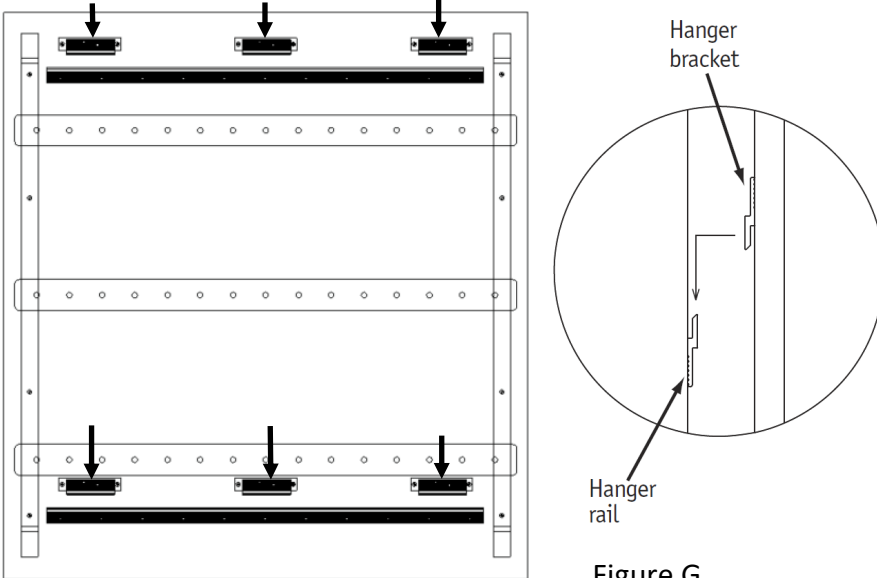


Figure G

9

If multiple wall panels are being hung side-by-side repeat steps 1-5 for each panel. If there is no TV mount or lighting then the installation is complete.

10

If a wall panel's face is protruding beyond another wall panel (Figure H) then both affected panels need to be taken down and a flat bracket attached to the panel that is protruding with #8 X 1" screws to the back overhanging the edge at the top and bottom (Figure I), so it pulls the wall panel it's next to out flush with it when they are hung back up. (Figure J)

Figure H

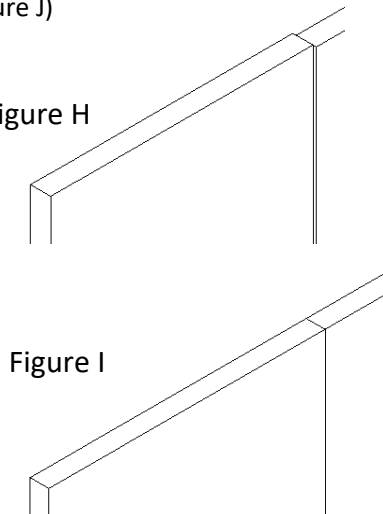


Figure I

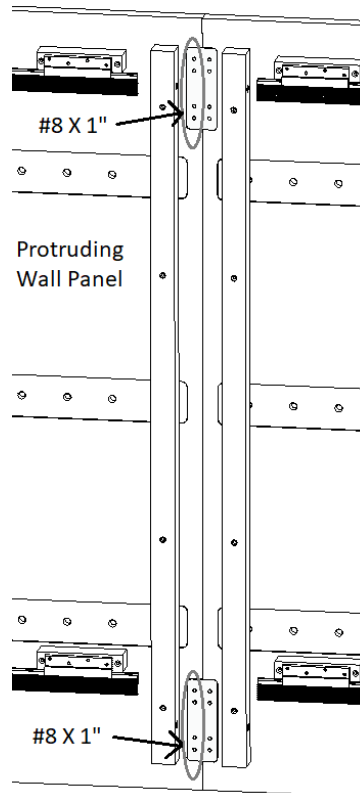


Figure J

NATIONAL

Furniture with Personality™

Telephone 800.482.1717
Fax 812.482.8800
www.NationalOfficeFurniture.com

Part # 2917726
Rev. C

Printed in U.S.A.
© 2015 Kimball International, Inc.

Proper product installation, in accordance with these instructions, is the responsibility of the installing agent. If you have any questions concerning these instructions, please call National Customer Service 800.482.1717.

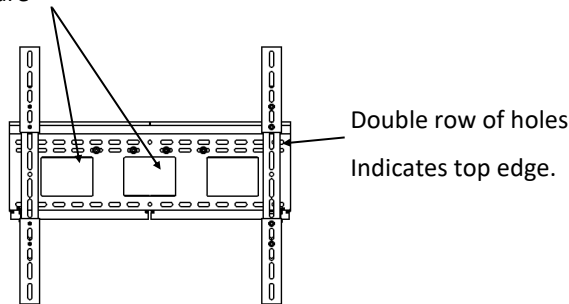
Assembly Instruction

11

For TV/Media Wall: If the wall outlet is located behind the wall panel a wall saver plug power strip will need to be plugged in before the TV wall panel is hung and then fed through the cutout as the panel is hung. Attach horizontal AVTEQ TV mount rails to wall using (4) 5/16"-18 x 1" panhead screws. See Figure E for correct orientation. Spread AVTEQ mount to desired width. To secure rails, use 3/16" drill bit through wall face to pre-bore holes for (4) M8 x 70 hex head lag screws and square spacers that come with TV Mount. **Lag screws must be installed between 3" to 16" away from edge of wall.** Then follow AVTEQ instruction sheet to complete TV mount installation. **Note: Most TV mount hardware will be discarded.**

Note: Pre-bored holes in wall are offset. One screw through top row, one through second row.

Figure K: Correct orientation of TV Mount



Tessera Wall Panel

NATIONAL

Furniture with Personality®

Telephone 800.482.1717
Fax 812.482.8800
www.NationalOfficeFurniture.com

Part # 2917726
Rev. C

Printed in U.S.A.
© 2015 Kimball International, Inc.

Proper product installation, in accordance with these instructions, is the responsibility of the installing agent. If you have any questions concerning these instructions, please call National Customer Service 800.482.1717.

Assembly Instruction

WALL PANEL LIGHTING IMPORTANT NOTES:

If the light driver outlet location is located behind the wall panel then the power cord of the driver will need to be plugged in before the wall panel is hung.

The beginning of the lighting should begin at the corner closest to where the driver will plug into the outlet.

Any desired configuration: 1 side, 2 side, 3 side, or all sides of a wall panel lighted can be achieved, but it is crucial to lay out the strips and corner connectors in the general layout before application to ensure lengths are correct and that ALL positives of the circuit line up.

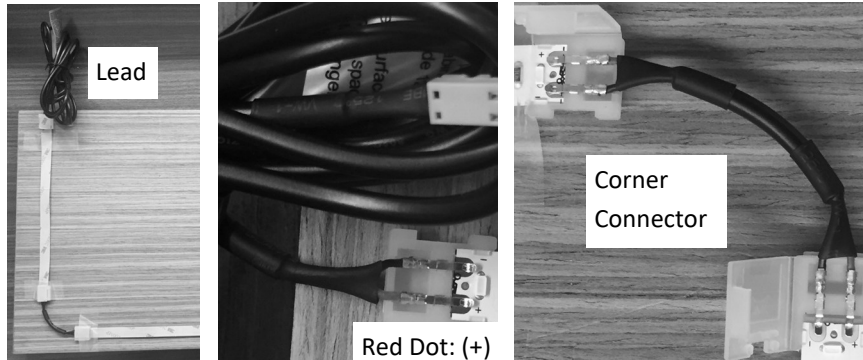


Figure L– Layout the cut strips before adhering to make sure all lengths and positives line up at each connecting point

12

From the light spool, cut on the black dotted line the desired lengths of light to inset the edge of the wall panel by 2 to 3 inches. Lay-out the cut-to-length pieces and make sure all the positives (red dot on lead/connector) line up from the beginning of where the lead starts to the end of the string of lights.

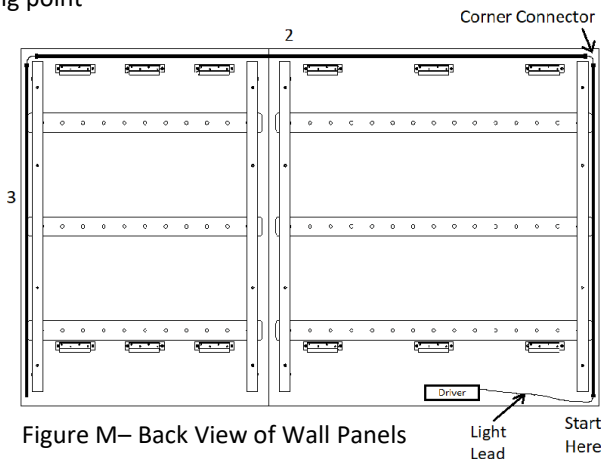


Figure M– Back View of Wall Panels

13

Once the desired lengths are cut and laid out like shown above in the example of Figure M, confirm that on the corner connectors the positive on the light lead will match up with the red dot/wire on the connector (Figure N). If it doesn't, flip the strand of light around end-to-end, so it does. Once everything is in place peel off the tape from the light strips and connectors as you go and apply strand 1, corner connector 1, strand 2, corner connector 2, strand 3, and then the lead to the end of strand 1.

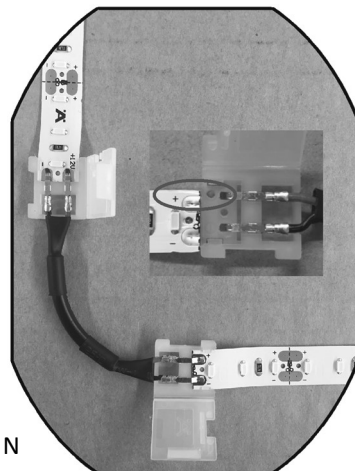


Figure N

Proper product installation, in accordance with these instructions, is the responsibility of the installing agent. If you have any questions concerning these instructions, please call National Customer Service 800.482.1717.

Tessera Wall Panel

NATIONAL

Furniture with Personality[®]

Telephone 800.482.1717
Fax 812.482.8800
www.NationalOfficeFurniture.com

Part # 2917726
Rev. C

Printed in U.S.A.
© 2015 Kimball International, Inc.

Assembly Instruction

Tessera Wall Panel

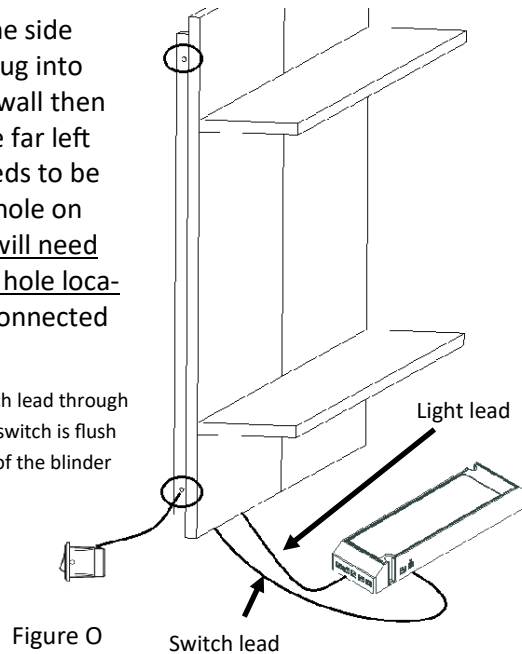
14

Once all of the lighting components have been adhered to the back of the wall panel the lead can be plugged into the driver and then the driver plugged into the outlet to confirm the lights work. If they don't all light up confirm all positives line up with red dots or that no more than 20 feet of light was chained together on one lead or no more than 49 feet of light plugged into the driver.

15

The switch will be installed on the side closer to where the driver will plug into the outlet. i.e. Outlet left of the wall then the switch will be installed in the far left wall blinder. The switch lead needs to be fed through the upper or lower hole on the blinder (Switch hole sticker will need to be removed off the preferred hole location of customer) and the lead connected to the driver.

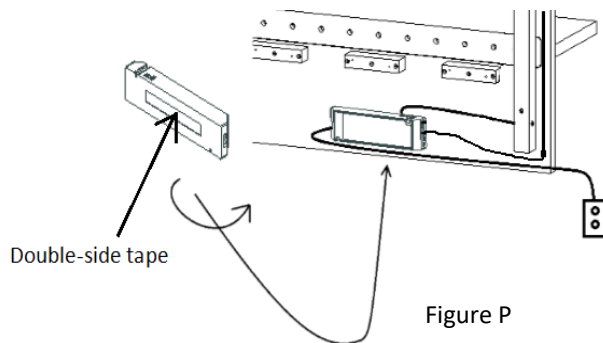
Feed the switch lead through hole until the switch is flush with the face of the blinder



16

The driver will be double-sided taped to the back of the wall panel close to where the outlet is located.

Put the non-taped side flush with the architectural wall and slide it up the wall until completely hidden behind the wall panel and then push it forward to bond the driver to the back of the wall panel.



Note: Wires will need to be bundled, but not bent or pinched, and tucked behind the wall using double side tape as well.

Proper product installation, in accordance with these instructions, is the responsibility of the installing agent. If you have any questions concerning these instructions, please call National Customer Service 800.482.1717.

NATIONAL

Furniture with Personality™

Telephone 800.482.1717
Fax 812.482.8800
www.NationalOfficeFurniture.com

Part # 2917726
Rev. C

Printed in U.S.A.
© 2015 Kimball International, Inc.

APPENDIX

Assembly Instruction

Tessera Wall Panel

APPENDIX		
Recommended Fastener	Size	Model #
Steel Stud: (1/2" to 3/4" drywall)		
Hilti HTB-2 Anchor	1/4-20 X 2 1/2" Grade 5, or Grade 5 equivalent bolt with minimum head height of .134"	374494
Wood Stud: (1/4" to 1/2" drywall) (meets or exceeds ANSI/ASME B18.6.4 and SAE J933)		
Panhead sheet metal screw	#10-2 1/4" PHP	

Dry Wall (Aux. Fastener): (1/2" to 3/4" drywall)		
Hilti HTB-2 Anchor	1/4-20 X 2 1/2" Grade 5, or Grade 5 equivalent bolt with minimum head height of .134"	374494

Solid Masonry:		
Crown Bolt / w lag shield	1/4" X 1 1/2"	
Buildex Tapcon concrete anchor screw	1/4" X 2 3/4"	24385
Masonry Block:		
Hilti HTB-2 Anchor	1/4-20 X 2 1/2" Grade 5, or Grade 5 equivalent bolt with minimum head height of .134"	374494
Crown Bolt / w lag shield	1/4" X 1 1/2"	
Buildex Tapcon concrete anchor screw	1/4" X 2 3/4"	24385

Figure Q

MASONRY MOUNT				
DRYWALL MOUNT				
Panel Width (All heights) (in.)	Min # of stud mounted fasteners / Row	Min # of Aux. Drywall fasteners / Row	Total / Per Z-clip section (min.)	Total # of fasteners per panel (min.)
24"	1	1	2	4
30"	1	2	3	6
36"	1	3	4	8
42"	2	3	5	10
48"	2	3	5	10
54"	2	4	6	12
60"	2	4	6	12

Figure R

Panel Width (All heights) (in.)	Load Rating (Lam/Veneer Pnl) (lbs.)	Load Rating (Stone Panels) (lbs.)
24"	237	217
30"	368	343
36"	499	470
42"	631	597
48"	618	579
54"	750	706
60"	738	688

Figure S

Correct type and qty. of fasteners must be used to mount wall panels to achieve load rating listed.

Proper product installation, in accordance with these instructions, is the responsibility of the installing agent. If you have any questions concerning these instructions, please call National Customer Service 800.482.1717.

NATIONAL

Furniture with Personality®

Telephone 800.482.1717
Fax 812.482.8800
www.NationalOfficeFurniture.com

Part # 2917726
Rev. C

Printed in U.S.A.
© 2015 Kimball International, Inc.