

## Assembly Instruction

**1**

Figure A below shows the suggested mounting location for the 'A' leg with respect to the edges of a worksurface. The dimensions are always held off the edge and not dependent on the location of the other leg.

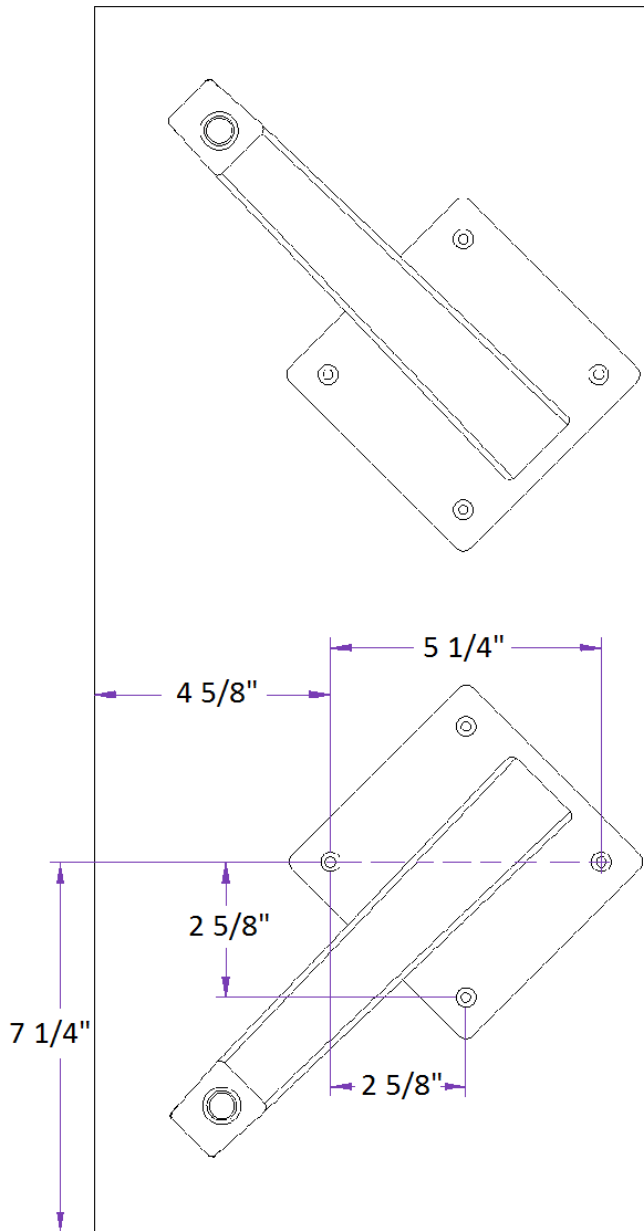


Figure A

### Tessera "A" Base Legs

#### Package Contents

Component.....	Qty
'A' Leg	2
#10 x 1" Panhead Screws	8

#### Tools Required

- Screw Gun
- Phillips Head Bit
- Tape Measure

**NATIONAL**

*Furniture with Personality\**

Telephone 800.482.1717  
 Fax 812.482.8800  
[www.NationalOfficeFurniture.com](http://www.NationalOfficeFurniture.com)

Part # 2921491  
 Rev. -

Printed in U.S.A  
 © 2015 Kimball International, Inc.

Proper product installation, in accordance with these instructions, is the responsibility of the installing agent. If you have any questions concerning these instructions, please call National Customer Service 800.482.1717.