

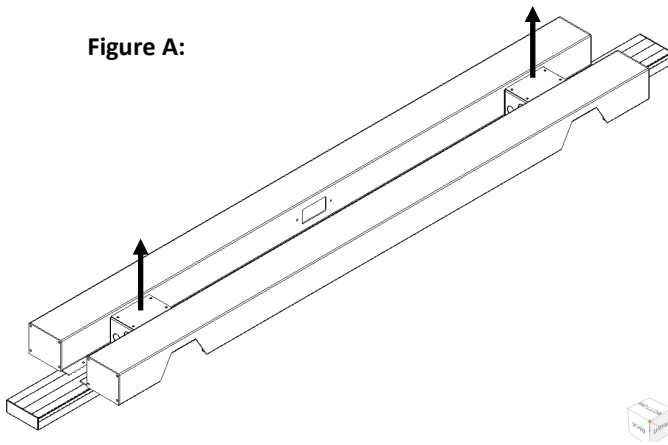
Assembly Instruction

Note: This instruction will cover the assembly of hardwire fixed height center beams.

Note: Do not attach worksurfaces to the fixed height frame before attaching powered beam assembly. Frame must be fully set before attaching beam.

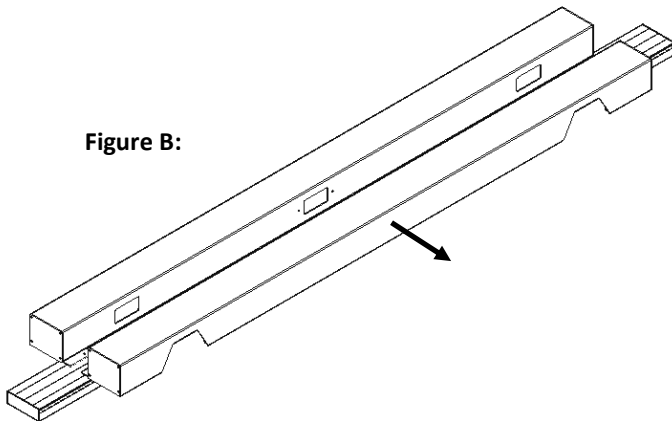
- 1 With the center beam upside down. Remove both hardwire junction boxes from the center beam as shown in **Figure A**.

Figure A:



- 2 Remove the four screws securing one U-Channel to the center beam as shown in **Figure B**.

Figure B:



- 3 Have a licensed electrician wire and install the junction boxes on the center beam in the desired configuration. Re-install the U-Channel and junction box / cover in reverse order of steps 1 & 2.

Alloy
Fixed Height
Center-Beam
Hardwire

Package Contents

Hardware	Qty
Self Drilling Screws	4

Tools Required
Screw Driver
#2 Phillips Bit

NATIONAL

Furniture with Personality®

Telephone 800.482.1717
Fax 812.482.8800
www.NationalOfficeFurniture.com

Part # 2931595
Rev. -

Printed in U.S.A.
© 2014 Kimball International, Inc.

Proper product installation, in accordance with these instructions, is the responsibility of the installing agent. If you have any questions concerning these instructions, please call National Customer Service 800.482.1717.

Assembly Instruction

- 4** Place the beam onto the frame beam mount brackets as shown in **Figure C**. Set the distance from the end of the beam to the outside end leg as shown in **Figure D**.

Note: When mounting beams to a Start, Mid, or End unit location additional beams flush against the first beam mounted on the end of the run. Before adding additional beams complete this entire assembly instruction.

Figure C:

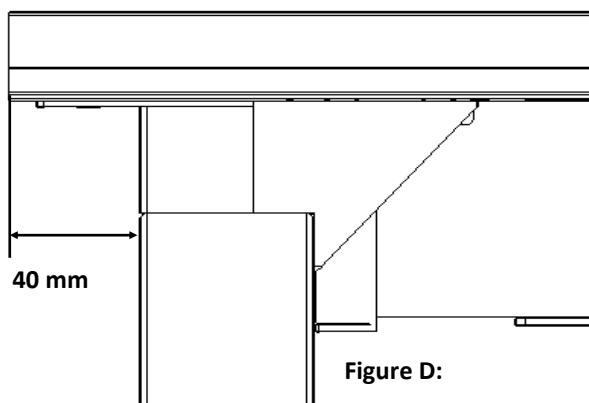
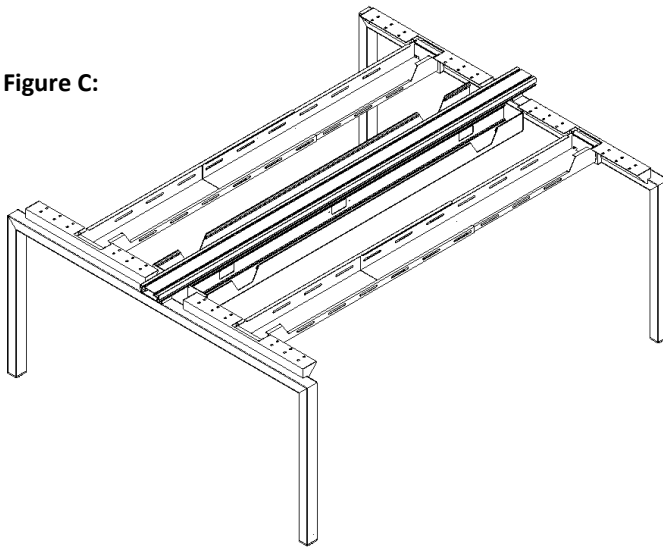


Figure D:

Alloy
Fixed Height
Center-Beam
Hardwire

Package Contents

Hardware	Qty
Self Drilling Screws	4

Tools Required
Screw Driver
#2 Phillips Bit

NATIONAL
Furniture with Personality™

Telephone 800.482.1717
Fax 812.482.8800
www.NationalOfficeFurniture.com

Part # 2931595
Rev. -

Printed in U.S.A.
© 2014 Kimball International, Inc.

Proper product installation, in accordance with these instructions, is the responsibility of the installing agent. If you have any questions concerning these instructions, please call National Customer Service 800.482.1717.

Assembly Instruction

5

From the bottom of the beam align the v grooves with the holes in the beam mounting brackets as shown in **Figure B**. Using the provided self-drilling screws secure the beam to beam mounting brackets. It is recommended to use a clamp and pads when fastening the beam to help prevent misalignment.

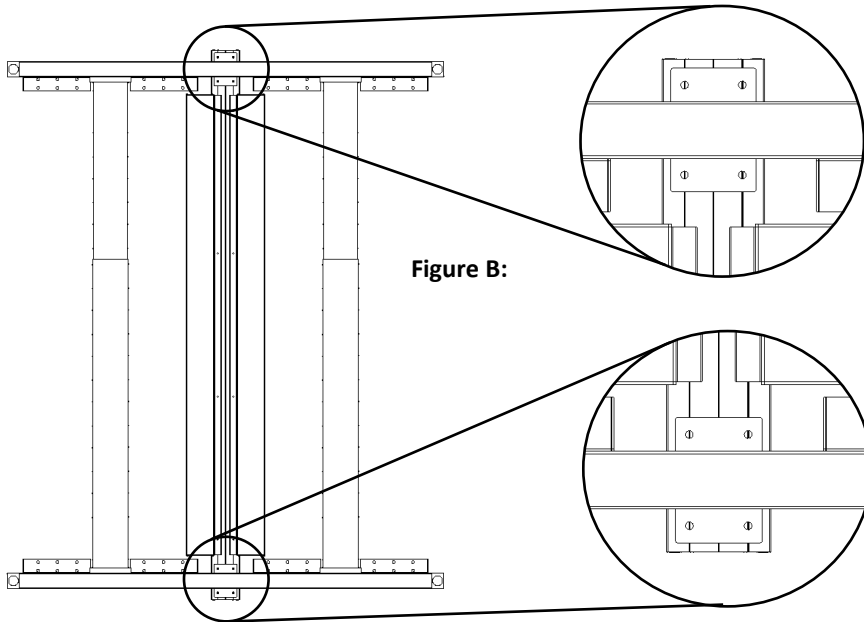


Figure B:

Alloy
Fixed Height
Center-Beam
Hardware

Package Contents

Hardware	Qty
Self Drilling Screws	4

Tools Required
Screw Driver
#2 Phillips Bit

NATIONAL

Furniture with Personality®

Telephone 800.482.1717
Fax 812.482.8800
www.NationalOfficeFurniture.com

Part # 2931595
Rev. -

Printed in U.S.A
© 2014 Kimball International, Inc.

Proper product installation, in accordance with these instructions, is the responsibility of the installing agent. If you have any questions concerning these instructions, please call National Customer Service 800.482.1717.