

Assembly Instruction

Note: This assembly instruction will cover all configurations of Alloy fixed height double bases.

- 1** Assemble the two adjustable upper channels as shown in **Figure A**. Using the supplied handle and lock plate roughly set the length of the adjustable channel to the desired surface size and configuration ordered in **Figure B**. Repeat Step 1 for the second adjustable upper channel supplied.

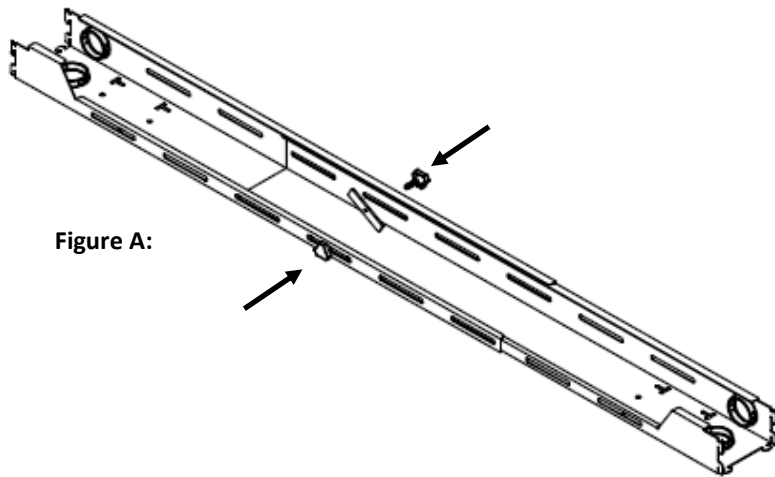


Figure A:

Figure B:

Surface Size	Freestanding:	Start:	Mid:	End:
48	39 1/2"	42"	44 1/2"	42"
54	45 1/2"	48"	50 1/2"	48"
60	51 1/2"	54"	56 1/2"	54"
66	57 1/2"	60"	62 1/2"	60"
72	63 1/2"	66"	68 1/2"	66"

- 2** Using the tabs as shown in **Figure C**, attach one side of the adjustable upper channel to the first end leg.

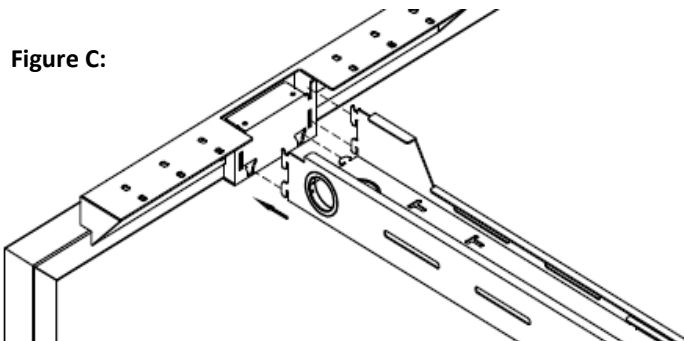


Figure C:

Proper product installation, in accordance with these instructions, is the responsibility of the installing agent. If you have any questions concerning these instructions, please call National Customer Service 800.482.1717.

Alloy Fixed Height Double Bases

Package Contents

Hardware	Qty
M6 x 12	8
Handle	4
Lock Plate	4
Mounting Bracket	4
Woodscrews	8

Tools Required

4mm Allen Wrench
Screw Driver
#2 Phillips Bit

NATIONAL

Furniture with Personality™

Telephone 800.482.1717
Fax 812.482.8800
www.NationalOfficeFurniture.com

Part # 2951091
Rev. A

Printed in U.S.A.
© 2014 Kimball International, Inc.

Assembly Instruction

- 3** Verify the upper channel is fully seated as shown in **Figure D**. Using the mounting bracket and M6 x 12 screws provided, secure the adjustable upper channel to the end leg as shown in **Figure E**.

Figure D:

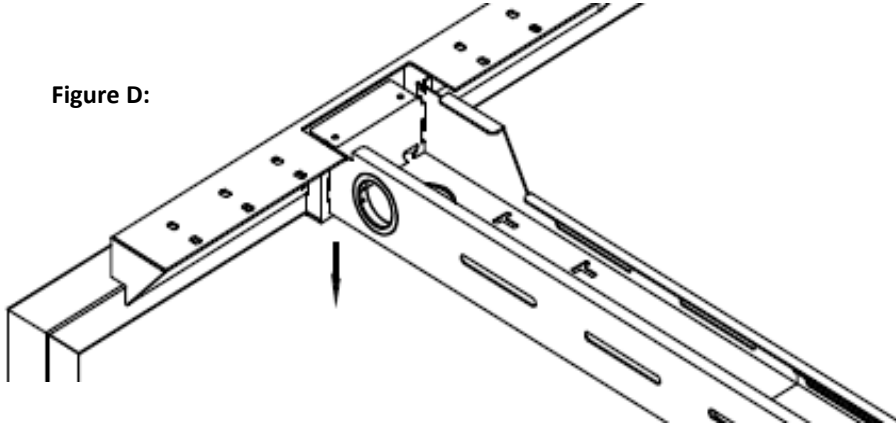
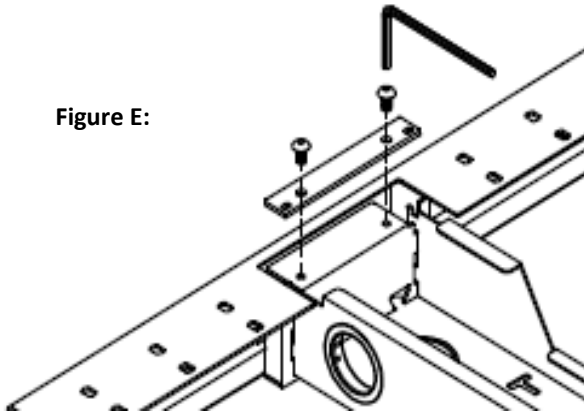


Figure E:



- 4** Repeat steps 2-3 for all remaining adjustable upper channels and connection points. Once complete, the entire frame should be constructed to your desired configuration.

Alloy Fixed Height Double Bases

Package Contents

Hardware	Qty
M6 x 12	8
Handle	4
Lock Plate	4
Mounting Bracket	4
Woodscrews	8

Tools Required

4mm Allen Wrench
Screw Driver
#2 Phillips Bit

NATIONAL

Furniture with Personality®

Telephone 800.482.1717
Fax 812.482.8800
www.NationalOfficeFurniture.com

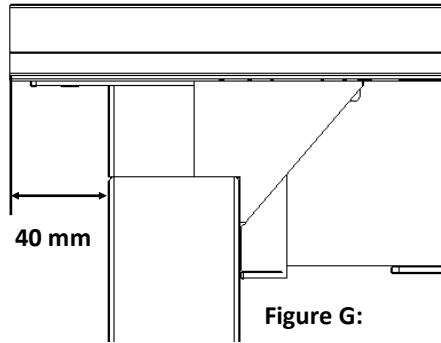
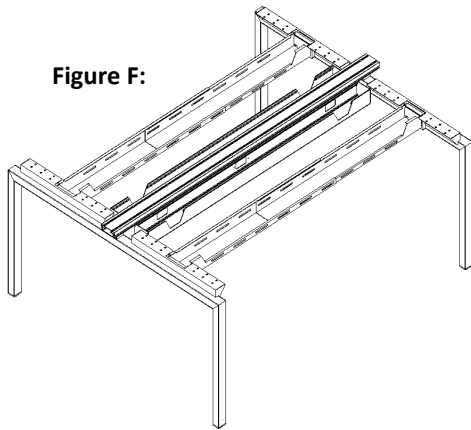
Part # 2951091
Rev. A

Printed in U.S.A.
© 2014 Kimball International, Inc.

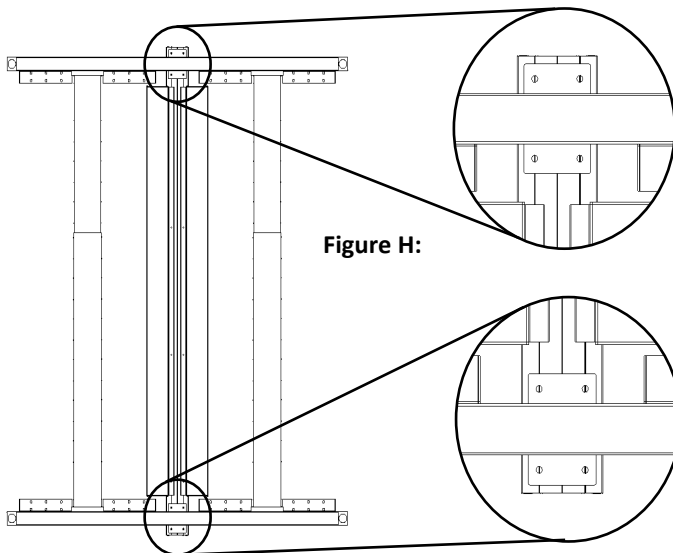
Proper product installation, in accordance with these instructions, is the responsibility of the installing agent. If you have any questions concerning these instructions, please call National Customer Service 800.482.1717.

Assembly Instruction

- 5** Place the center beam onto the frame beam mount brackets as shown in **Figure F**. Set the distance from the end of the beam to the outside end leg as shown in **Figure G**. (powered and non-powered beam are installed in the same method)



- 6** From the bottom of the beam align the two outside v grooves with the holes in the beam mounting brackets as shown in **Figure H**. Using the provided self-drilling screws, secure the beam to beam mounting brackets on **one end**. It is recommended to use a clamp and pads when fastening the beam to help prevent misalignment.



Note: When mounting beams additional beams to a Mid or End unit, locate additional beams flush against the first beam mounted on the Start unit.

Proper product installation, in accordance with these instructions, is the responsibility of the installing agent. If you have any questions concerning these instructions, please call National Customer Service 800.482.1717.

Alloy
Fixed Height Double
Bases

Package Contents

Hardware	Qty
M6 x 12	8
Handle	4
Lock Plate	4
Mounting Bracket	4
Woodscrews	8

Tools Required

4mm Allen Wrench
Screw Driver
#2 Phillips Bit

NATIONAL

Furniture with Personality™

Telephone 800.482.1717
Fax 812.482.8800
www.NationalOfficeFurniture.com

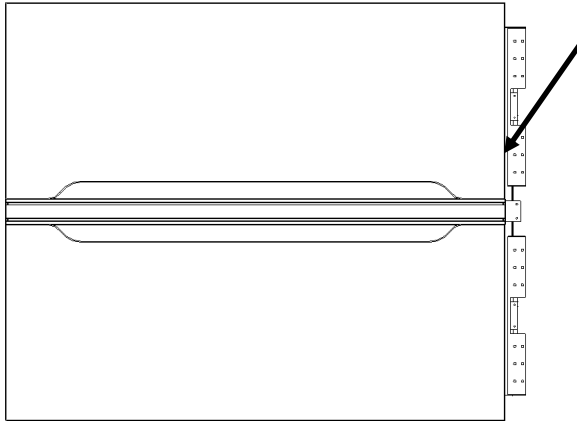
Part # 2951091
Rev. A

Printed in U.S.A.
© 2014 Kimball International, Inc.

Assembly Instruction

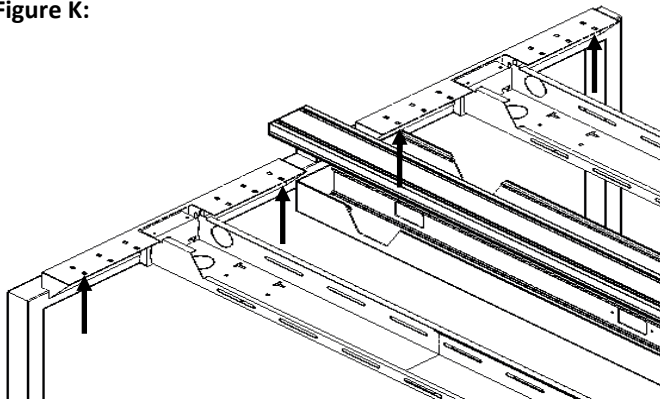
- 7** Pull the adjustable upper channels / frame into final position. Secure the remaining end of the center beam. When attaching to an end leg use the dimensions shown in **Figure G**. When attaching to a mid leg, center the end of the beam in the center of the mid leg as shown in **Figure J**.

Figure J:



- 8** Attach the worksurfaces to the frame using the provided woodscrews. The surface should be flush with the end of the center beam and tight against it in the center. Secure each worksurface by placing one screw through each side of the mounting plate as shown in **Figure K**.

Figure K:



Note: When securing surfaces verify that all worksurfaces are tight with no gaps between the center beam or any other ganged surfaces before fully securing.

- 9** Repeat steps 5—8 for all remaining units in the run. Once all surfaces are secured. Fully tighten down the handle and lock plates from Step 1 on all adjustable upper channels.

Proper product installation, in accordance with these instructions, is the responsibility of the installing agent. If you have any questions concerning these instructions, please call National Customer Service 800.482.1717.

Alloy Fixed Height Double Bases

Package Contents

Hardware	Qty
M6 x 12	8
Handle	4
Lock Plate	4
Mounting Bracket	4
Woodscrews	8

Tools Required

4mm Allen Wrench
Screw Driver
#2 Phillips Bit

NATIONAL

Furniture with Personality™

Telephone 800.482.1717
Fax 812.482.8800
www.NationalOfficeFurniture.com

Part # 2951091
Rev. A

Printed in U.S.A.
© 2014 Kimball International, Inc.