

Weli Assembly Instruction

1

With the starter unit secure, an add-on or end unit (shown) should be located so that the seat rails will slide into the mating rail on the outside of the chair.

Note: seat panels and foam have been removed for clarity.

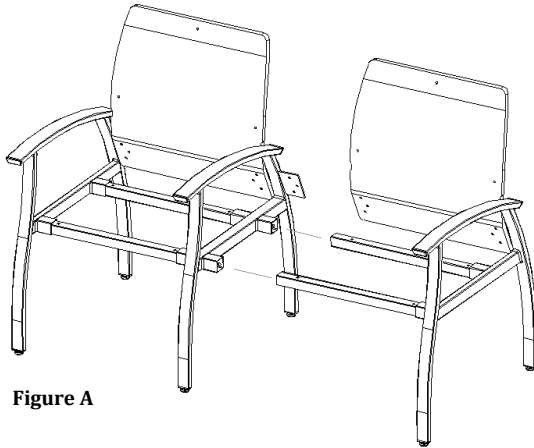


Figure A

2

Move the add-on unit into position so that the holes in the seat rails are aligned with the slots in the mounting rails. Assemble the rails using the (4) 1/4-20 X 5/8" button head screws into the threaded holes. Ensure that the underside of the screws is flush and tight to the face of the mounting rails.

Figure B

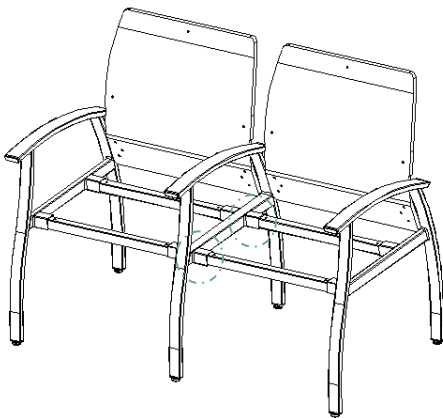
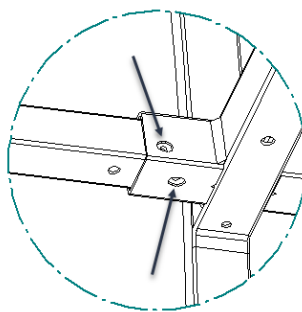


Figure C



Product Line
NOF HC Guest Seating

Recommend Tools

- 5/32" Hex Key or drive

Package Contents Qty.

- 1/4-20 X 3/4" flat head socket cap screw 6
- 1/4-20 X 5/8" button head socket cap screw 4

NATIONAL

Furniture with Personality™

Telephone 800.482.1717
Fax 812.482.8800
www.NationalOfficeFurniture.com

Part # 3045797
Rev. -

Printed in U.S.A.
© 2013 Kimball International, Inc.

Proper product installation, in accordance with these instructions, is the responsibility of the installing agent. If you have any questions concerning these instructions, please call National Customer Service 800.482.1717.

Weli Assembly Instruction

3

Attach the plywood back to the starter frame using the (3) 1/4-20 X 3/4" flat head screws. Ensure the holes are aligned and the screws should seat in the countersinks on the mounting plate.

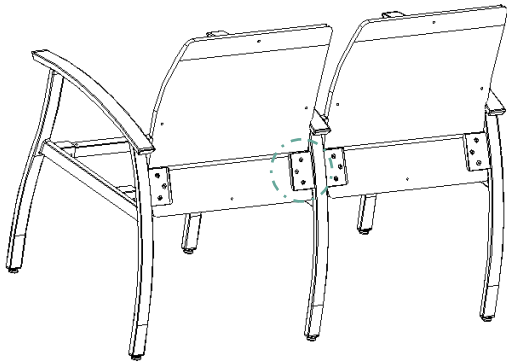


Figure D

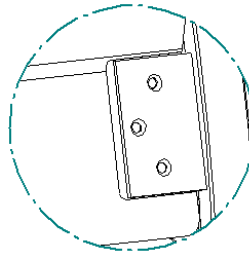


Figure E

NATIONAL

Furniture with Personality™

Telephone 800.482.1717
Fax 812.482.8800
www.NationalOfficeFurniture.com

Part # 3045797
Rev. -

Printed in U.S.A.
© 2013 Kimball International, Inc.

Proper product installation, in accordance with these instructions, is the responsibility of the installing agent. If you have any questions concerning these instructions, please call National Customer Service 800.482.1717.