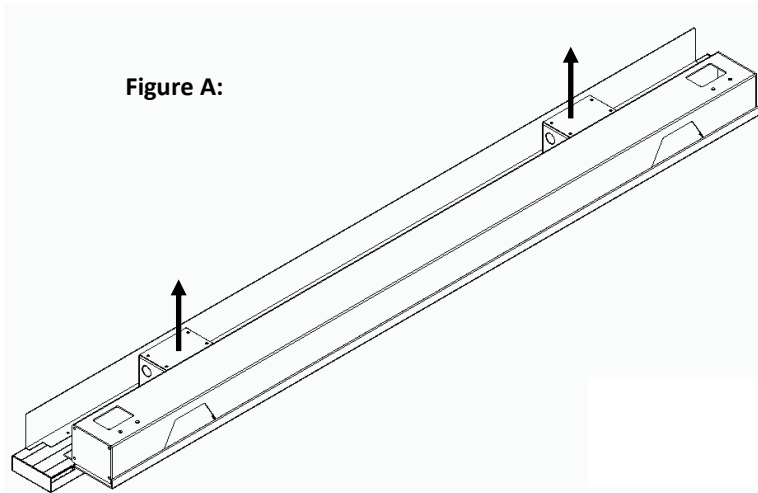
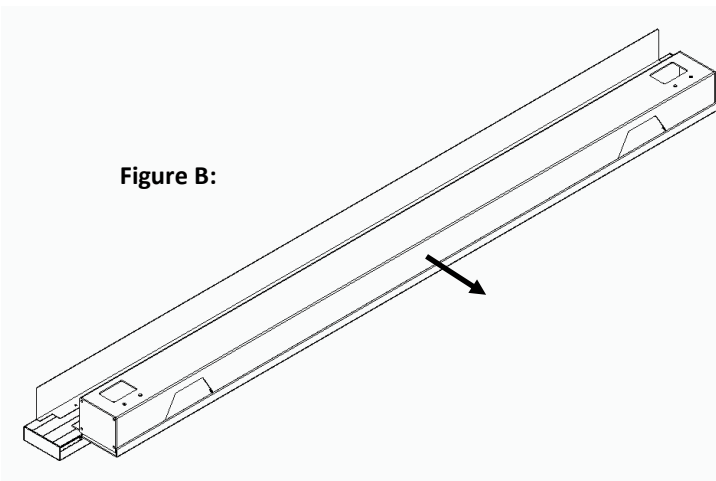


## Assembly Instruction

- 1 With the center beam upside down. Remove both hardwire junction boxes from the center beam as shown in **Figure A**.



- 2 Remove the four screws securing the U-Channel to the center beam as shown in **Figure B**.



- 3 Have a licensed electrician wire and install the junction boxes on the center beam in the desired configuration. Re-install the U-Channel and junction box / cover in reverse order of steps 1 & 2.

### Alloy Adjustable Height Single Center-Beam Hardwire

### Package Contents

Hardware	Qty
M8 x 12 Screw	4
Self Driving Screw	4

### Tools Required

5mm Allen Wrench  
Screw Driver  
#3 Phillips Driver

# NATIONAL

Furniture with Personality®

Telephone 800.482.1717  
Fax 812.482.8800  
[www.NationalOfficeFurniture.com](http://www.NationalOfficeFurniture.com)

Part # 3057148  
Rev. -

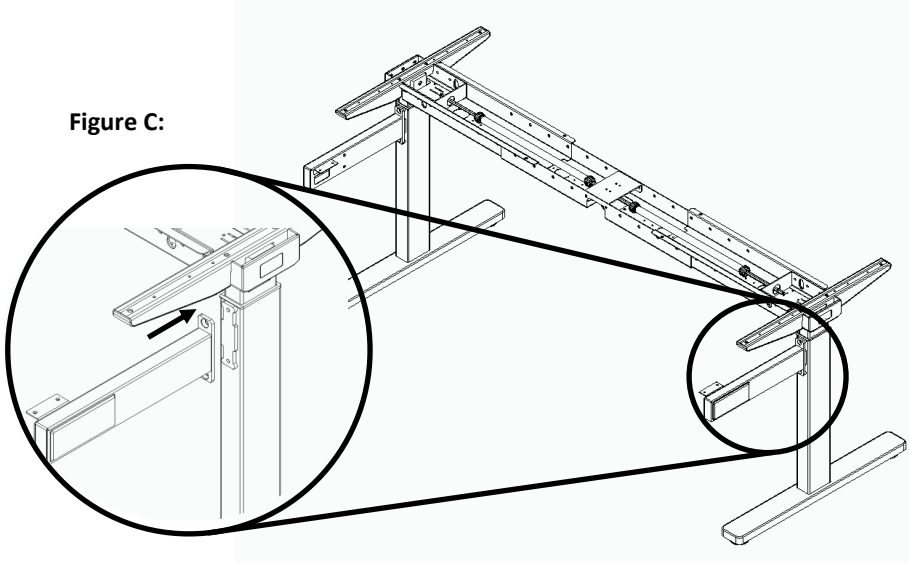
Printed in U.S.A.  
© 2014 Kimball International, Inc.

Proper product installation, in accordance with these instructions, is the responsibility of the installing agent. If you have any questions concerning these instructions, please call National Customer Service 800.482.1717.

## Assembly Instruction

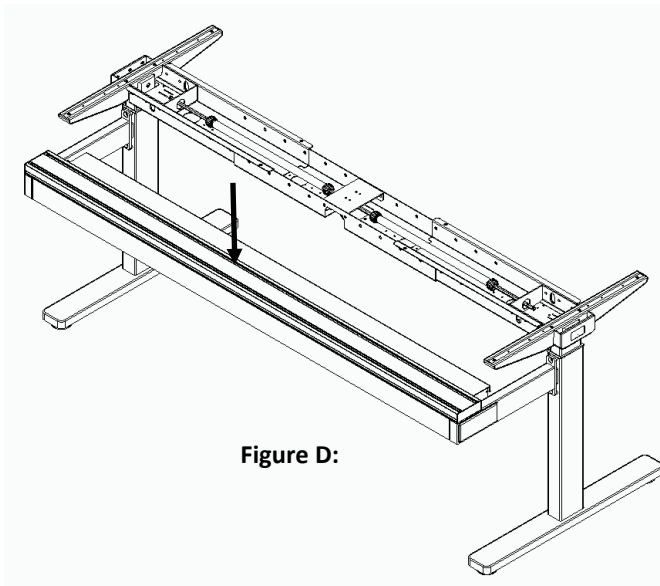
- 4** Attach each crosslink to the already assembled single depth station using the M8x12 Flat Head screws as shown in **Figure C**.

Figure C:



- 5** Place the beam between the crosslink tubes as shown in **Figure D**.

Figure D:



Proper product installation, in accordance with these instructions, is the responsibility of the installing agent. If you have any questions concerning these instructions, please call National Customer Service 800.482.1717.

**Alloy**  
Adjustable Height  
Center-Beam  
Hardwire

**NATIONAL**

Furniture with Personality™

Telephone 800.482.1717  
Fax 812.482.8800  
[www.NationalOfficeFurniture.com](http://www.NationalOfficeFurniture.com)

Part # 3057148  
Rev. -

Printed in U.S.A.  
© 2014 Kimball International, Inc.

## Assembly Instruction

- 6** From the bottom of the beam align the two outside v grooves with the four holes in the beam mounting brackets as shown in **Figure E**. Using the four provided self-drilling screws secure the beam to the crosslink tubes. Verify the beam is centered length wise between the crosslink tubes on both ends. It is recommended to use a clamp and pads when fastening the beam to help prevent misalignment.

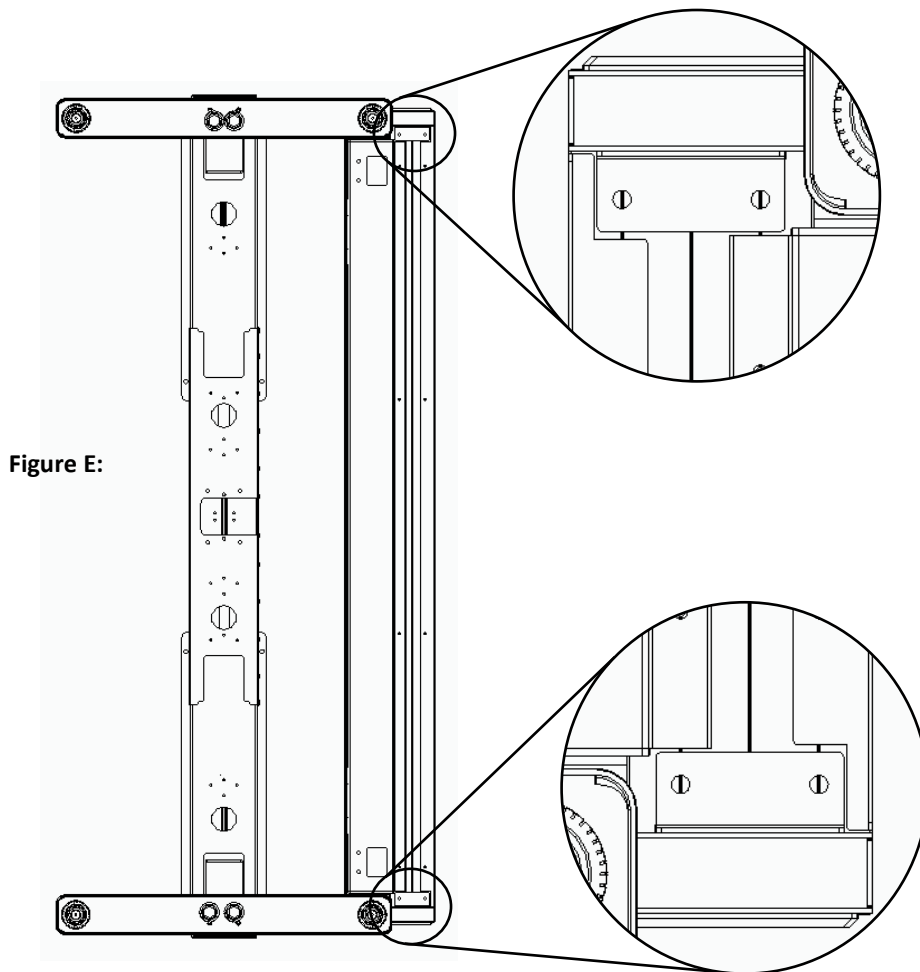


Figure E:

**NATIONAL**

Furniture with Personality™

Proper product installation, in accordance with these instructions, is the responsibility of the installing agent. If you have any questions concerning these instructions, please call National Customer Service 800.482.1717.

Telephone 800.482.1717  
Fax 812.482.8800  
[www.NationalOfficeFurniture.com](http://www.NationalOfficeFurniture.com)

Part # 3057148  
Rev. -

Printed in U.S.A.  
© 2014 Kimball International, Inc.