

Assembly Instruction

Package Contents:

- (1) 42" Jumper Cable

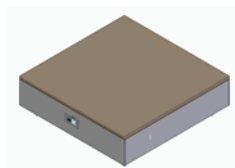
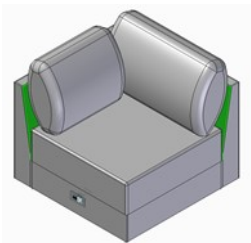
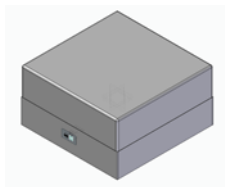
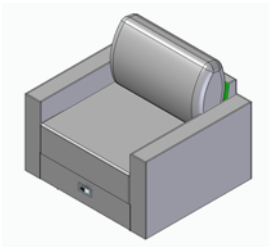


- (1) 4-Way H Connector Block



Note:

- **Depending on the size and layout of installation, it may not be necessary to use all components.**
- It is recommended the power + USB grommet(s) are installed into each upholstered unit prior to making all electrical connections.
- For ease of assembly, it is recommended that all electrical connections are made prior to ganging units together.
- NACEL4KTA1 – Electrical Kit #1 is to be used to
 - A. Connect Power + USB grommet for all 1-seat, corner, ottoman and end table models:
 - B. Pass power thru for all 1-seat, corner, ottoman and end table models, as above.



Collette Power Distribution Assembly Electrical Kit #1

Recommended Tools

- None

Package Contents Qty.

- 42" Jumper Cable 1
- 4-Way H Connector Block 1

NATIONAL

Furniture with Personality®

Telephone 800.482.1717
Fax 812.482.8800
www.NationalOfficeFurniture.com

Part # 3060238
Rev. -

Printed in U.S.A.
© 2013 Kimball International, Inc.

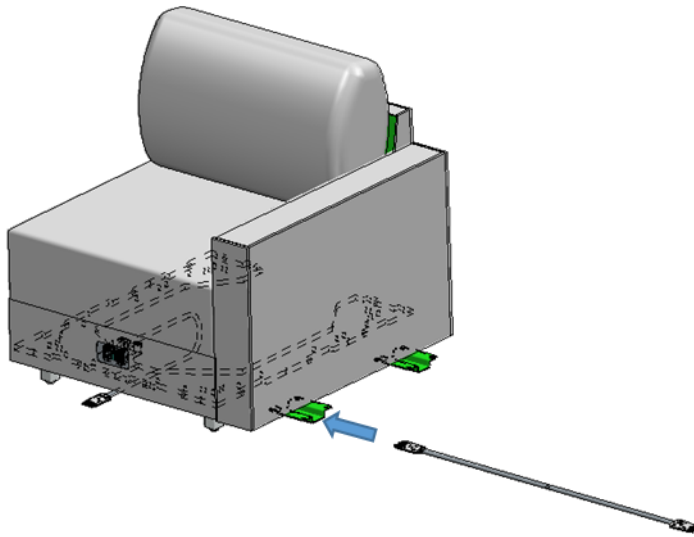
Proper product installation, in accordance with these instructions, is the responsibility of the installing agent. If you have any questions concerning these instructions, please call National Customer Service 800.482.1717.

Assembly Instruction

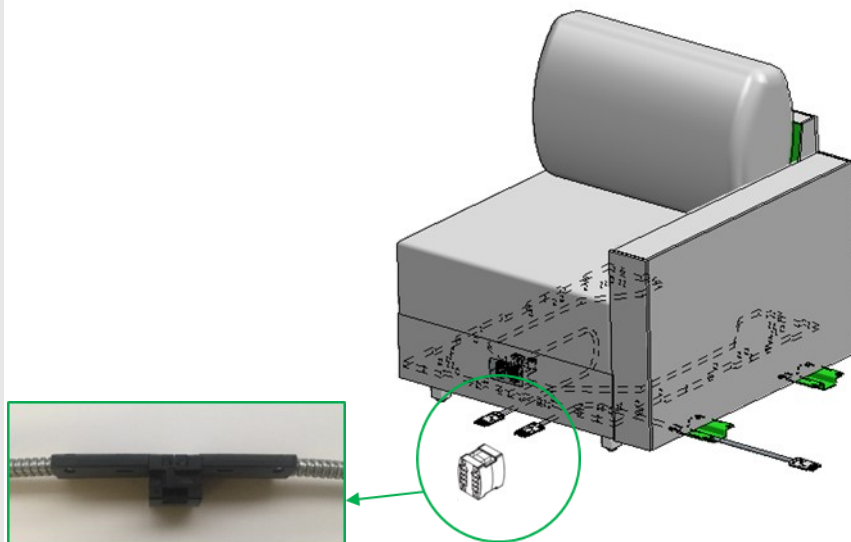
Collette Power Distribution Assembly Electrical Kit #1

A. Instructions for connecting Power + USB grommet

1. Pull cable end of the power + USB grommet out of the bottom of the upholstered unit. If the unit is to pass power to another ganged unit, pull the 42" long electrical jumper thru the ganging bracket as shown in the illustration below.



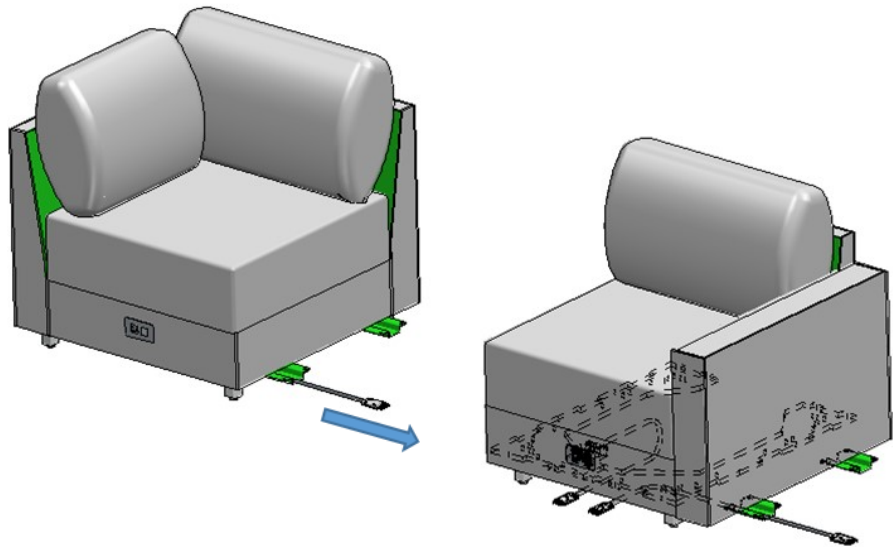
2. Connect the grommet cable lead and the 42" long electrical jumper into the top location of the 4-Way H block connector. See the illustration below.



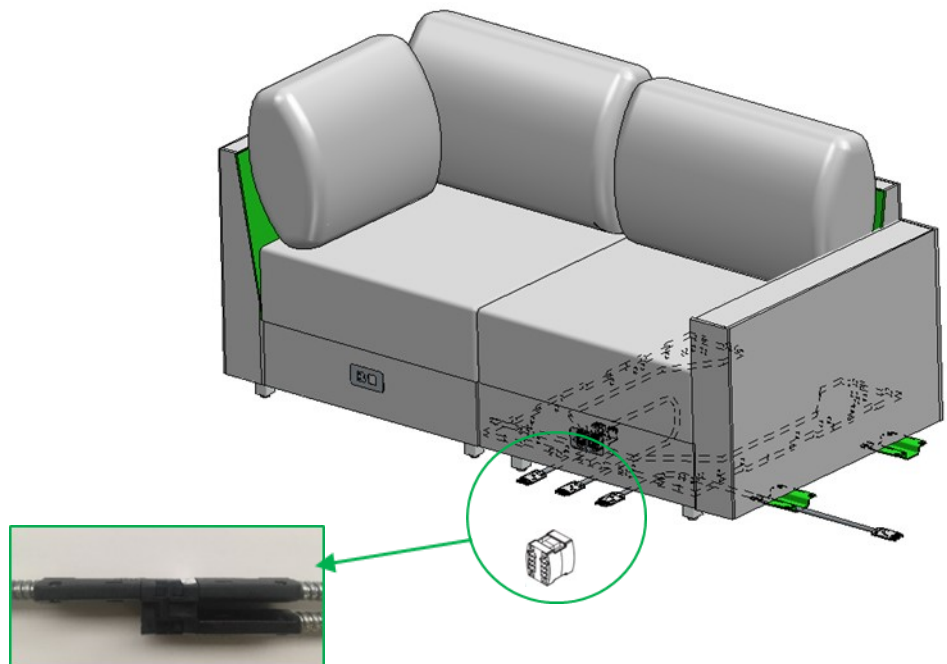
Assembly Instruction

Collette Power Distribution Assembly Electrical Kit #1

3. If the unit is to receive power from another ganged unit, pull the electrical jumper thru the ganging bracket as shown in the illustration below.



4. Connect the electrical jumper to the 4-Way H Block Connector as shown in the illustration below.



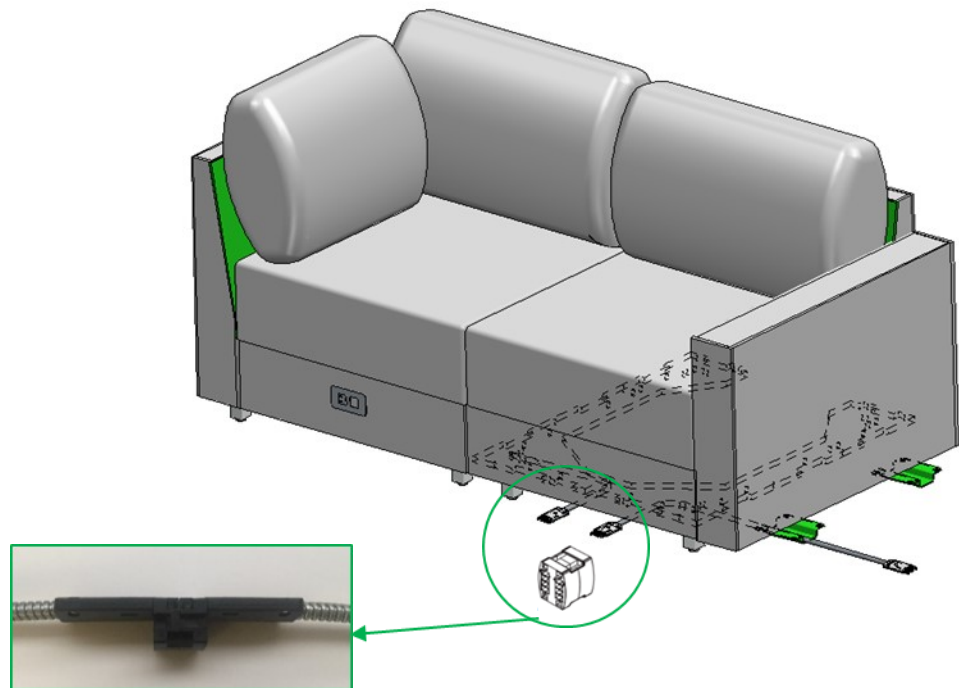
Assembly Instruction

Collette Power Distribution Assembly Electrical Kit #1

5. If the unit is to receive power from power entry cable, refer to the power entry installation assembly sheet included with the power entry cable.
6. Position the entire connection up inside the frame so cables are not visible beneath each unit.
7. Align, orient, level each unit in the desired final position.

B. Instructions for passing power thru Upholstered Units

1. If power is only to pass thru the unit to another unit, connect the incoming jumper to the 42" long electrical pass thru jumper with the 4-Way H-Block as illustrated below:



2. Position the connection up inside the unit so cables are not visible beneath each unit.
3. If the unit is to receive power from power entry cable, refer to the power entry installation assembly sheet included with the power entry cable.
4. Align, orient, level each unit in the desired final position.