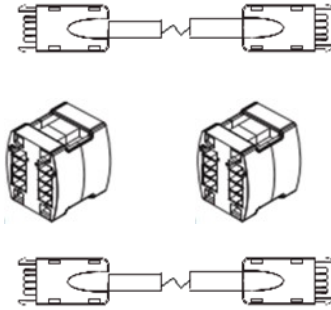


## Assembly Instruction

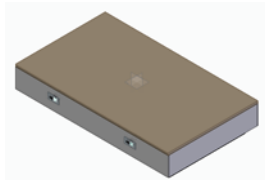
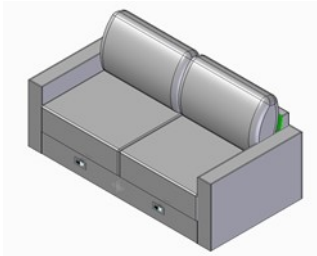
### Package Contents:

- (1) 42" Jumper Cable
- (2) 4-Way H Connector Block
- (1) 20" Jumper Cable



### Note:

- **Depending on the size and layout of installation, it may not be necessary to use all components.**
- It is recommended the power + USB grommet(s) are installed into each upholstered unit prior to making all electrical connections.
- For ease of assembly, it is recommended that all electrical connections are made prior to ganging units together.
- NACEL4KTA2 – Electrical Kit #2 is to be used to
  - A. Connect Power + USB grommet for all 2-seat and magazine table models:



- B. Pass power thru for all 2-seat and magazine table models, as above.

### Collette Power Distribution Assembly Electrical Kit #2

#### Recommended Tools

- None

Package Contents	Qty.
• 42" Jumper Cable	1
• 4-Way H Connector Block	2
• 20" Jumper Cable	1

**NATIONAL**

Furniture with Personality™

Telephone 800.482.1717  
Fax 812.482.8800  
[www.NationalOfficeFurniture.com](http://www.NationalOfficeFurniture.com)

Part # 3060239  
Rev. -

Printed in U.S.A.  
© 2013 Kimball International, Inc.

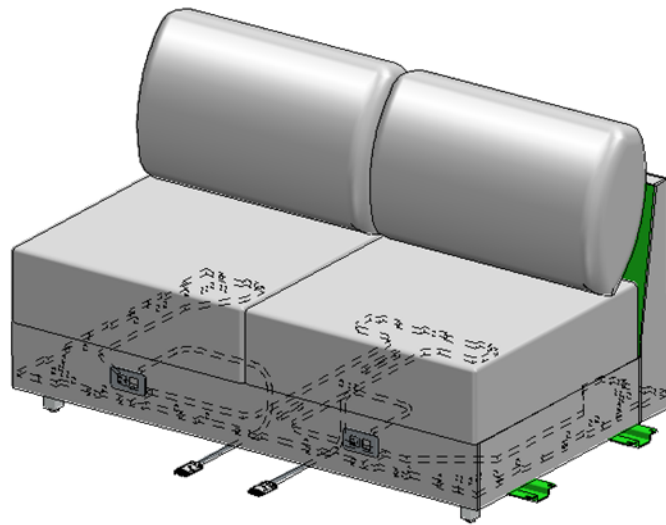
Proper product installation, in accordance with these instructions, is the responsibility of the installing agent. If you have any questions concerning these instructions, please call National Customer Service 800.482.1717.

## Assembly Instruction

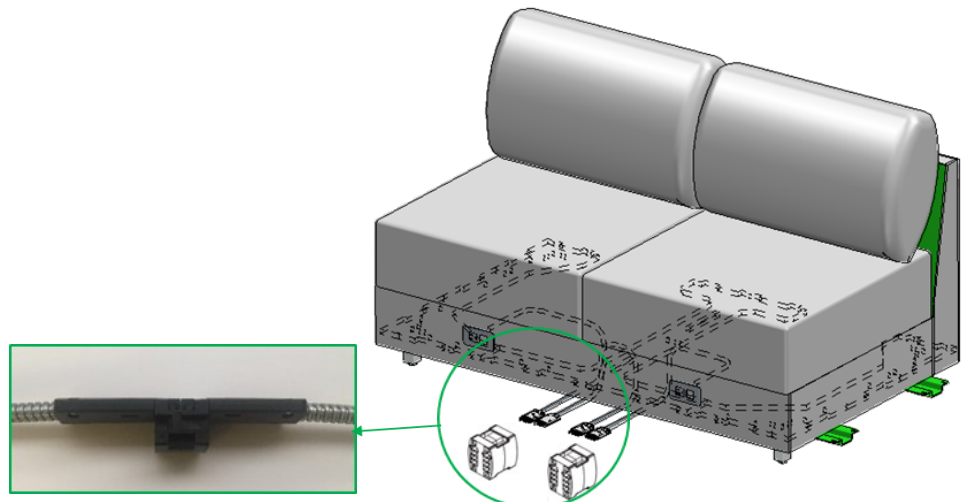
### Collette Power Distribution Assembly Electrical Kit #2

#### A. Instructions for connecting Power + USB grommet

1. Pull both cable ends of the power + USB grommets out of the bottom of the upholstered unit towards the center panel but keeping each cable on either side of the vertical rail. See the illustration below.



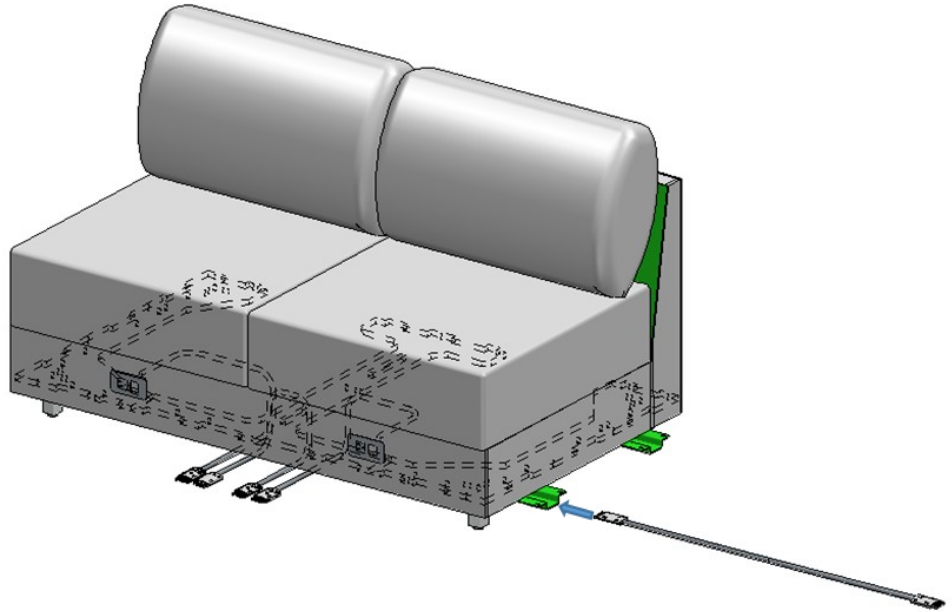
2. Feed the 20" electrical jumper through the cutout in the center vertical rail. Connect both grommet cable leads into the top location of each of the 4-Way H block connectors, making one connection on each side of center rail. See the illustration below.



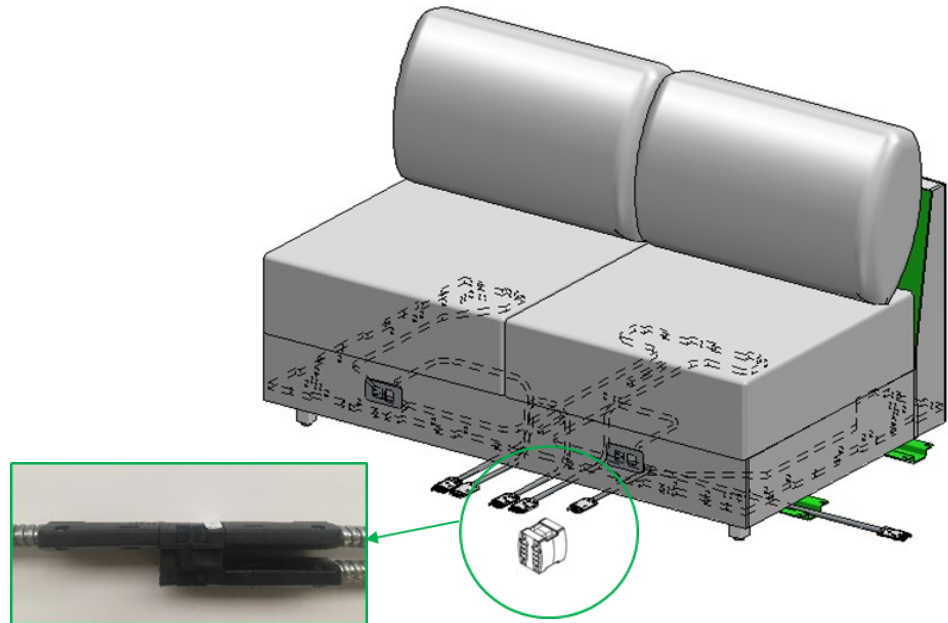
## Assembly Instruction

### Collette Power Distribution Assembly Electrical Kit #2

3. If the unit is to pass power to another ganged unit, pull the 42" long electrical jumper thru the ganging bracket as shown in the illustration below.



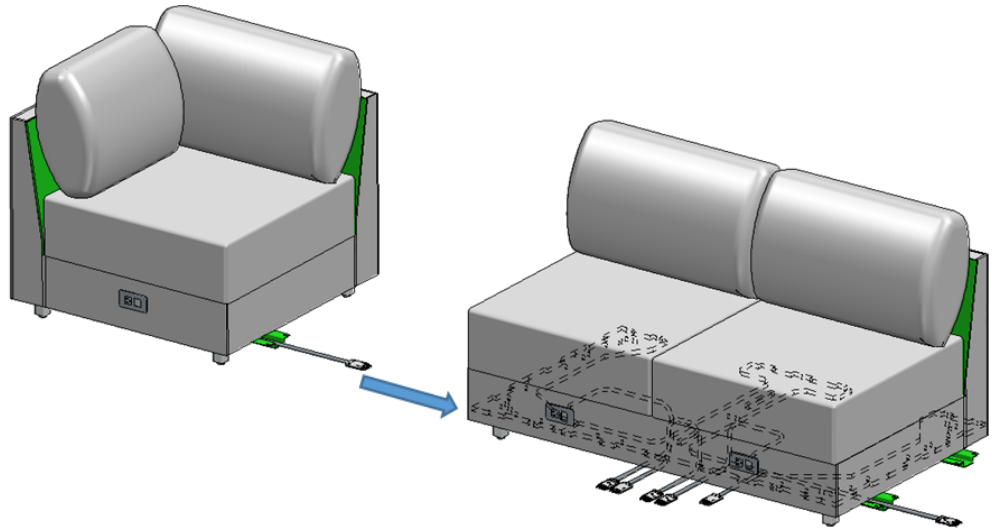
4. Connect the 42" long jumper to the 4-Way H Block Connector as shown in the illustration below.



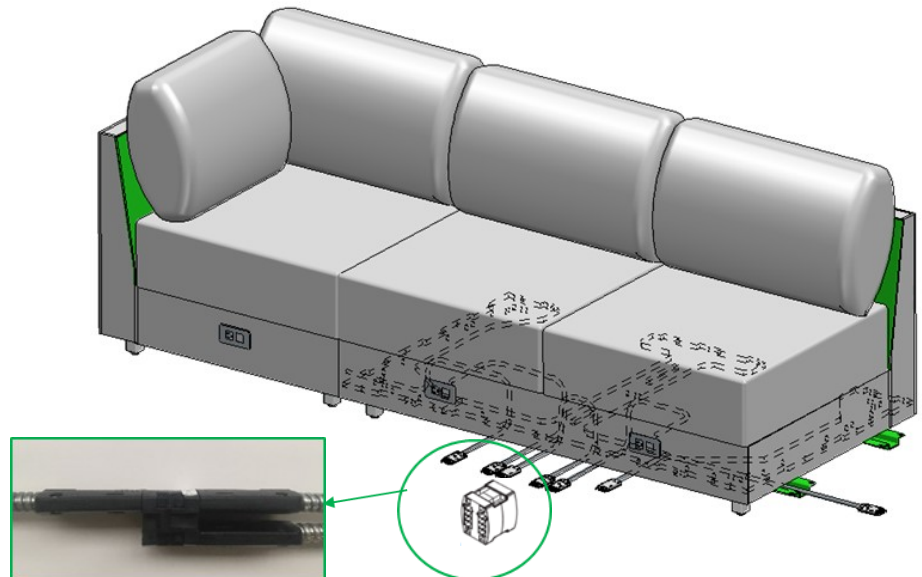
## Assembly Instruction

### Collette Power Distribution Assembly Electrical Kit #2

5. If the unit is to receive power from another ganged unit, pull the electrical jumper through the ganging bracket as shown in the illustration below.



6. Connect the incoming cable to the 4-Way H Block Connector as shown in the illustration below.



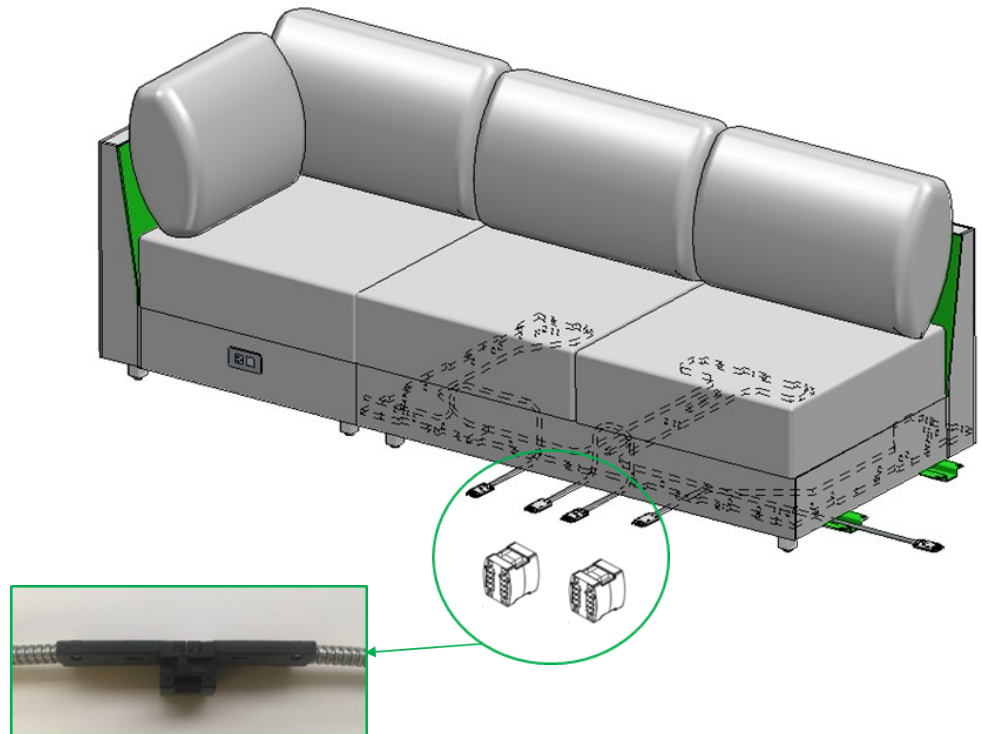
## Assembly Instruction

### Collette Power Distribution Assembly Electrical Kit #2

7. If the unit is to receive power from power entry cable, refer to the power entry installation assembly sheet included with the power entry cable.
8. Position all connections up inside the frame so cables are not visible beneath each unit.
9. Align, orient, level each unit in the desired final position.

#### B. Instructions for passing power thru Upholstered Units

1. If power is only to pass thru the unit to another unit, feed the 20" electrical jumper through the cutout in the center vertical rail. Make the connection with the incoming cord and 4-Way H-Block on one side of the center rail. Make the connection with the outgoing cord and 4-Way H-Block on other side of center rail. See illustration below.



## Assembly Instruction

### **Collette Power Distribution Assembly Electrical Kit #2**

2. If the unit is to receive power from power entry cable, refer to the power entry installation assembly sheet included with the power entry cable.
3. Position all connections up inside the spine unit so cables are not visible beneath each unit.
4. Align, orient, level each unit in the desired final position.