

Assembly Instruction

1 **NOTE:** It is recommended to use Integra-Adhesives Si Bonder (Color Matched) to attach Backsplash and Sidesplash to Worksurface.

Unpack Back/Sidesplash from shipping box taking care not to scratch the surface in handling.

Ensure both Worksurface and Back/Sidesplash are clean, dry, and free of debris.

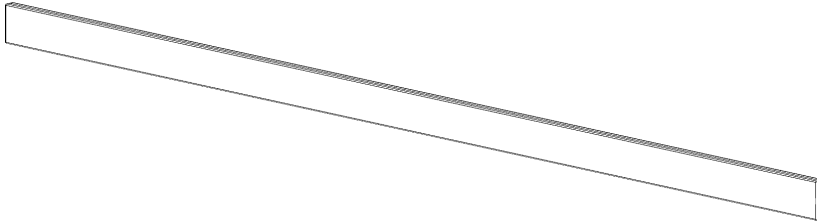


Figure A

2 For installing Backsplash

Apply a bead of the adhesive along the full length of the Backsplash (Fig. B).

Locate it along the back edge and centered up with the Worksurface. Once located clamp down the ends for 24 hours to fully cure.

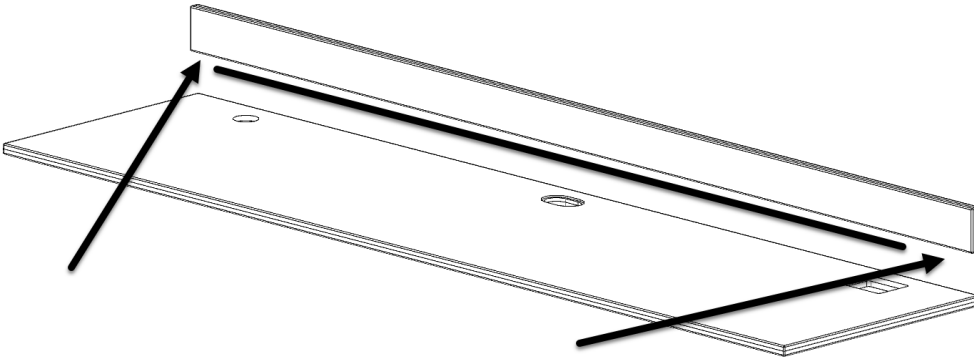


Figure B

3 For installing Sidesplash

Note: Backsplash must be installed prior to Sidesplash for proper alignment with the front edge of the Worksurface.

Apply a bead of the adhesive along the full length of the Sidesplash (Fig. C).

Locate it along the selected edge and flush with the Backsplash. Once located clamp down the ends for 24 hours to fully cure.

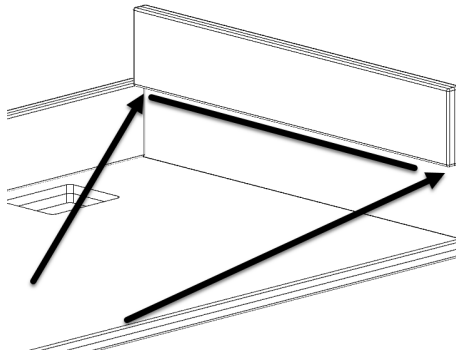


Figure C

BACKSPLASH/ SIDESPLASH INSTALLATION (SOLIDSURFACE)

Tools Required

Adhesive Recommendation
Integra-Adhesives
Si Bonder (Color Matched)

Profile Tool

NATIONAL

Furniture with Personality™

Telephone 800.482.1717
Fax 812.482.8800
www.NationalOfficeFurniture.com

3172146
Rev. -

Proper product installation, in accordance with these instructions, is the responsibility of the installing agent. If you have any questions concerning these instructions, please call National Customer Service 800.482.1717.

Assembly Instruction

4 For sealing Backsplash and Sidesplash

Apply a line of the adhesive along the seam of the Back/Sidesplash (Fig. D).

Use a profile tool to clean up the bead along the seam. Allow 24 hours to cure.

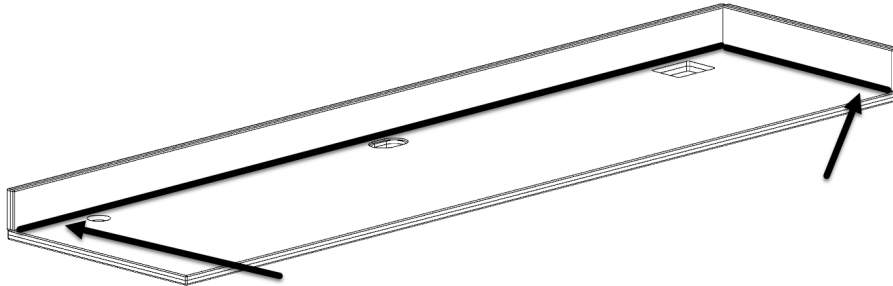


Figure D

BACKSPLASH/ SIDESPLASH INSTALLATION (SOLIDSURFACE)

NATIONAL

Furniture with Personality®

Telephone 800.482.1717
Fax 812.482.8800
www.NationalOfficeFurniture.com

3172146
Rev. -

Proper product installation, in accordance with these instructions, is the responsibility of the installing agent. If you have any questions concerning these instructions, please call National Customer Service 800.482.1717.