

## Assembly Instruction

1

If the modesty panel is to span strictly pedestals (Figure 1A), or span an adjustable height single-sided desk with peds on either side (Figure 1B), the modesty can be installed by driving screws through the back panels of the pedestals.

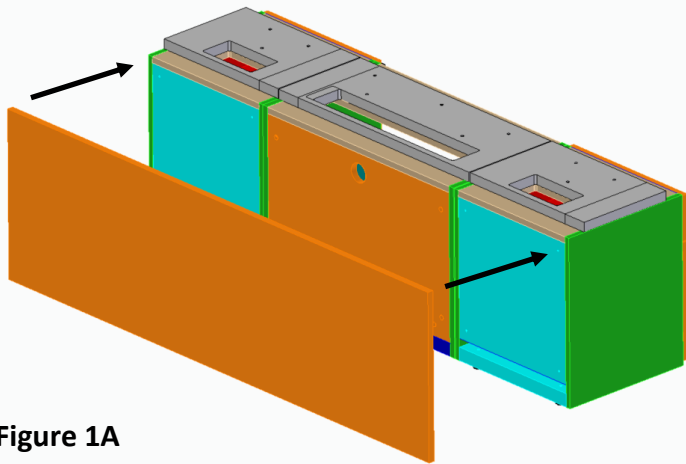


Figure 1A

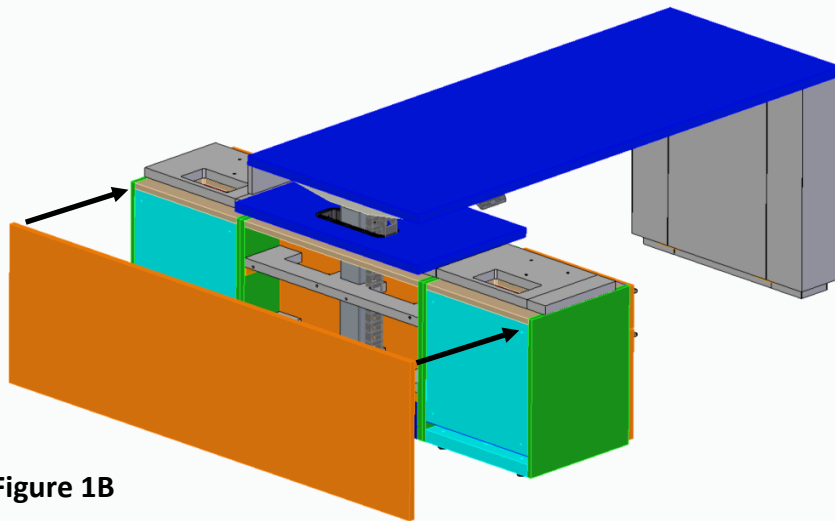


Figure 1B

## Tessera 20" Modesty Panels

### Package Contents

Hardware.....	Qty
Quick Dowel Bolts	4
Quick Dowel Inserts	4
1-1/4 Inch #8 Phillips Screws	4-8

### Tools Required

Drill  
Phillips Screw Driver (#1)

# NATIONAL

Furniture with Personality®

Telephone 800.482.1717  
Fax 812.482.8800  
[www.NationalOfficeFurniture.com](http://www.NationalOfficeFurniture.com)

Part # 3206399  
Rev. -

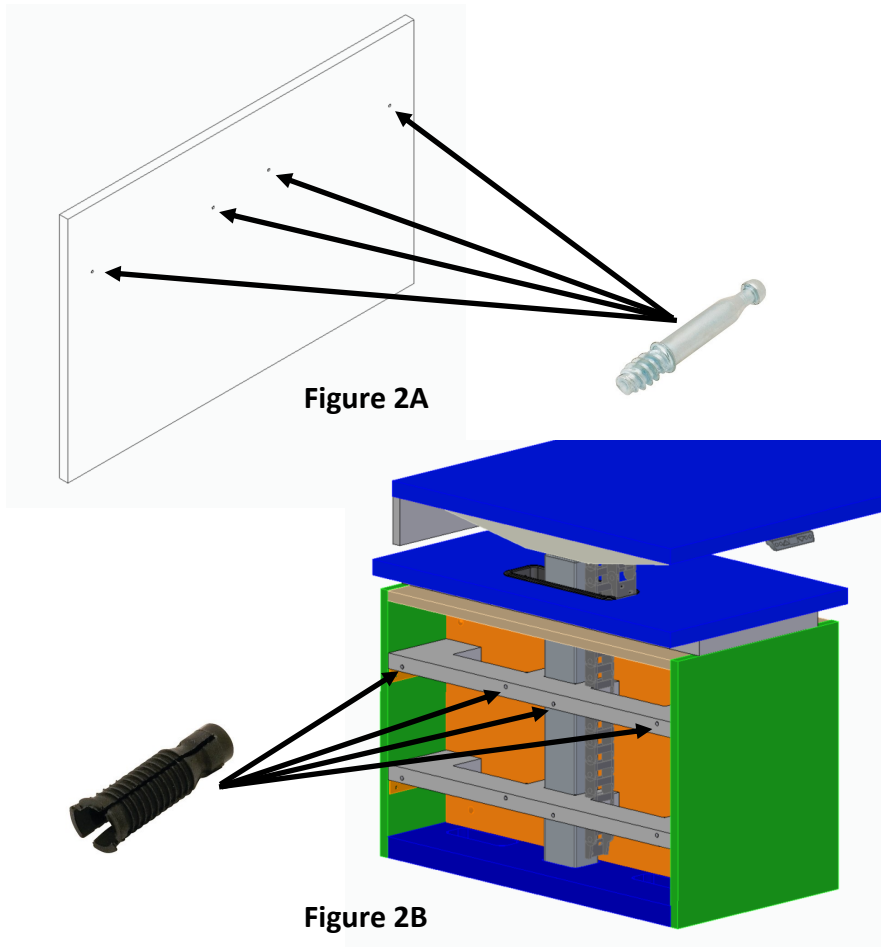
Printed in U.S.A.  
© 2014 Kimball International, Inc.

Proper product installation, in accordance with these instructions, is the responsibility of the installing agent. If you have any questions concerning these instructions, please call National Customer Service 800.482.1717.

## Assembly Instruction

### Tessera 20" Modesty Panels

- 2** Modesty panels that are 30" or 36" wide being used to cover only the back of the bookcase on the desk unit have pilot holes pre-drilled into the panel. With a screw driver, assemble the metal bolts into these holes as shown in Figure 2A. Then, push the black plastic inserts into the holes pre-drilled into the back of the stretcher rail of the bookcase (Figure 2B).



- 3** Simply line up the metal bolts with the black inserts and push the modesty into place.

Proper product installation, in accordance with these instructions, is the responsibility of the installing agent. If you have any questions concerning these instructions, please call National Customer Service 800.482.1717.

**NATIONAL**

Furniture with Personality™

Telephone 800.482.1717  
Fax 812.482.8800  
[www.NationalOfficeFurniture.com](http://www.NationalOfficeFurniture.com)

Part # 3206399  
Rev. -

Printed in U.S.A.  
© 2014 Kimball International, Inc.

## Assembly Instruction

### Tessera 20" Modesty Panels

- 4** If the modesty is greater than 36" long and the bookcase of the height adjustable desk is at the end of a span (Figure 4A) pilot holes will need to be drilled manually. Follow Figure 4B for pilot hole placement. Use a 3/16" drill bit.

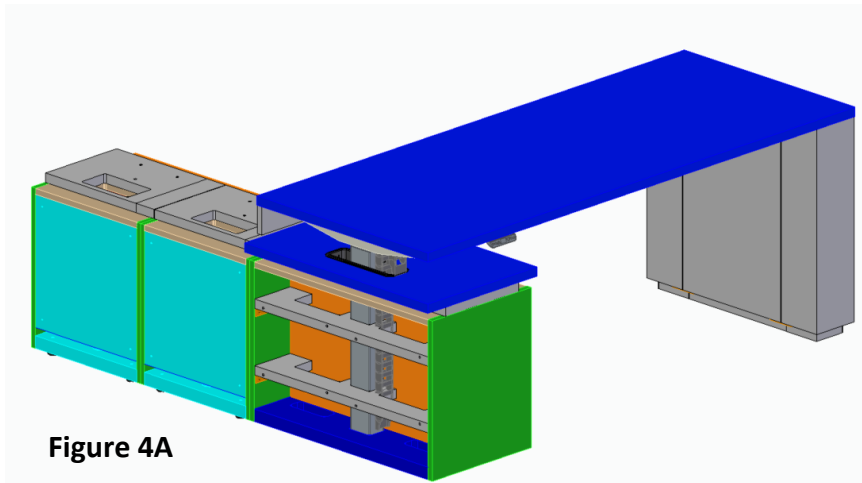


Figure 4A

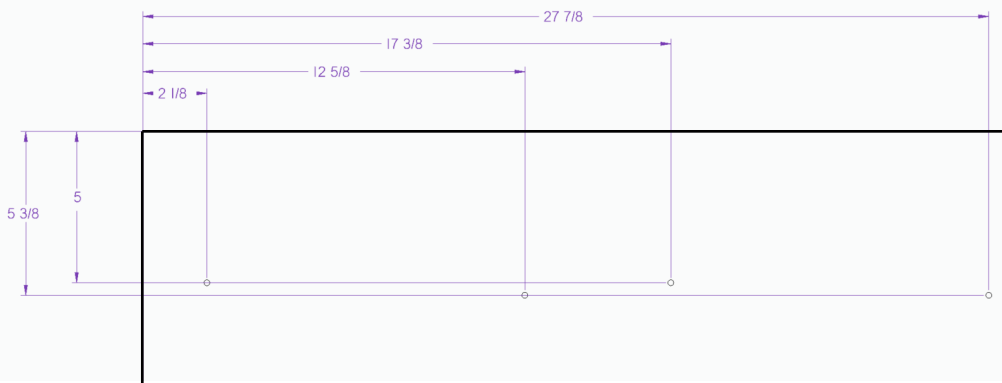


Figure 4B

- 5** Once holes are drilled according to the dimensions above, follow steps 2 and 3, and then drive screws through the back panels of the adjacent peds to completely secure the modesty.

Proper product installation, in accordance with these instructions, is the responsibility of the installing agent.

**NATIONAL**

Furniture with Personality™

Telephone 800.482.1717  
Fax 812.482.8800  
[www.NationalOfficeFurniture.com](http://www.NationalOfficeFurniture.com)

Part # 3206399  
Rev. -

Printed in U.S.A.  
© 2014 Kimball International, Inc.