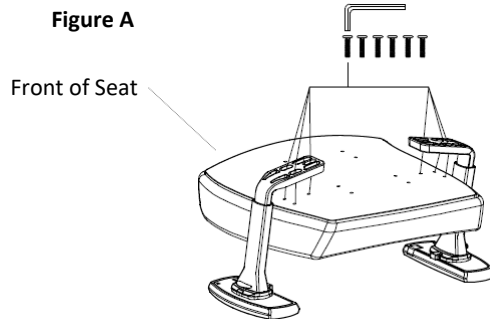


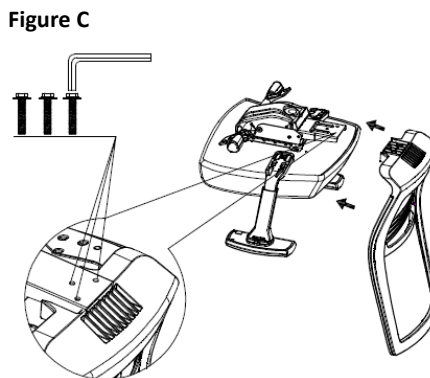
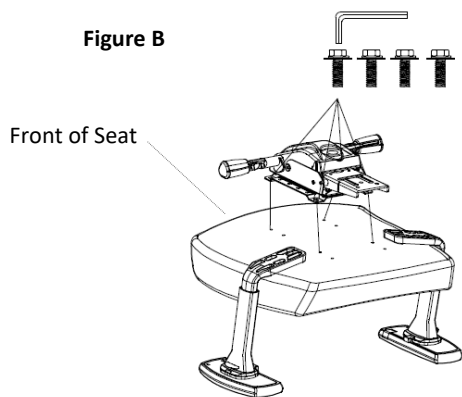
Whirl™ Assembly Instruction

- Place seat assembly upside down on an elevated flat surface. Position the right and left arm assemblies on the bottom of the seat as shown in Figure A. Note: To assure proper assembly of the right and left arms, each arm should angle toward the front of the seat, not rearward. Using the 5mm hex key wrench, secure each arm with three 1/4-20" x 1 1/8" truss head bolts.



- Position 4-lock control mechanism on bottom side of seat assembly to match the front 4-hole configuration. The front of the seat is identified by the front asset label. Using the 5mm Hex Key Wrench, secure the 4-lock control mechanism to the seat assembly using four 1/4-20" x 1" hex head bolts. Figure B.

- Position the back assembly to the corresponding hole configuration on the back bottom of the seat assembly. Using the 5mm hex key wrench, secure the back assembly with three 5/16-18 x 1 1/4" hex head bolts. Figure C.




Product Line
Whirl™ Task Chair

Required Tools

- 5mm Hex Key Wrench (Included)

Package Contents

	Qty.
• Back assembly	1
• Plastic base	1
• Gas lift cylinder	1
• Seat assembly	1
• Hardware Kit:	
• 5/16-18 X 1 1/4" hex head bolts	3
• 1/4-20" X 1 1/8" truss head bolts	6
• 1/4-20" X 1" hex head bolts	4
• Hex Key Wrench	1
• Right arm assembly	1
• Left arm assembly	1
• 4-lock synchro control mechanism	1
• Set of five casters	1

 Assemble units as described herein only. All screws and bolts must be tightened securely and checked periodically after assembly. Failure to assemble or to secure parts properly may result in assembly failure and personal injury.

Proper product installation, in accordance with these instructions, is the responsibility of the installing agent. If you have any questions concerning these instructions, please call National Customer Service 800.482.1717.

NATIONAL

Telephone 800.482.1717
Fax 812.482.8800
www.NationalOfficeFurniture.com

Part# 3215511

Rev. A

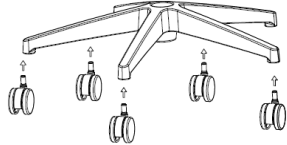
Printed in U.S.A.
©2020 KimballInternationalInc.

Assembly Instruction

4

Insert 5 casters into the plastic base as shown in Figure D.

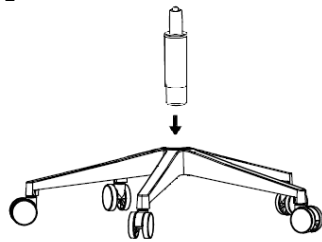
Figure D



5

Orient the gas lift cylinder as shown and insert the larger end of the cylinder into the hole in the center of the base. Figure E.

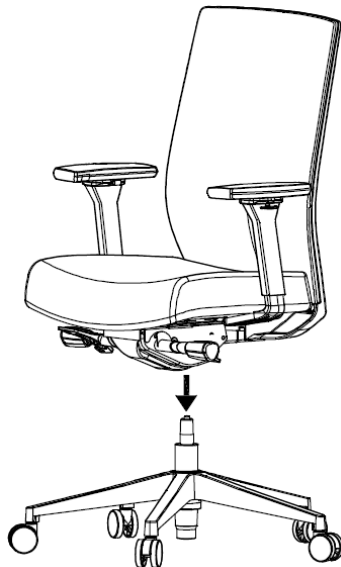
Figure E



6

Carefully position the seat assembly over the gas lift cylinder, aligning the hole in the seat control with the top, smaller end of the cylinder. Press the seat assembly onto the cylinder then sit on the seat to completely mate the components together. While seated, actuate height control lever and remove weight from chair to adjust chair up to comfortable sitting height. Figure F.

Figure F



Proper product installation, in accordance with these instructions, is the responsibility of the installing agent. If you have any questions concerning these instructions, please call National Customer Service 800.482.1717.

NATIONAL

Telephone 800.482.1717
Fax 812.482.8800
www.NationalOfficeFurniture.com

Part# 3215511
Rev, A

Printed in U.S.A.
© 2020 Kimball International, Inc.