

## Assembly Instruction

### 1 READ ALL DIRECTIONS BEFORE BEGINNING ASSEMBLY.

THIS MODULE IS ASSEMBLED WITH A HIDDEN FASTENER HARDWARE SYSTEM THAT COMES PREINSTALLED. THERE ARE TWO TYPES IN THIS ASSEMBLY, CHANNEL LOCKS AND LOCK DOWELS (FIGURE A). IF PANELS APPEAR TO BE MISSING FASTENERS OR THEY ARE DAMAGED, CONTACT CUSTOMER SERVICE FOR REPLACEMENTS. DO NOT ASSEMBLY THIS UNIT WITHOUT ALL HARDWARE INSTALLED AS MODULE IS PERMANENT AFTER ASSEMBLY.

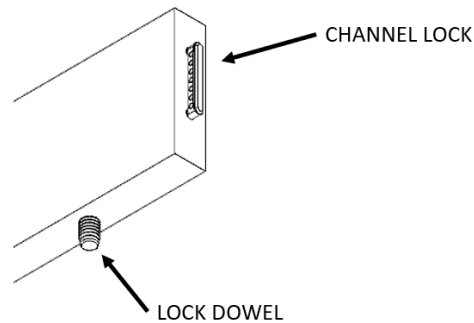


FIGURE A

### 2 LAYOUT BACK PANEL ON WORKSURFACE WITH ROUTED PROFILES FACING UPWARD (FIGURE B). NOTE THE ROUTED PROFILES (FIGURE C) ON THE BACK PANEL

AND THE DIRECTION OF THE SMALLER ROUT COMPARED TO THE CLEARANCE SLOT. THE SMALLER ROUT IS THE CAPTURE PROFILE THAT WILL HOLD AND POSITION THE CHANNEL LOCK.

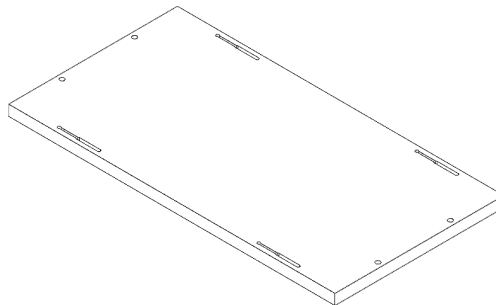


FIGURE B

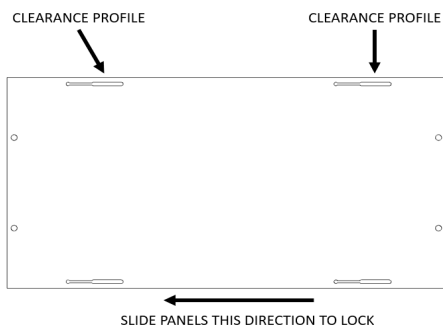


FIGURE C

### 3 LOCATE THE TOP PANEL WHICH HAS TWO SETS OF PILOT HOLES IN IT (FIGURE D).

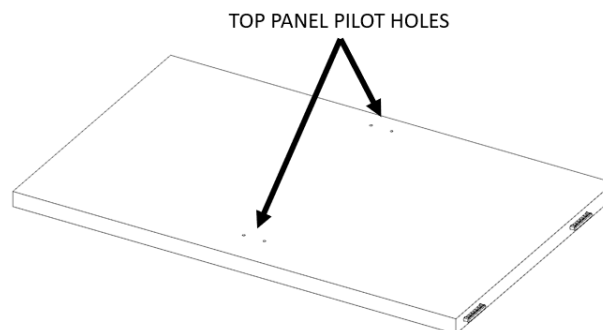


FIGURE D

## LOCHLYN MODULE FRONT OPEN BOX

### TOOLS REQUIRED

DRILL DRIVER W/ #2 PHILLIPS BIT  
RUBBER MALLET

### HARDWARE

#8X5/8" PAN HEAD SCREWS X4

# NATIONAL

Furniture with Personality®

Telephone 800.482.1717  
Fax 812.482.8800  
[www.NationalOfficeFurniture.com](http://www.NationalOfficeFurniture.com)

3249027  
Rev. -

Proper product installation, in accordance with these instructions, is the responsibility of the installing agent. If you have any questions concerning these instructions, please call National Customer Service 800.482.1717.

## Assembly Instruction

**4** START THE TOP PANEL INTO THE FIRST SET OF ROUTED PROFILES ON THE BACK PANEL (**FIGURE E**). SLIDE OVER TO LOCK IT INTO THE BACK PANEL (**FIGURE F**).

**NOTE:** BACK PANEL ROUTED CUTS ARE SYMMETRIC AND DOESN'T HAVE A SET TOP OR BOTTOM TO INSTALL THE TOP PANEL. USE GRAIN DIRECTION OF THE BACK PANEL TO DETERMINE WHICH SIDE SHOULD BE THE TOP.

**NOTE:** ENSURE TOP PANEL PILOT HOLES ARE FACING OUT AWAY FROM THE INTERIOR OF THE BOX, NOT TOWARDS THE INSIDE. CORRECT IF NECESSARY AT THIS POINT.

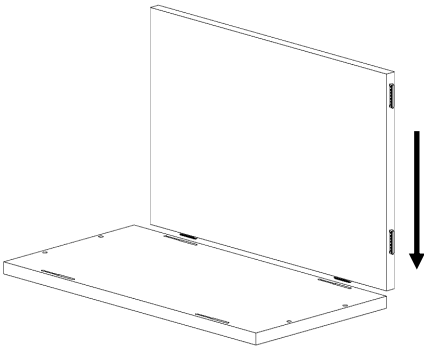


FIGURE E

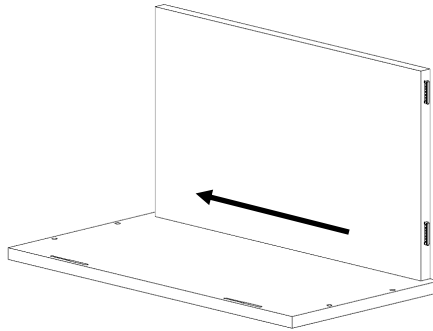


FIGURE F

**5** LOCATE THE BOTTOM PANEL (**FIGURE G**) AND LOCK IT INTO THE REMAINING ROUTED PROFILE (**FIGURE H**).

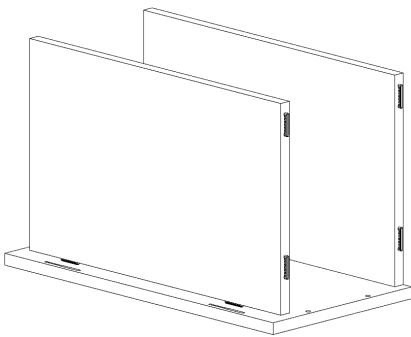


FIGURE G

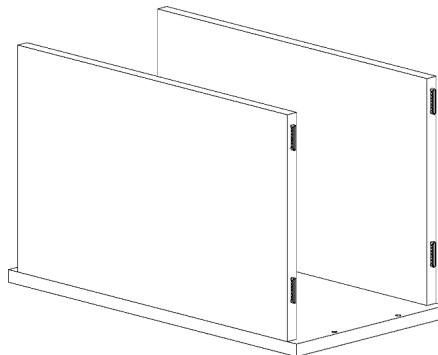


FIGURE H

## LOCHLYN MODULE FRONT OPEN BOX

**NATIONAL**

*Furniture with Personality®*

Telephone 800.482.1717  
Fax 812.482.8800  
[www.NationalOfficeFurniture.com](http://www.NationalOfficeFurniture.com)

3249027  
Rev. -

Proper product installation, in accordance with these instructions, is the responsibility of the installing agent. If you have any questions concerning these instructions, please call National Customer Service 800.482.1717.

## Assembly Instruction

**6** LOCATE THE END PANELS AND START CHANNEL LOCKS INTO THE FOUR ROUTED PROFILES (**FIGURE I**). PUSH THE PANEL DOWN TO ENGAGE THE LOCK DOWELS INTO THE HOLES IN THE BACK PANEL (**FIGURE J**).

**NOTE:** END PANEL ASSEMBLY IS PERMANENT. ENSURE CORRECT ASSEMBLY OF TOP PANEL BEFORE THIS STEP IS COMPLETE.

**NOTES:** A RUBBER Mallet CAN BE USED TO HELP SEAT THE PANEL. TAKE CARE TO NOT DAMAGE THE UNIT

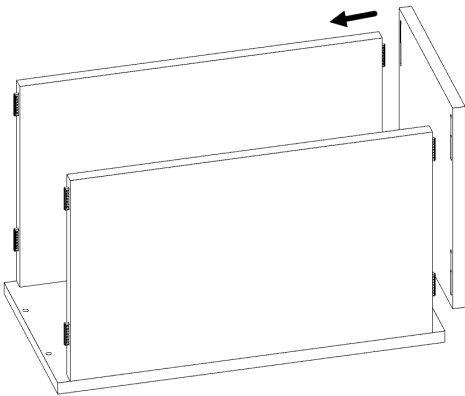


FIGURE I

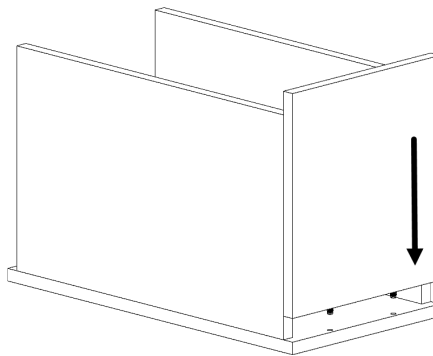


FIGURE J

**7** INSTALL THE REMAINING END PANEL ON THE OPPOSITE SIDE (**FIGURE K**). ENSURE THE PANEL IS INSTALLED FULLY INTO THE BACK PANEL.

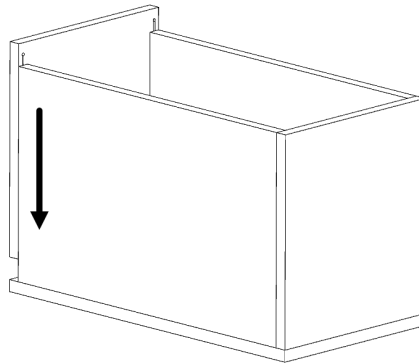


FIGURE K

**8** BOX ASSEMBLY IS COMPLETE AT THIS POINT (**FIGURE L**).

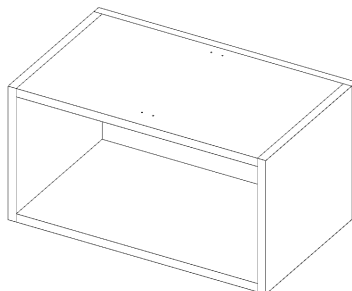


FIGURE L

## LOCHLYN MODULE FRONT OPEN BOX

**NATIONAL**

Furniture with Personality<sup>®</sup>

Telephone 800.482.1717  
Fax 812.482.8800  
[www.NationalOfficeFurniture.com](http://www.NationalOfficeFurniture.com)

3249027  
Rev. -

Proper product installation, in accordance with these instructions, is the responsibility of the installing agent. If you have any questions concerning these instructions, please call National Customer Service 800.482.1717.

## Assembly Instruction

- 9** INSTALL BOX INTO FRAME ENSURING TOP PANEL WITH PILOT HOLES ARE FACING UP (**FIGURE M**).

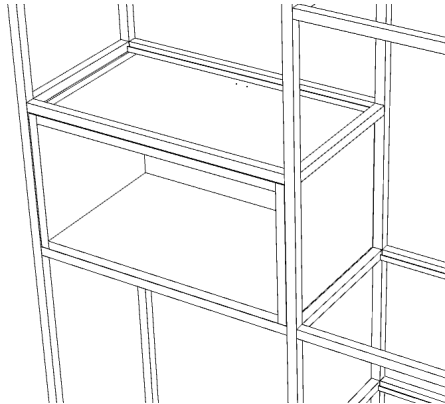


FIGURE M

- 10** RETRIEVE THE TWO HANGER BRACKETS FROM THE HARDWARE KIT. THEY MOUNT IN THE CENTER OF THE BOX ON BOTH SIDES. POSITION THEM SO THE FOLDED HOOK GRABS ONTO THE LIP OF THE HORIZONTAL FRAME MEMBER AND THE MOUNTING HOLES CENTER UP WITH THE PILOT HOLES IN THE TOP PANEL (**FIGURE N**). START AND RUN DOWN THE INCLUDED 5/8 PAN HEAD SCREWS TO INSTALL THE BOX TO THE FRAME (**FIGURE O**).

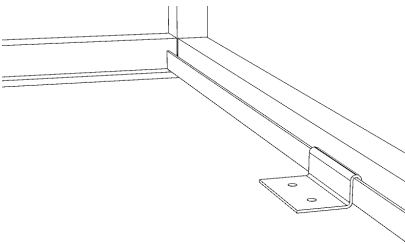


FIGURE N

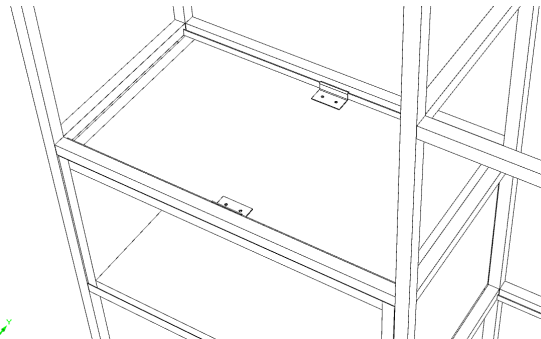


FIGURE O

- 11** PLACE INCLUDED COVER PANEL IN THE MODULE ABOVE TO COVER OVER THE BRACKETS (**FIGURE P**). INSTALLATION IS COMPLETE AFTER THIS (**FIGURE Q**).

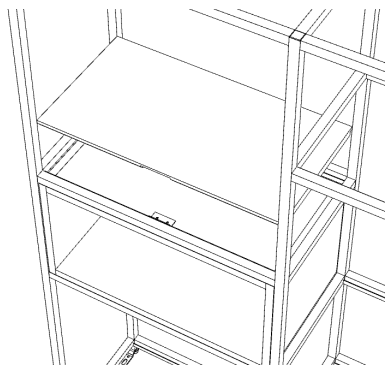


FIGURE P

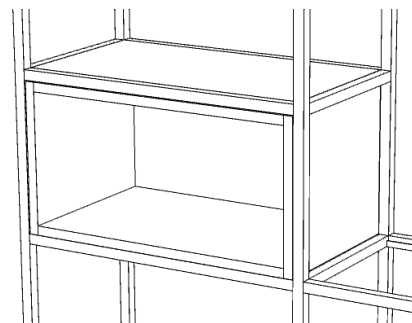


FIGURE Q

## LOCHLYN MODULE FRONT OPEN BOX

**NATIONAL**

Furniture with Personality™

Telephone 800.482.1717  
Fax 812.482.8800  
[www.NationalOfficeFurniture.com](http://www.NationalOfficeFurniture.com)

3249027  
Rev. -

Proper product installation, in accordance with these instructions, is the responsibility of the installing agent. If you have any questions concerning these instructions, please call National Customer Service 800.482.1717.