

Assembly Instruction

- 1** UNPACK AND POSITION THE TOP OVER THE FRAME (**FIGURE A**). SQUARE THE TOP TO THE FRAME THEN CLAMP DOWN LIGHTLY WITH A NON MARRING CLAMP.

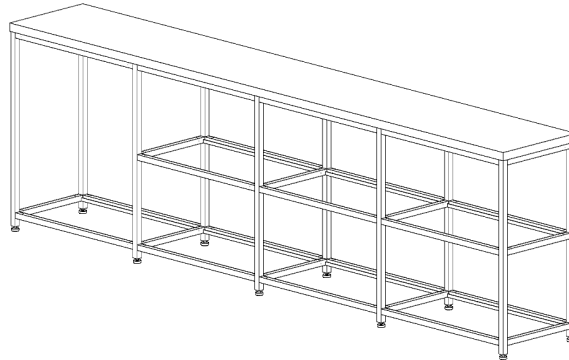


FIGURE A

- 2** RETRIEVE THE ANGLED BRACKETS AND SCREWS FROM THE HARDWARE KIT. THE BRACKETS WILL BE ATTACHED TO THE DEPTH CROSS MEMBERS ALONG THE FRAME WITH SELF TAPPING SCREWS AND TO THE TOP WITH STANDARD PAN HEAD SCREWS. POSITION ONE OF THE BRACKETS APPROX. 2" INSIDE THE HORIZONTAL RAIL TO CLEAR THE JUNCTION BLOCK (**FIGURE B**). START AND RUN DOWN THE 1" PAN HEAD SCREW TO MOUNT IT TO THE WORKSURFACE.

NOTE: ENSURE THE SHORT ARM OF THE BRACKET IS ALONG THE FRAME AND THE LONG SIDE TO THE WORKSURFACE.

TIP: USE MASKING TAPE AND APPLY A STRIP TO HOLD THE BRACKET TO THE FRAME AND ANOTHER STRIP TO THE WORKSURFACE. THIS HOLDS THE BRACKET IN POSITION DURING INSTALLATION AND FREES UP A HAND.

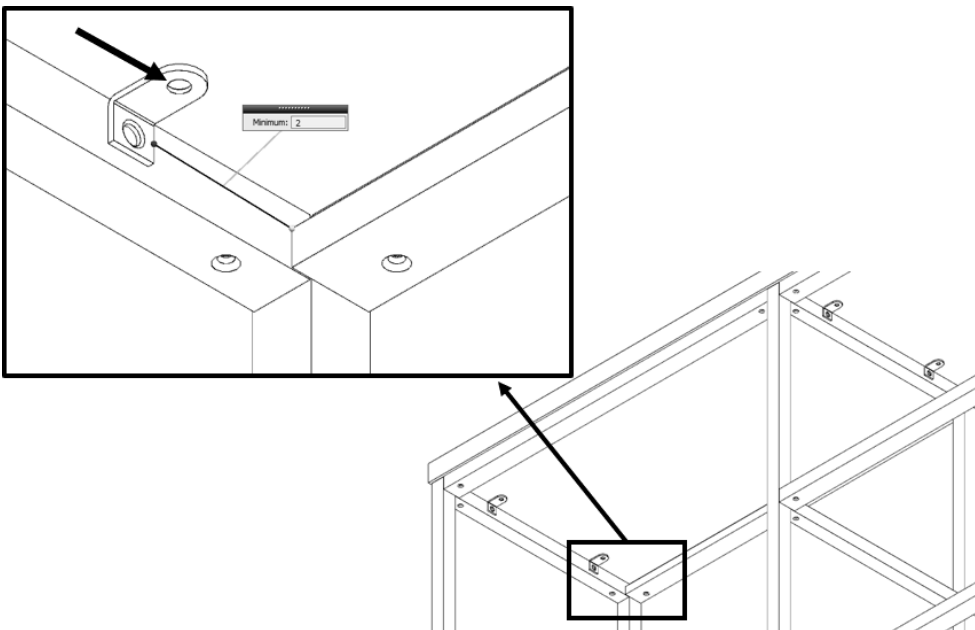


FIGURE B

LOCHLYN CORNICE TOP

TOOLS REQUIRED

DRILL DRIVER W/#2 PHILLIPS BIT
NON MARRING CLAMPS
MASKING TAPE

HARDWARE

BRACKETS QTY VARIES

#8X1" PAN HEAD SCREWS
QTY VARIES

#8X5/8" SELF TAPPING SCREW
QTY VARIES

NATIONAL

Furniture with Personality®

Telephone 800.482.1717
Fax 812.482.8800
www.NationalOfficeFurniture.com

3249055
Rev. -

Proper product installation, in accordance with these instructions, is the responsibility of the installing agent. If you have any questions concerning these instructions, please call National Customer Service 800.482.1717.

Assembly Instruction

LOCHLYN CORNICE TOP

- 3** MOUNT THE SECOND BRACKET TO WORKSURFACE ON THE OPPOSITE SIDE APPROX. 2" IN FROM THE HORIZONTAL MEMBER (**FIGURE C**).

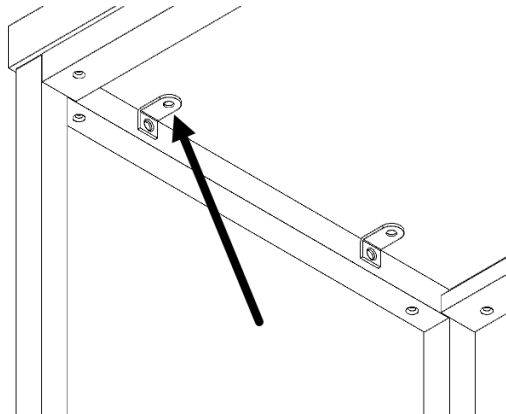


FIGURE C

- 4** START AND RUN DOWN SELF TAPPING SCREWS INTO EACH BRACKET TO MOUNT IT TO THE FRAME (**FIGURE D**).

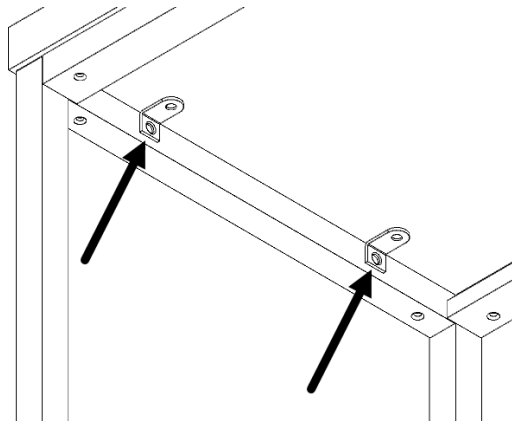


FIGURE D

- 5** REPEAT STEPS 2-4 FOR EACH OF THE REMAINING CROSS SECTIONS ON THE FRAME UNTIL ALL HAVE 2 BRACKETS ATTACHED (**FIGURE E**). INSTALLATION IS COMPLETE AFTER THIS STEP.

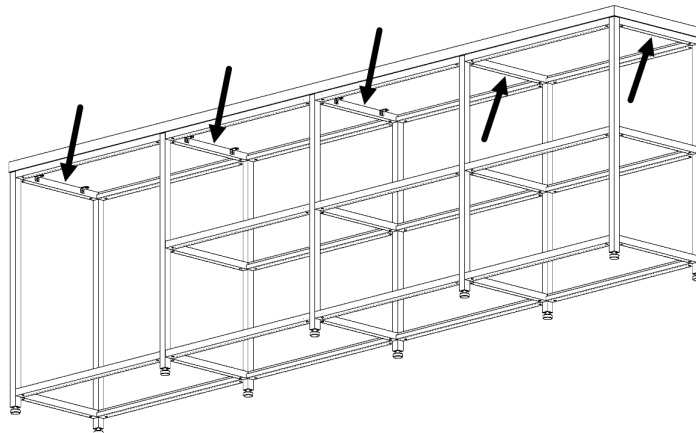


FIGURE E

Proper product installation, in accordance with these instructions, is the responsibility of the installing agent. If you have any questions concerning these instructions, please call National Customer Service 800.482.1717.

NATIONAL

Furniture with Personality™

Telephone 800.482.1717
Fax 812.482.8800
www.NationalOfficeFurniture.com

3249055
Rev. -