

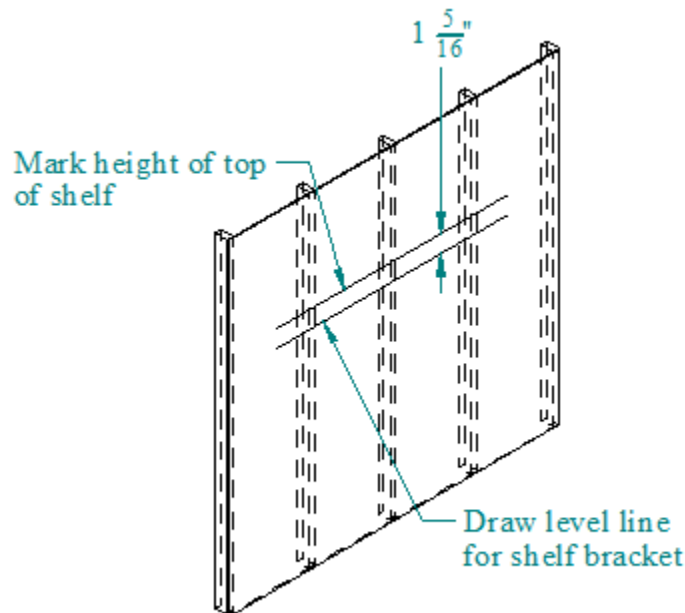
Assembly Instructions

NOTE: National defines a structural wall as a load-bearing wall constructed of materials such as: poured concrete, concrete block, or studs. Wood studs must be a nominal 2" x 4" size minimum. Metal studs must be "C" channel, 20-gauge thick minimum. Metal or wood studs must be on centers no greater than 24" and have maximum height of 14' restrained at floor and ceiling. Interior walls shall be designed to resist not less than a force of 5 lbs. per square foot applied perpendicular to wall. The deflection of such wall under a load of 5 lbs. per square foot shall not exceed 1/240 of the span for walls with brittle finishes, and 1/120 of the span for walls with flexible finishes (per Uniform Building Code Section 2390b). If you have any questions concerning your load-bearing structures, please consult your architect or structural engineer.

1

Place shelf against structural wall in the approximate desired location. Mark the top edge of the shelf and set it aside. Measure down $1 \frac{5}{16}$ " from the top edge, mark and draw a level line (Figure A)

Figure A



Product Line

Wall mounted shelf

Recommend Tools

- Pencil
- Tape Measure
- Level
- Screw gun
- Drill Bits
- Screw Bits

Package Contents Qty.

- | | |
|-----------------|---|
| • Shelf | 1 |
| • Shelf Bracket | 1 |

NATIONAL

Furniture with Personality™

Telephone 800.482.1717
Fax 812.482.8800
www.NationalOfficeFurniture.com

Part # 3324524
Rev. -

Printed in U.S.A.
© 2013 Kimball International, Inc.

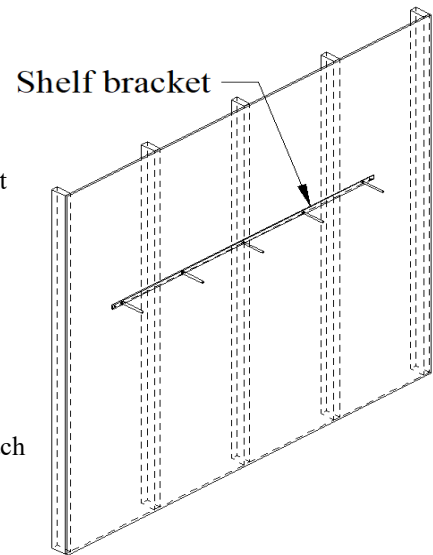
Proper product installation, in accordance with these instructions, is the responsibility of the installing agent. If you have any questions concerning these instructions, please call National Customer Service 800.482.1717.

CASEGOODS

2

Place the shelf bracket on the wall, centered in the approximate location of the shelf, with the bottom edge of the bracket on the level line drawn in Step 1. Locate the centers of the wall studs and transfer these locations to the shelf bracket. (Figure B)

Figure B



NOTE:

12", 15", 18" and 24" shelves must attach on to one (1) stud.

30", 36", 42", 48" and 54" shelves must attach on to two (2) studs.

60", 66" and 72" shelves must attach on to three (3) studs.

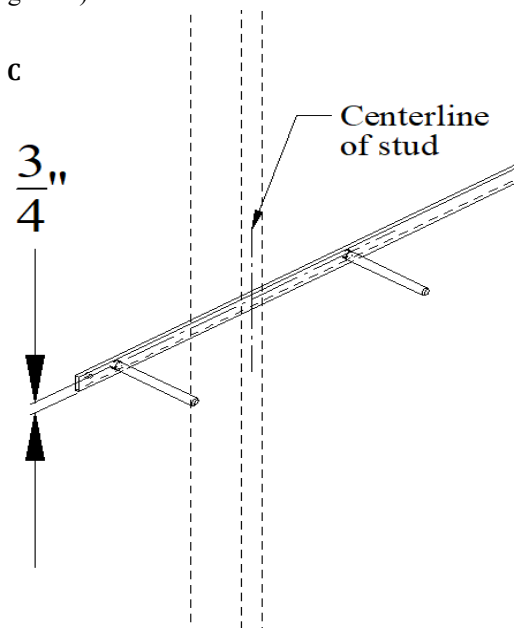
3

Remove bracket from wall and drill 1/4" holes 3/4" above bottom edge of bracket at locations marked in Step 2. (Figure C)

Figure C

NOTE:

Refer to note at the bottom of page 5 for number of anchor holes to drill for each specified length of shelf.

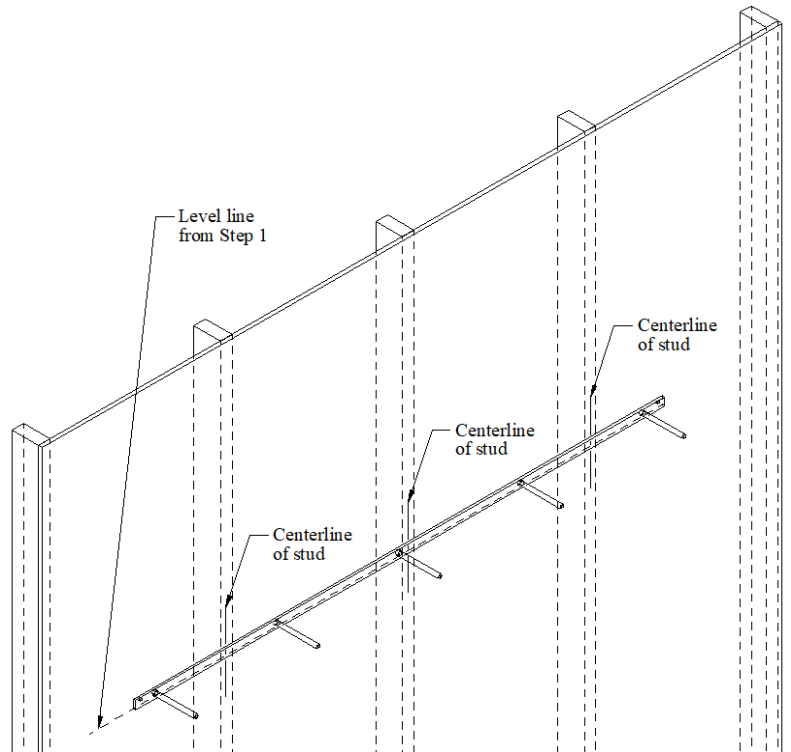


CASEGOODS

4

Attach the bracket to wall aligning bottom edge of bracket with level line drawn in Step 1. Make sure that each anchor makes full, solid contact with each stud. (Figure D)

Figure D

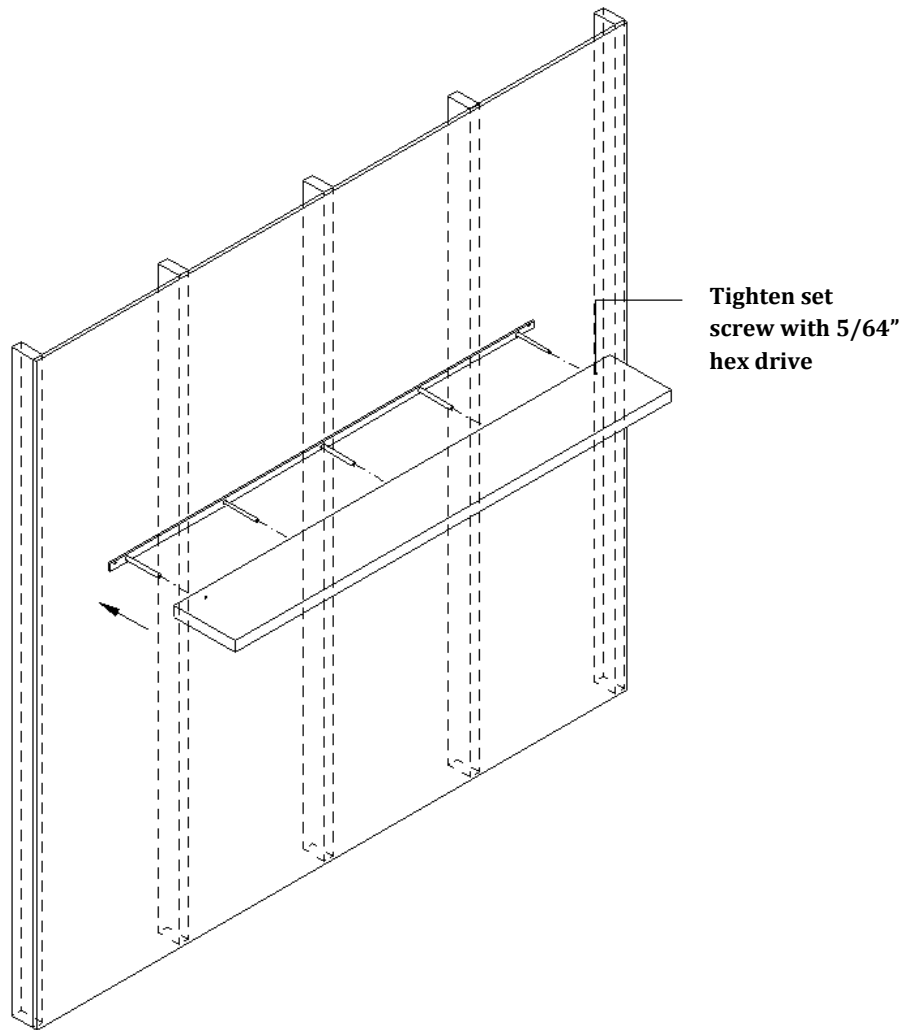


Proper product installation, in accordance with these instructions, is the responsibility of the installing agent.

5

Align bracket support rods with holes bored in the rear of shelf. With support rods in each shelf hole, slide the shelf back against face of wall. If the shelf is above eye level, the shelf can be flipped so set screw is on top, out of line of sight. If the bottom face of the shelf is below eye level, the shelf can be flipped so set screw is on bottom, out of line of sight. With the shelf against face of wall and set screws orientated up or down (your preference), tighten set screws against support rods. (Figure E)

Figure E



Proper product installation, in accordance with these instructions, is the responsibility of the installing agent.

CASEGOODS

Recommended Fastener	Size	Model No.
Steel Stud (for 1/2" to 3/4" drywall) Snaptoggle anchor toggle bolt	3/16" - 24 x 2 1/2" Grade 5, Grade 5 equivalent or greater bolt with a minimum head height of .134"	50375
Wood Stud (for 1/2" to 3/4" drywall) meets or exceeds ANSI/ASME B18.6.4 and SAE J933 Panhead wood screw		#10 x 2" PHPWS
Solid Masonry Crown Bolt lag shields Buildex Tapcon Concrete anchor screw	1/4" x 1 1/2" 1/4" x 2 3/4"	24385
Masonry Block Snaptoggle anchor toggle bolt	Grade 5, Grade 5 equivalent or greater bolt with a minimum head height of .134"	50375
Crown Bolt lag shields Buildex Tapcon Concrete anchor screw	1/4" x 1 1/2" 1/4" x 2 3/4"	24385

NOTE:

Recommended number of anchors for each length shelf

12" and 15" shelves - (2) anchors minimum

18" and 24" shelves - (3) anchors minimum

30", 36", 42" and 48" shelves - (4) anchors minimum

54" and 60" shelves - (5) anchors minimum

66" shelf - (7) anchors minimum

72" shelf - (9) anchors minimum

Proper product installation, in accordance with these instructions, is the responsibility of the installing agent.