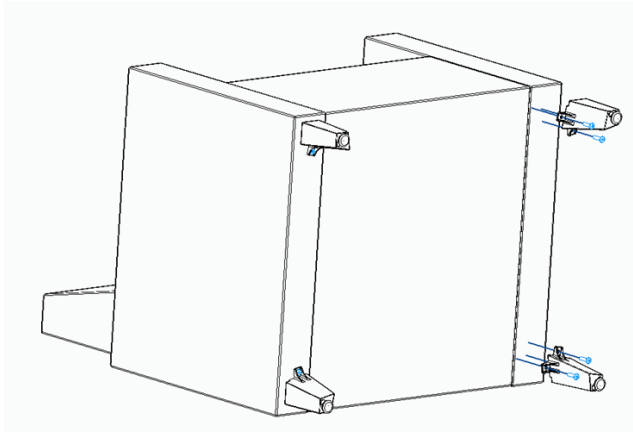


## Assembly Instruction

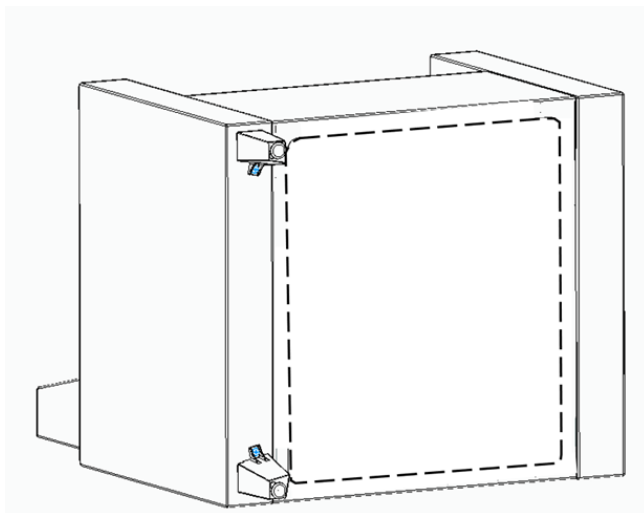
1

Turn unit onto its back. If armed unit, remove the arm to be replaced.

- Remove legs from arm by removing (2) 1/4"-20 x 1" machine screws and (2) #10 x 3-1/2" wood screws. To remove wood screws, glide must be removed from bottom of leg. Set all pieces aside to be reused later.



- Cut black bottom from underside of chair, remaining 1" inside of the staple line.



### Fringe

Upholstered Divider  
Assembly

### Recommend Tools

- Phillips Head Screwdriver
- Scissors
- Awl

### Package Contents Qty.

- Upholstered Panel 1
- Mounting Plate 1
- 5/16" Flat Washer 7
- 1/4"-20 x 2-1/2" MSCR 3
- 1/4"-20 x 1" MSCR 2
- Template 1

# NATIONAL

Furniture with Personality™

Telephone 800.482.1717  
Fax 812.482.8800  
[www.NationalOfficeFurniture.com](http://www.NationalOfficeFurniture.com)

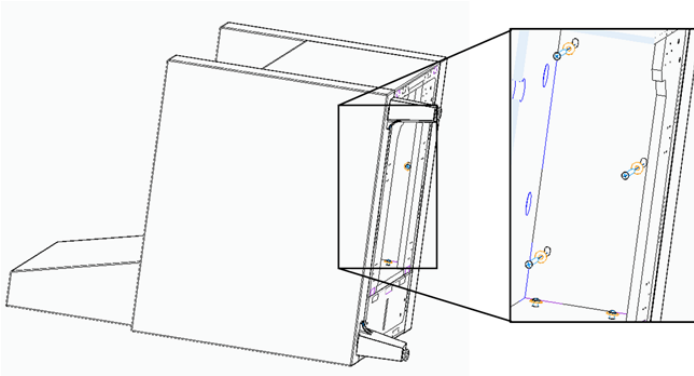
Part # 3325323  
Rev. -

Printed in U.S.A.  
© 2013 Kimball International, Inc.

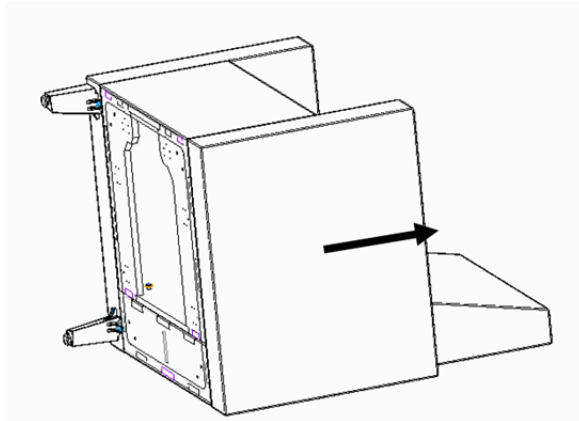
Proper product installation, in accordance with these instructions, is the responsibility of the installing agent. If you have any questions concerning these instructions, please call National Customer Service 800.482.1717.

## Assembly Instruction

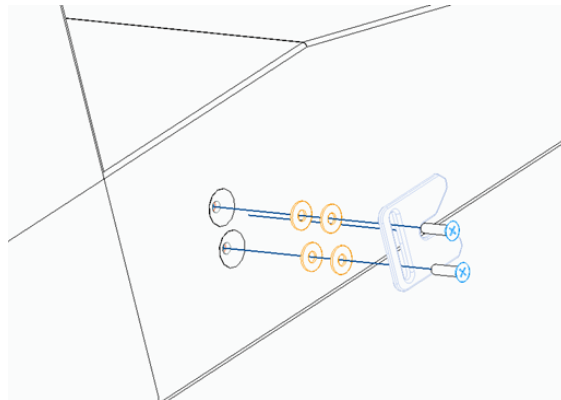
- Reach into the seat box and using a screwdriver remove (3) 1/4"-20 x 2-1/2" machine screws and (3) 5/16 washers.



- Slide arm assembly toward top of unit to remove.



- If arm is low height, remove bracket and bolts on the side of the frame. If arm is mid height or high height, leave bracket and bolts in place.



Proper product installation, in accordance with these instructions, is the responsibility of the installing agent. If you have any questions concerning these instructions, please call National Customer Service 800.482.1717.

### Fringe Upholstered Divider Assembly

# NATIONAL

Furniture with Personality™

Telephone 800.482.1717  
Fax 812.482.8800  
[www.NationalOfficeFurniture.com](http://www.NationalOfficeFurniture.com)

Part # 3325323  
Rev. -

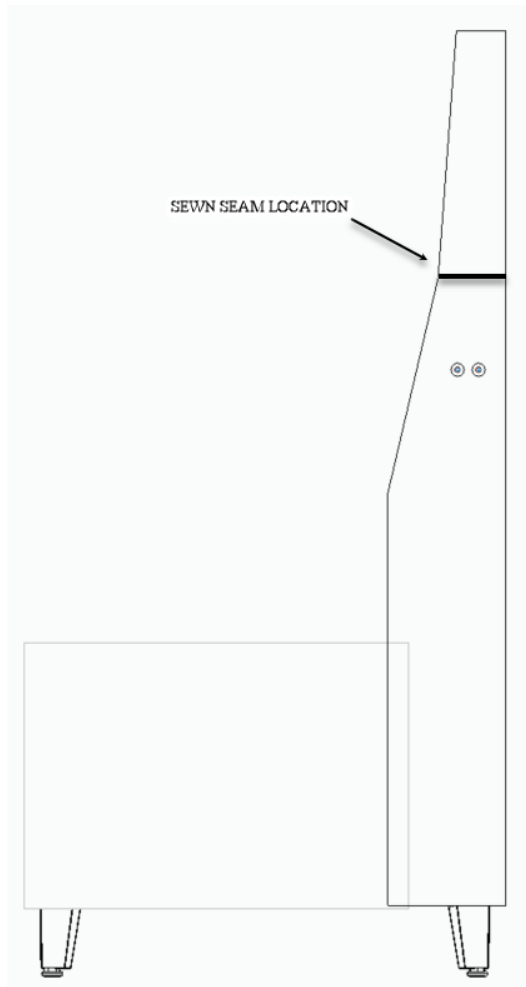
Printed in U.S.A.  
© 2013 Kimball International, Inc.

## Assembly Instruction

2

Add upholstered divider.

- If armless unit, remove two legs from the side of the unit receiving the divider, as described on page 1. Set aside legs and hardware to be used later.
- If unit is armless and a ganging unit, remove ganging plate from the side of the unit receiving the divider.
- Cut black bottom from underside of the chair, as described on page 1.
- Locate the two holes for arm bracket bolts using provided template. Using scissors cut out a 1" hole in the upholstery and foam so that holes are visible. If a mid-back unit align template to top of back. If high-back unit, align template to sewn horizontal seam.



### Fringe Upholstered Divider Assembly

**NATIONAL**

Furniture with Personality™

Telephone 800.482.1717  
Fax 812.482.8800  
[www.NationalOfficeFurniture.com](http://www.NationalOfficeFurniture.com)

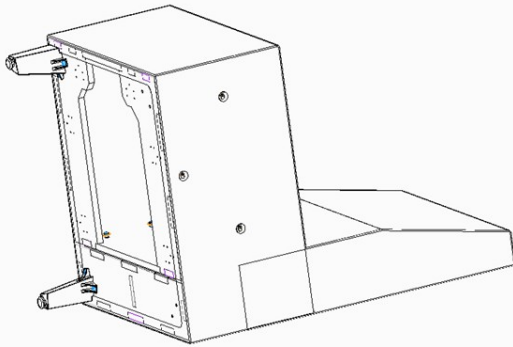
Part # 3325323  
Rev. -

Printed in U.S.A.  
© 2013 Kimball International, Inc.

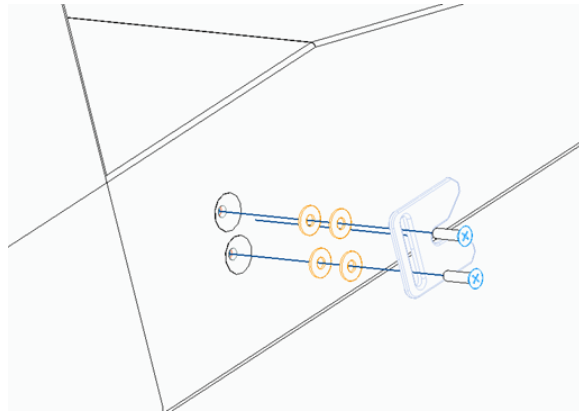
Proper product installation, in accordance with these instructions, is the responsibility of the installing agent. If you have any questions concerning these instructions, please call National Customer Service 800.482.1717.

## Assembly Instruction

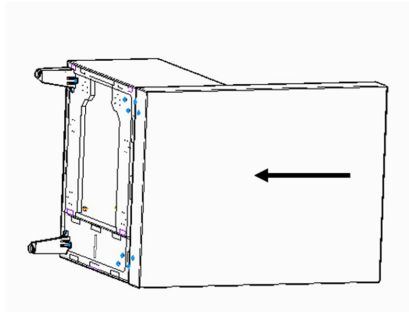
- Locate 3 holes in the seat box by pushing an awl through the slots on the inside of seat box. Using scissors cut out a 1" hole at each location in the upholstery and foam so that holes are visible.



- Attach mounting bracket to back using (2) 1/4"-20 x 1" MSCR and (4) 5/16" Flat Washers.



- Slide threaded post of arm assembly into v-notch in mounting bracket and push the divider towards the bottom of the unit.



### Fringe

#### Upholstered Divider Assembly

#### Recommend Tools

- Phillips Head Screwdriver
- Scissors
- Awl

#### Package Contents

#### Qty.

- |                         |   |
|-------------------------|---|
| • Upholstered Panel     | 1 |
| • Mounting Plate        | 1 |
| • 5/16" Flat Washer     | 7 |
| • 1/4"-20 x 2-1/2" MSCR | 3 |
| • 1/4"-20 x 1" MSCR     | 2 |
| • Template              | 1 |

# NATIONAL

Furniture with Personality™

Telephone 800.482.1717  
Fax 812.482.8800  
[www.NationalOfficeFurniture.com](http://www.NationalOfficeFurniture.com)

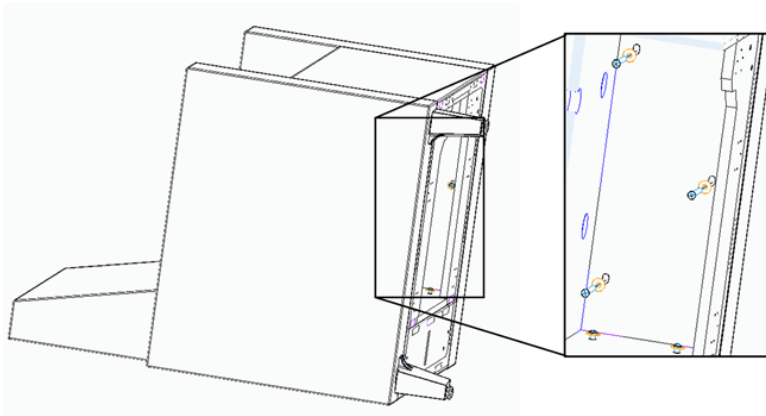
Part # 3325323  
Rev. -

Printed in U.S.A.  
© 2013 Kimball International, Inc.

Proper product installation, in accordance with these instructions, is the responsibility of the installing agent. If you have any questions concerning these instructions, please call National Customer Service 800.482.1717.

## Assembly Instruction

- Reach into the seat box and using screwdriver attach the divider to seat box with (3) 1/4"-20 x 2-1/2" machine screws and (3) 5/16" flat washers.



- Reinstall legs removed in previous step to the bottom of divider panel.
- If ganging unit was removed, reinstall to bottom of divide panel.
- Turn unit right side up.

### Fringe

#### Upholstered Divider Assembly

#### Recommend Tools

- Phillips Head Screwdriver
- Scissors
- Awl

#### Package Contents Qty.

- Upholstered Panel 1
- Mounting Plate 1
- 5/16" Flat Washer 7
- 1/4"-20 x 2-1/2" MSCR 3
- 1/4"-20 x 1" MSCR 2
- Template 1

# NATIONAL

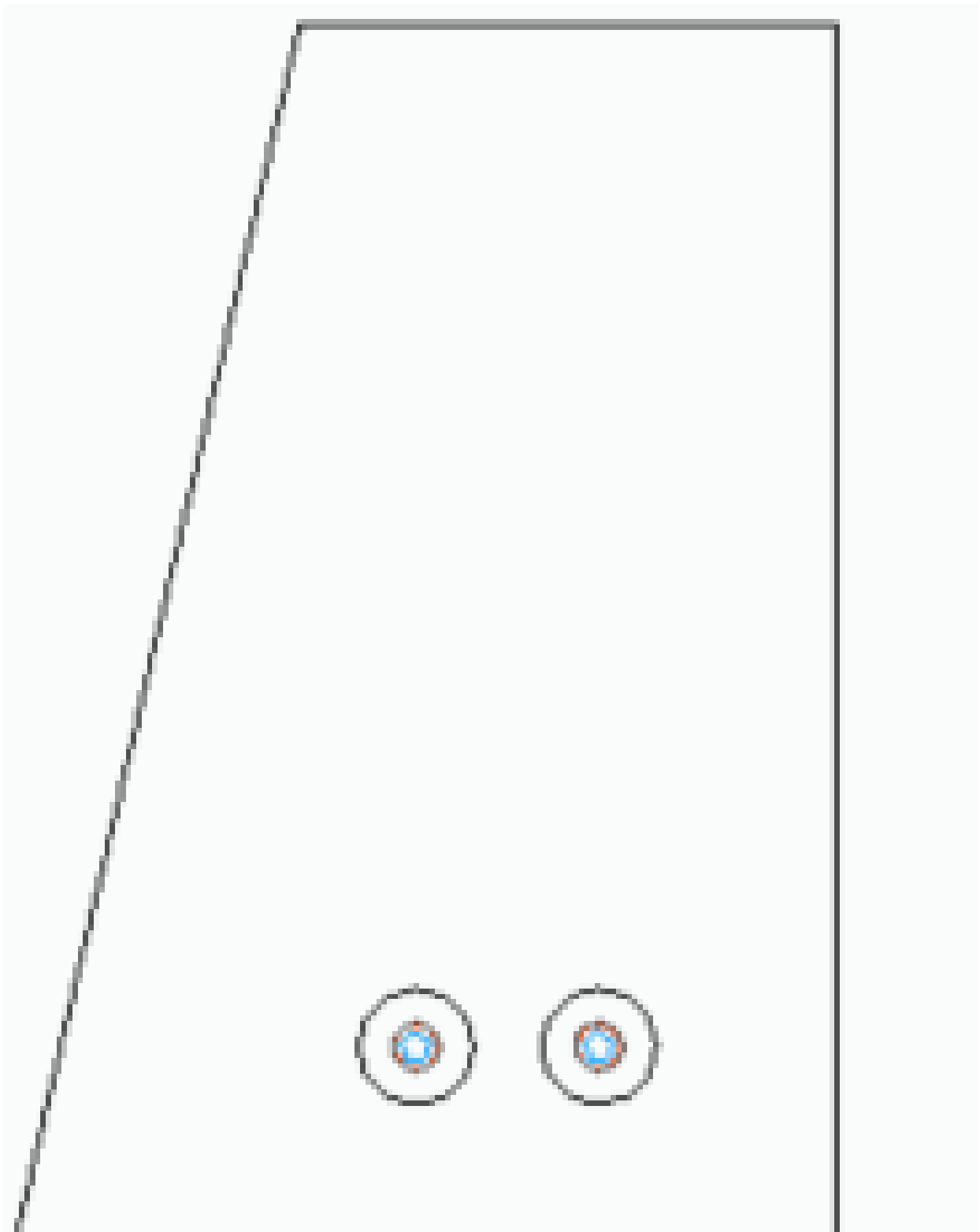
Furniture with Personality<sup>®</sup>

Telephone 800.482.1717  
Fax 812.482.8800  
[www.NationalOfficeFurniture.com](http://www.NationalOfficeFurniture.com)

Part # 3325323  
Rev. -

Printed in U.S.A.  
© 2013 Kimball International, Inc.

Proper product installation, in accordance with these instructions, is the responsibility of the installing agent. If you have any questions concerning these instructions, please call National Customer Service 800.482.1717.



## HOLE TEMPLATE

Telephone 800.482.1717  
Fax 812.482.8800  
[www.NationalOfficeFurniture.com](http://www.NationalOfficeFurniture.com)

Part # 3325323  
Rev. -

Printed in U.S.A  
© 2013 Kimball International, Inc.

Proper product installation, in accordance with these instructions, is the responsibility of the installing agent.  
If you have any questions concerning these instructions, please call National Customer Service 800.482.1717.