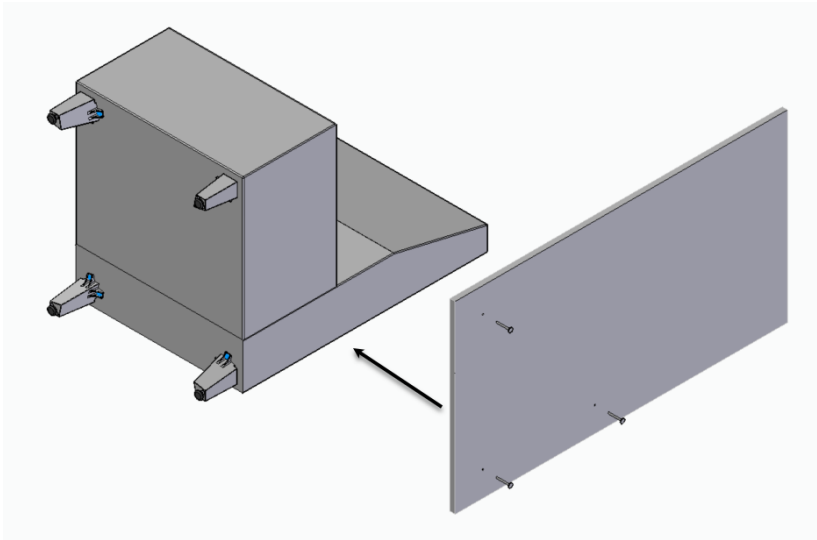


## Assembly Instruction

1

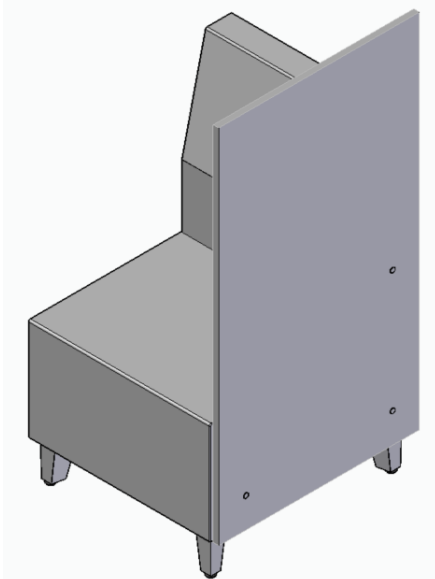
Turn upholstered unit onto its back. Place 1/4" shims underneath long edge of divider panel and slide into place against upholstered unit. Align bottom edges of divider panel and unit. Secure divider panel to unit using (3) socket head wood screws through pre-drilled holes in panel.

\*Unit used may be different than 1-seat model shown.



2

Turn upholstered unit upright. Re-gang as desired.



**Note: Panel may be screwed directly to an upholstered arm assembly as desired. A gap between back of upholstered unit and divider panel will be present.**

Proper product installation, in accordance with these instructions, is the responsibility of the installing agent. If you have any questions concerning these instructions, please call National Customer Service 800.482.1717.

### Fringe

Laminate/Veneer  
Divider Assembly

### Recommended Tools

- 4mm Hex Drive
- Power Drill
- Shims

### Package Contents Qty.

- Divider Panel 1
- Socket Head Wood Screw 3

**NATIONAL**

Furniture with Personality™

Telephone 800.482.1717  
Fax 812.482.8800  
[www.NationalOfficeFurniture.com](http://www.NationalOfficeFurniture.com)

Part # 3329691  
Rev. -

Printed in U.S.A.  
© 2013 Kimball International, Inc.