

Assembly Instruction

- 1** Unpack unit and place on targeted Worksurface edge, centering the screen on the edge. Flush the screen against the edge and attach screen using supplied #8 X 5/8" screws. See in Figure A.

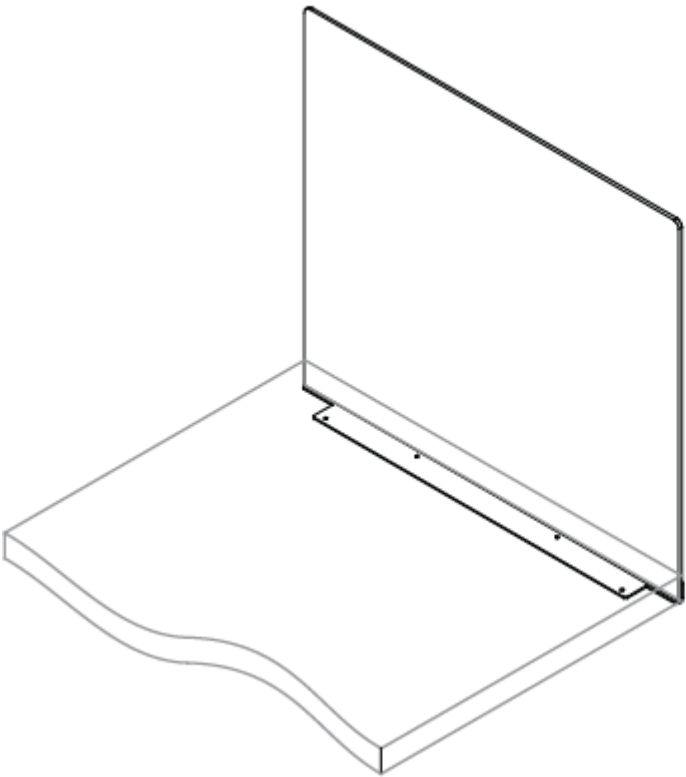


Figure A



Accessory Full Edge Mount

Package Contents

Hardware.....	Qty
#8 x 5/8" panhead woodscrews	varies
Component.....	Qty
Screen	1

Tools Required

Drill (Phillips #2 bit)

Part # 3329703
Rev, -

Printed in U.S.A
© 2015 Kimball International, Inc.

Proper product installation, in accordance with these instructions, is the responsibility of the installing agent.