

Assembly Instruction

1

Unpack unit and place edge clean floor space. Attach both feet using supplied screws as shown in Figure A.

On Surface to Floor models, install supplied Glide.

On Mobile Units, install Casters on feet.

2

Place screen upright and move to desired location.

On surface to floor model adjust glide to come in contact with surface.

Accessory Floor Screen

Package Contents

Hardware.....	Qty
3/8-16 X 1" Flathead Machine Screw	2
#10-32 X 3/4" Flathead Machine Screw	4
#10-32 X 1/2" Flathead Self Thread Scr	4

Component.....	Qty
Screen	1
Feet	2
Surface to Floor	
Glide	1
Mobile	
Casters	4

Tools Required

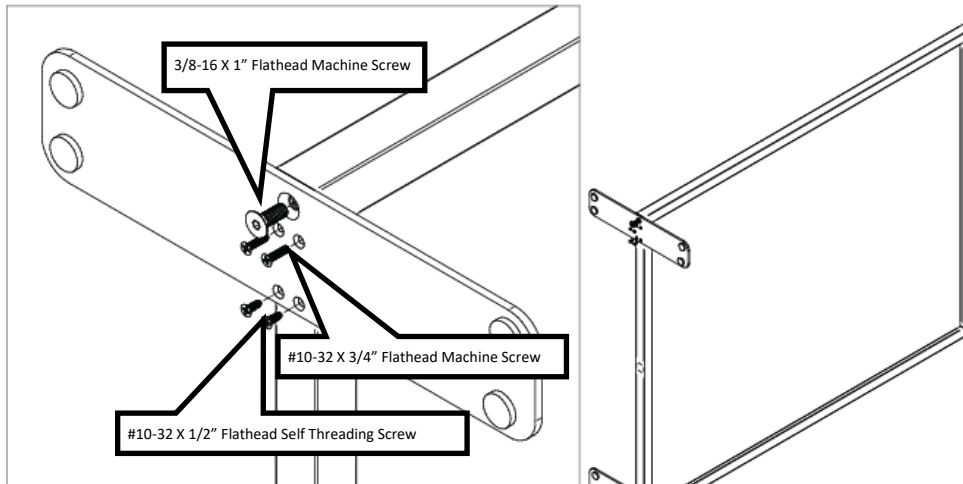
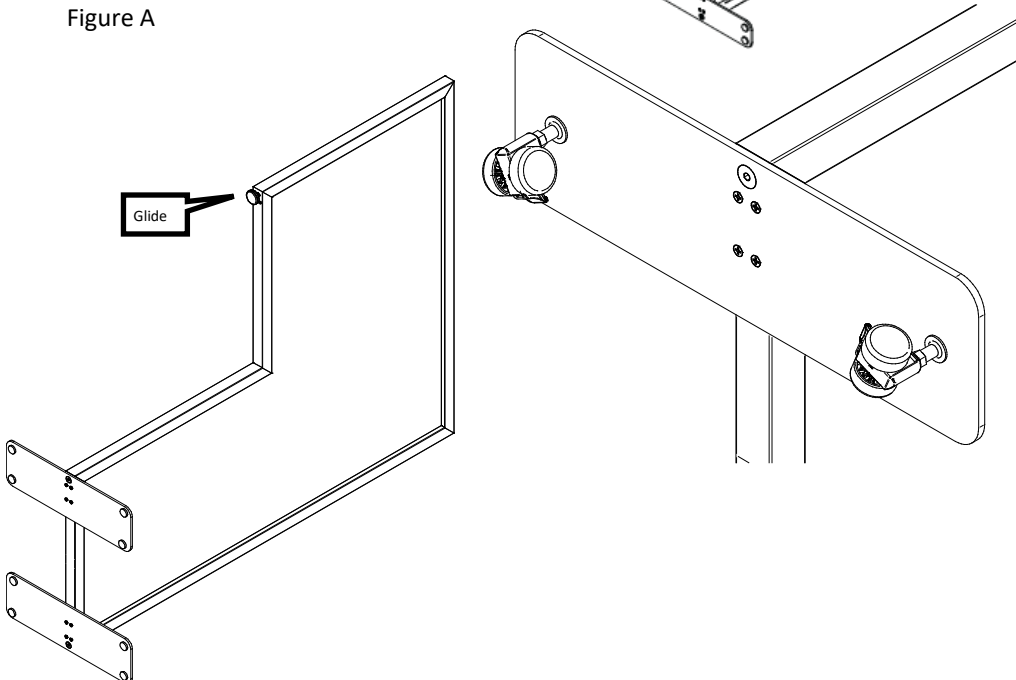


Figure A



Proper product installation, in accordance with these instructions, is the responsibility of the installing agent.

Part # 3329704
Rev, -

Printed in U.S.A
© 2015 Kimball International, Inc.