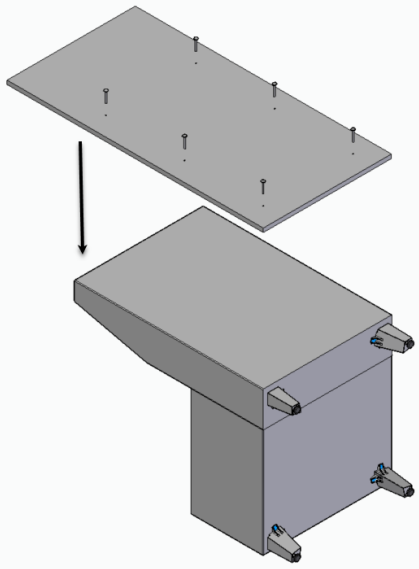


## Assembly Instruction

1

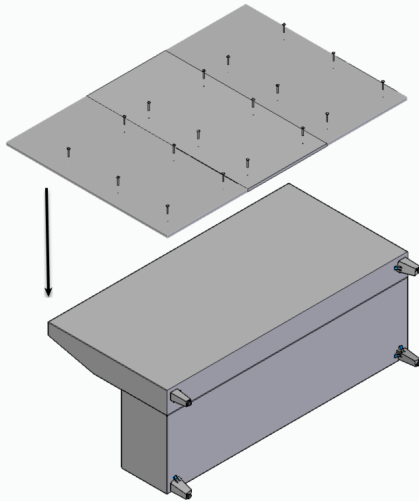
For single seat lounge, turn upholstered unit onto its face. Align bottom edge of back panel and unit. Center back panel left to right on unit. Secure panel to unit using (6) socket head wood screws through pre-drilled holes.



2

For 3-seat lounge, turn upholstered unit onto its face. Center middle back panel left to right on unit (center panel will be 1/4" narrower than left/right panels). Align bottom edge of back panel and unit. Secure panel to unit using (6) socket head wood screws per panel through pre-drilled holes. Add outer panels in same fashion, leaving 1/8" gaps between panels.

\*For 2-seat unit, follow steps above omitting center panel.



3

Turn upholstered unit upright. Re-gang as desired.

### Fringe

Laminate/Veneer Back Panel Assembly

### Recommended Tools

- 4mm Hex Drive
- Power Drill

### Package Contents

Qty.

- |                          |        |
|--------------------------|--------|
| • Divider Panel          | Varies |
| • Socket Head Wood Screw | Varies |

# NATIONAL

Furniture with Personality™

Telephone 800.482.1717  
Fax 812.482.8800  
[www.NationalOfficeFurniture.com](http://www.NationalOfficeFurniture.com)

Part # 3330238  
Rev. -

Printed in U.S.A  
© 2013 Kimball International, Inc.

Proper product installation, in accordance with these instructions, is the responsibility of the installing agent. If you have any questions concerning these instructions, please call National Customer Service 800.482.1717.