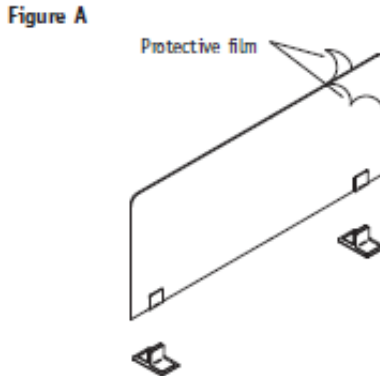
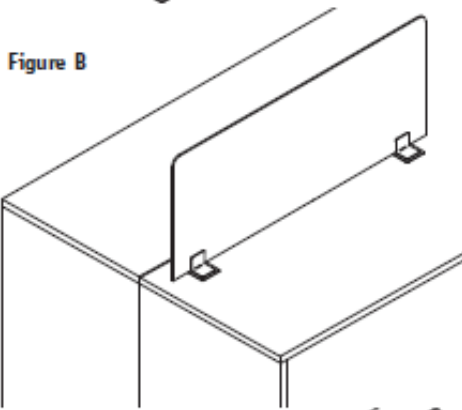


## Assembly Instruction

- 1 Remove the protective film from both sides of the privacy screen panel. Align the pads on the privacy screen panel to the bases (Figure A). **NOTE:** A 48" Unit has (3) pads and bases

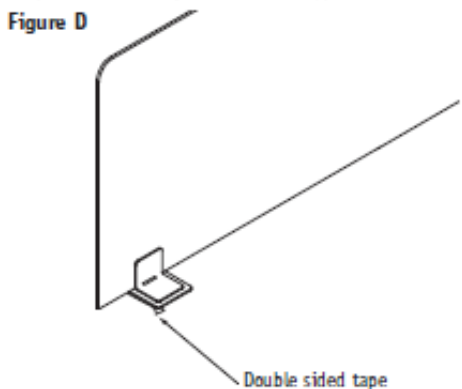
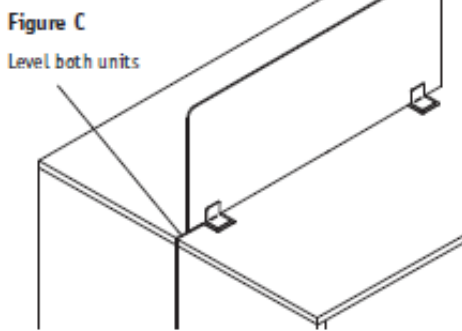


- 2 Position the privacy screen either on a single unit as shown in (Figure B). When the privacy screen is positioned between 2 units, divide the bases to sit on each unit (Figure C) **NOTE:** When sitting between (2) units, ensure both units are flush and level.



- 3 Double sided tape is supplied if the screen is meant to be placed permanently. Be cautious as it is extremely adhesive.

**Note:** Store panels only as flat. Improper storage could cause permanent bowing.



### Accessory Set-On Screens

### Recommended Tools

- Level

### Package Contents

- Unit 1
- Double sided Tape 1

Part # 3330263

Rev, -

Printed in U.S.A

© 2015 Kimball International, Inc.

Proper product installation, in accordance with these instructions, is the responsibility of the installing agent.