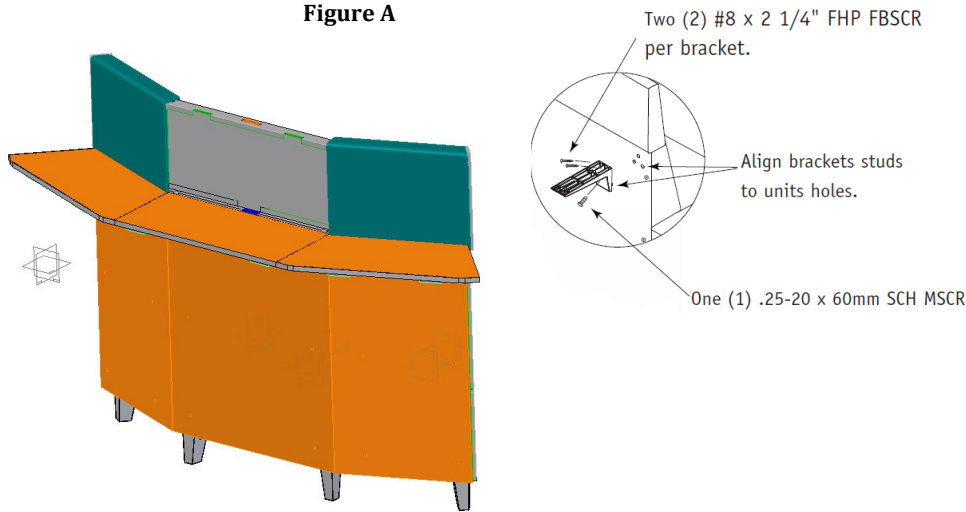


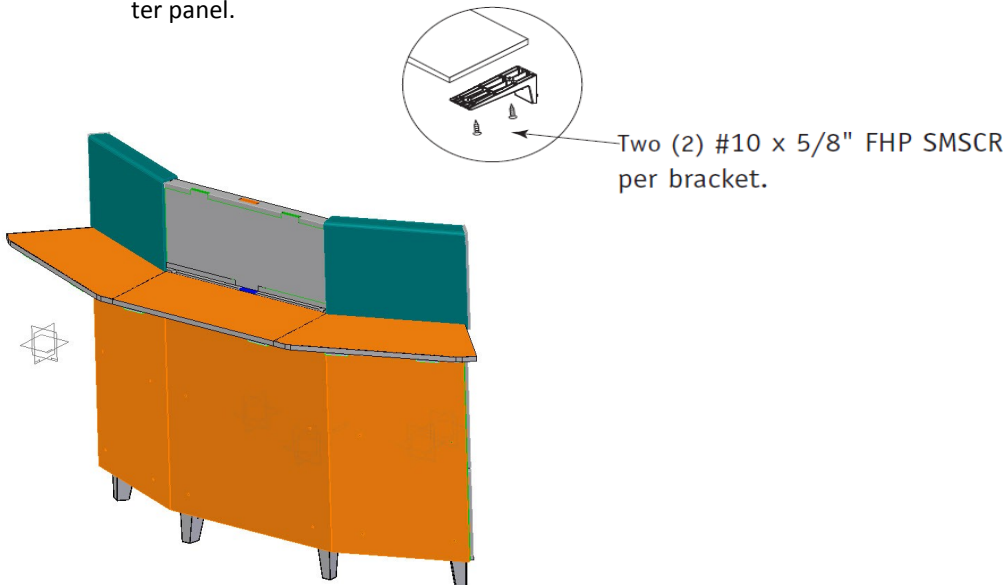
Assembly Instruction

- 1** Place each bracket's studs into the holes align over the predrilled holes. Using a 4mm hex drive, attach each bracket with one (1) .25-20 x 60mm SCH MSCR. Using a screwdriver attach two (2) #8 x 2 1/4" PHP screws per bracket (Figure A).

Figure A



- 2** Lay all three panels onto the brackets. Align mitered corners and push in to remove any gaps between the shelf and the unit. Starting with the two end panels, use the screwdriver attach the shelf to the brackets. Finish by attaching the center panel.



Fringe Bistro Table

Recommend Tools

- Phillips Head Screwdriver
- 4mm hex drive

Package Contents Qty.

• #10 x 5/8" FHP SMSCR BK	28
• #8 x 2 1/4" FHP FBSCR BK	12
• .25-20 x 60mm SCR MSCR	6
	color per order
• Shelf Bracket	6
	color per order
• Flat Bracket	2
	color per order

NATIONAL

Furniture with Personality™

Telephone 800.482.1717
 Fax 812.482.8800
www.NationalOfficeFurniture.com

Part # 2709448
 Rev. -

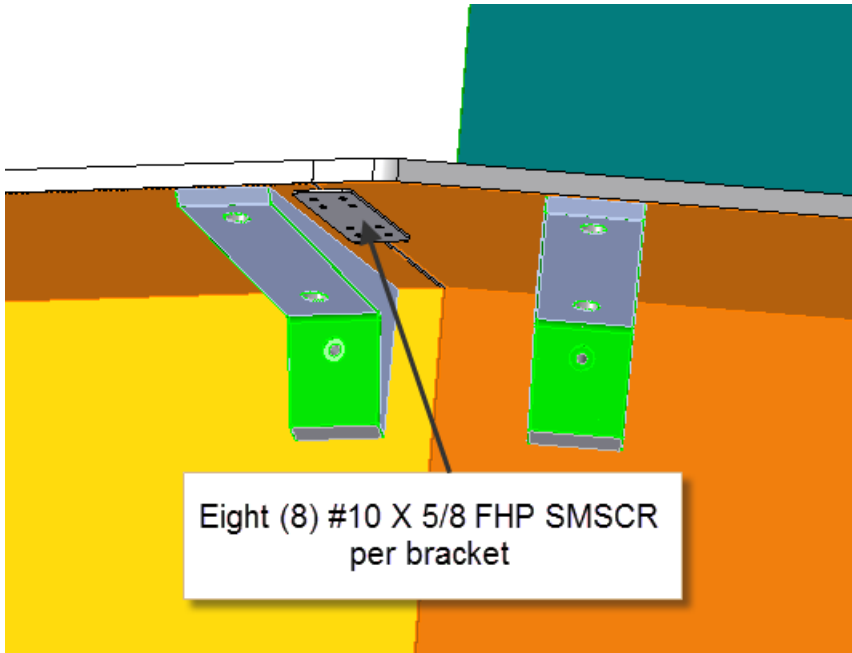
Printed in U.S.A.
 © 2013 Kimball International, Inc.

Proper product installation, in accordance with these instructions, is the responsibility of the installing agent. If you have any questions concerning these instructions, please call National Customer Service 800.482.1717.

Assembly Instruction

3

Attach one flat bracket per mitered edge. Each bracket is attached with eight (8) #10 X 5/8 FHP SMSCR .



Fringe
Bistro Table

NATIONAL

Furniture with Personality™

Telephone 800.482.1717
Fax 812.482.8800
www.NationalOfficeFurniture.com

Part # 2709448
Rev. -

Printed in U.S.A.
© 2013 Kimball International, Inc.

Proper product installation, in accordance with these instructions, is the responsibility of the installing agent. If you have any questions concerning these instructions, please call National Customer Service 800.482.1717.