

Assembly Instruction

1

Remove the tack board from its packaging and separate the wall panel mounting spacers from the back of the tack board. Once unpacked make sure to install it in a timely fashion. If left leaning against a wall it can potentially warp. Store laying flat until ready for installation.

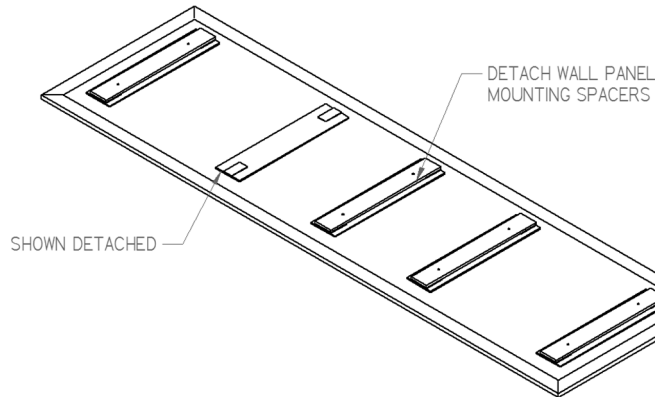


Figure A

2

Measure the distance from the bottom of the tack board to the bottom of mounting spacer. This measurement will vary since tack boards vary from 16 inches to 20 1/4 inches in height. Measure the distances between the spacers and mark those locations onto the mounting surface of choice.

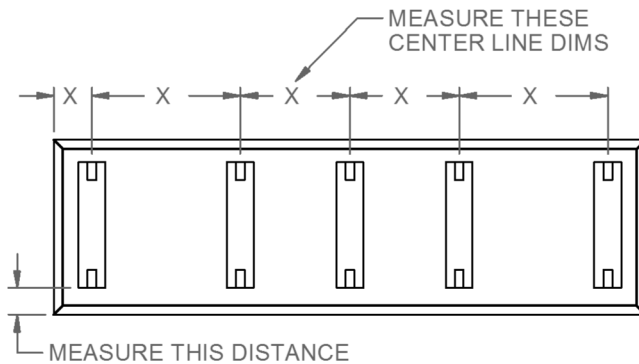


Figure B

3

High back Installation

Very important, before attaching the spacers to the back panel, make sure the hutch is properly secured. Using the measurement between the bottom of the spacers to the bottom of the tack board, place a line on the hutch back panel as shown in Figure C. Use the tack board as the guide for locating the panel mount spacers. Use #8 x 5/8" long wood screws to secure the spacers to the hutch back panel. The installer is responsible for providing all fastening hardware.

Tack Board Placement and Mounting for TBRA Series

Recommend Tools

- Tape measure
- Power drill w/ screw bits
- Pencil

Package Contents Qty.

- | | |
|----------------|-----------|
| • Tack Board | 1 |
| • Spacer Rails | As Needed |

NATIONAL

Furniture with Personality®

Telephone 800.482.1717
Fax 812.482.8800
www.NationalOfficeFurniture.com

Part # 2780287
Rev. -

Printed in U.S.A.
© 2015 Kimball International, Inc.

Proper product installation, in accordance with these instructions, is the responsibility of the installing agent. If you have any questions concerning these instructions, please call National Customer Service 800.482.1717.

Assembly Instruction

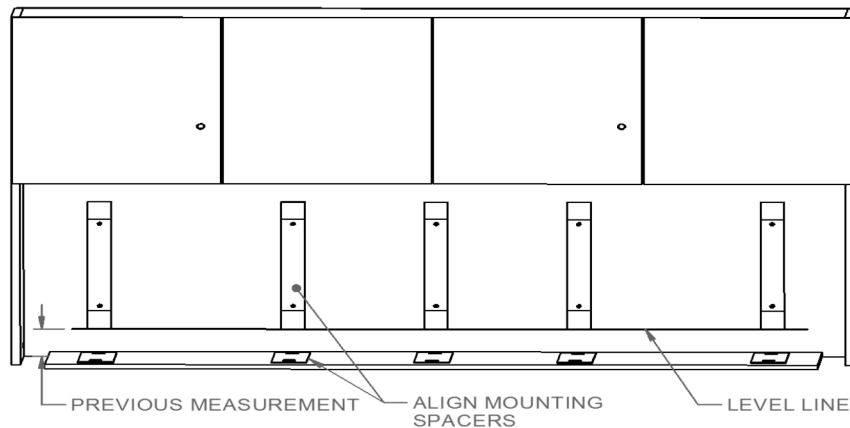


Figure C

4

After the spacers are secured, attach the tack board to the hutch panel. Press firmly on the tack board so that the hook and loop fasteners engage.

5

Wall Mounting Installation

This section of this Assembly Instruction describes the installation of the tack board on a wall with wooden studs. Installation in other wall conditions such as metal studs or masonry block will require appropriate fasteners recommended; fasteners are NOT supplied.

Locate the wall substructure along the fastener location lines. Prepare wall for attachment by pre-drilling for fasteners along lines per the fastener manufacturer's guidelines.

NOTICE: It is the responsibility of the installer and/or the contractor to select and install the proper fasteners. National does not furnish fasteners or assume liability for their use.

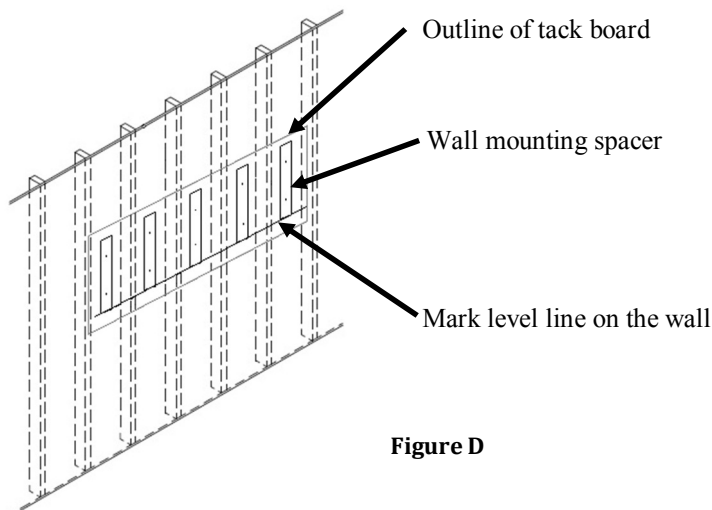


Figure D

Tack Board Placement and Mounting for TBRA Series

Recommended Fasteners

Note: Not supplied

Steel Stud (for 1/2" to 3/4" dry-wall):

Toggler Brand anchor 50BB 1/4"

Hilti Toggler anchor 3/16"

Molley anchor 1/4"

Wood Stud (for 1/2" to 3/4" drywall):

#8 x 2" flat head sheet metal screw into conical drywall anchors

Solid Masonry:

Hillman 1/4"-20 machine screw anchor

Tapcon 1/4"-2 3/4" hex washer head

Masonry Block:

Toggler Brand anchor 50BB 1/4"

Hilti Toggler anchor 1/4"

Hillman 1/4"-20 machine screw anchor

Tapcon 1/4"-2 3/4" hex washer head

Highback:

#8 x 5/8" pan head wood screw

NATIONAL

Furniture with Personality™

Telephone 800.482.1717
Fax 812.482.8800
www.NationalOfficeFurniture.com

Part # 2780287
Rev. -

Printed in U.S.A.
© 2015 Kimball International, Inc.

Proper product installation, in accordance with these instructions, is the responsibility of the installing agent. If you have any questions concerning these instructions, please call National Customer Service 800.482.1717.