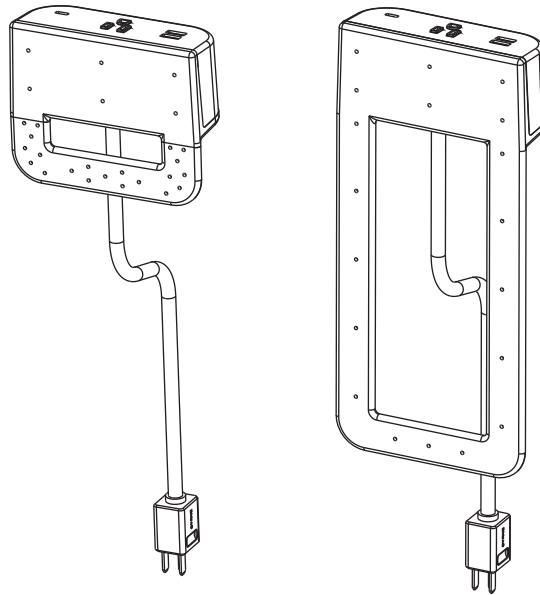




## INSTALLATION INSTRUCTIONS



The tail of the Tully unit can bend and flex to help keep the unit in place

