

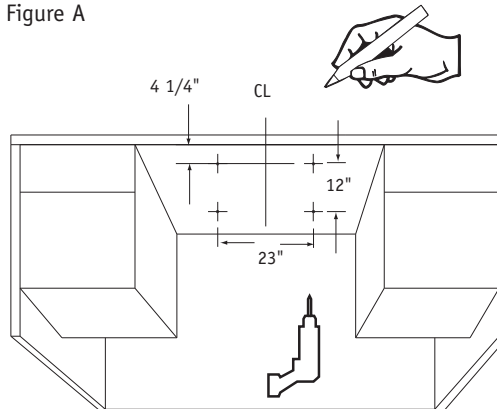
ASSEMBLY INSTRUCTIONS

WARNING! CAUTION!

CAUTION: With out Drawer stops Drawer can be pulled completely out and screws will go through the Top.

1 Measure and mark the center of the kneespace area. Measure and mark the (4) pilot holes (Figure A).

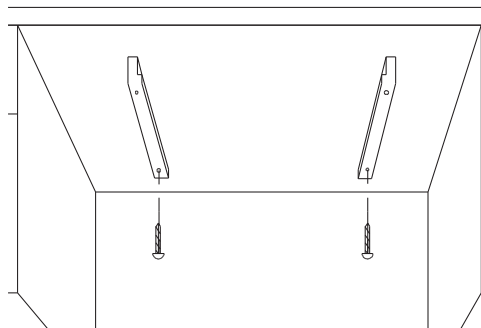
Figure A



2 Drill (4) 3/32" diameter holes 3/16" deep where marked in Figure A. **(Caution: wrap a piece of tape around the drill at desired depth to avoid drilling through top.)**

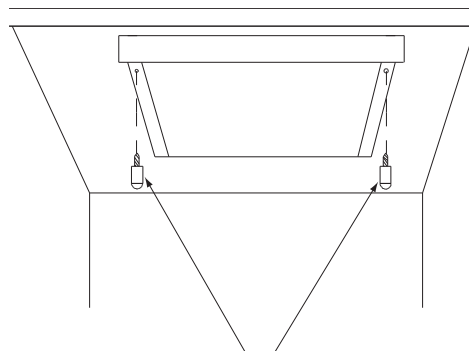
3 Fasten each suspension rail in the rear with (1) #8 x 2" Pan head Screw into rear the pre bored holes (Figure B).

Figure B



4 Install Center Drawer in suspension rails. Fasten (2) #8 x 2 3/4" pan head screws with attached drawer stops and washers in the pre bored holes in the front of the suspension rails (Figure C).

Figure C



WARNING: WITHOUT THESE DRAWER STOPS THE SCREWS WILL GO THROUGH THE TOP.

General Purpose
Center Drawer

Recommended Tools

- Phillips Head Screwdriver
- Tape Measure
- Square
- #No. 2 Pencil

Package Contents Qty.

- Drawer Suspension Rails 2
- Nylon Spacer 2
- Rubber Washer 2
- #8 x 2" Panhead screws 2
- #8 x 2 3/4" Panhead screws 2

NATIONAL

Furniture with Personality®

Telephone 800.482.1717
Fax 812.482.8800
www.nationalonline.com

Part #1412927
Revision: ,C

Printed in U.S.A
© 2008 Kimball International, Inc.

Proper product installation, in accordance with these instructions, is the responsibility of the installing agent. If you have any questions concerning these instructions, please call National Customer Service.