

Myriad™ Training Table Modesty Panel

Recommended Tools

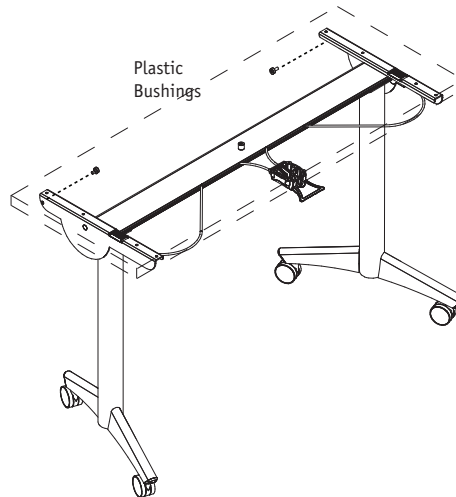
- Rubber Mallet

Package Contents	Qty.
• Modesty Panel	1
• Plastic Bushings	2

1

NOTE: The modesty panel consists of (2) black plastic bushings and a modesty panel assembly. Using the rubber mallet, insert the two black plastic bushings into the holes in the table frame assembly (Figure A).

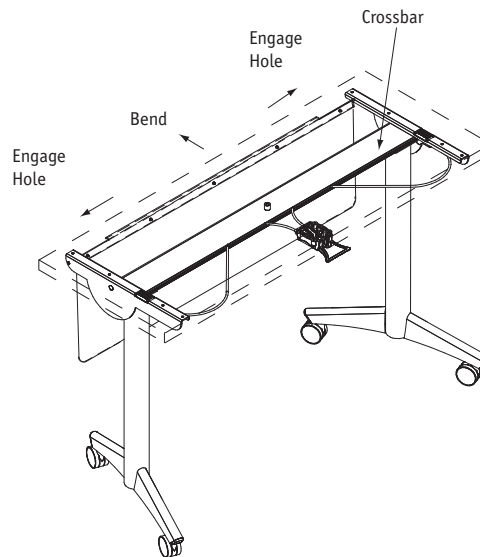
Figure A



2

Position the modesty panel so the screwheads are facing away from the crossbar. The frosted side of the acrylic modesty panel should face the approach side of the table. Insert one end of the modesty panel into one of the black plastic bushings. To insert the second end, pull the center of the modesty panel slightly forward as you engage the modesty panel into the second black plastic bushing (Figure B).

Figure B



NOTE: Once modesty panel is installed you may need to slightly flex the middle of the modesty panel toward the crossbar to remove any bend that may have appeared during installation.

NATIONAL | Furniture with Personality™

Telephone 800.482.1717
 Fax 812.482.8800
 www.nationalonline.com

Part #2129444
 Rev , -

Printed in U.S.A
 © 2008 Kimball International, Inc.

Proper product installation, in accordance with these instructions, is the responsibility of the installing agent. If you have any questions concerning these instructions, please call National Customer Service.