

Assembly Instructions

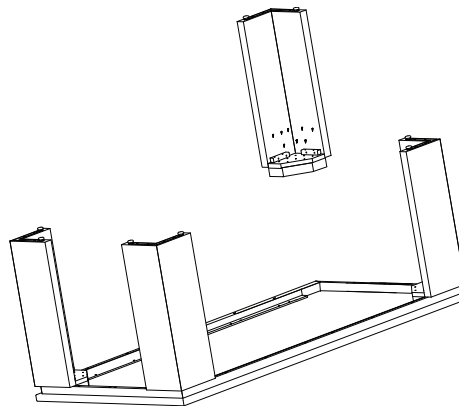
1

The table desk will arrive unassembled with the worksurface and legs boxed and located in the carton, un-carton all contents. Carefully place the worksurface face down on a smooth, clean, soft surface.

2

Place leg onto bottom side of worksurface into position in corner. Attach leg to worksurface with eight (8) #8 x 3" panhead screws per leg. Repeat step for other legs (Figure A).

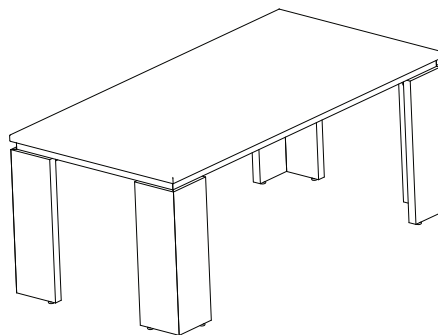
Figure A



3

After all legs are attached, carefully lift and turn table desk to the upright position and **level** desk. (It is recommended to have more than one person available when turning table to upright position (Figure B)).

Figure B



Casbah™ Table Desk

Recommended Tools

- Level
- Phillips Head Screwdriver

Package Contents

	Qty.
• Table Desk	1
• Legs	4
• #8 x 3" panhead screws	32

NATIONAL

Furniture with Personality®

Telephone 800.482.1717
Fax 812.482.8800
www.nationalonline.com

Part #2071186

Printed in U.S.A.
© 2007 Kimball International, Inc.

Proper product installation, in accordance with these instructions, is the responsibility of the installing agent. If you have any questions concerning these instructions, please call National Customer Service.