

Eloquence™ Series Ganging Chair-to-Chair

Recommended Tools

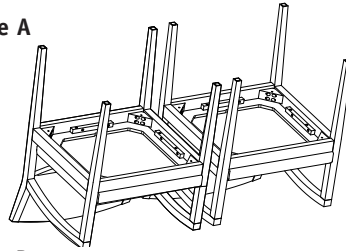
- Cordless Drill

Package Contents	Qty.
• Ganging Bracket	1
• #10 x 1 1/2" Screws	6

1

On a smooth, clean, soft surface, tip chairs (that are to be ganged together) forward so the top rail of each chair is against the floor (Figure A).

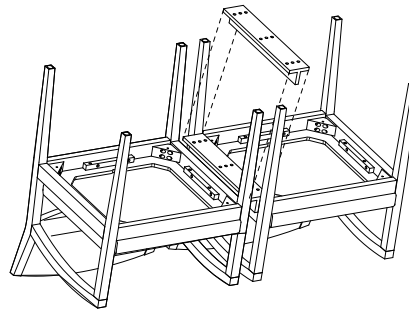
Figure A



2

Place the ganging bracket so that the vertical piece of wood is between each chair and the flat edges are flush with the bottom surface of the side rails (Figure B).

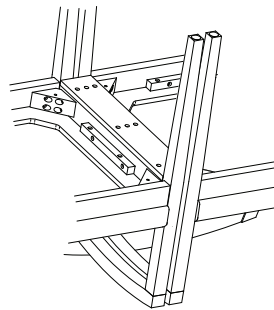
Figure B



3

Push chairs together so that the sides of the wood bracket are flush with the chair rails and the front legs of the chairs are aligned evenly to one another (Figure C).

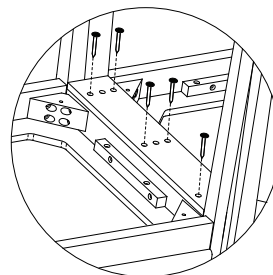
Figure C



4

Using a cordless drill, insert six (6) #10 x 1 1/2" screws through each of the holes leading into rails of chairs.

Figure D

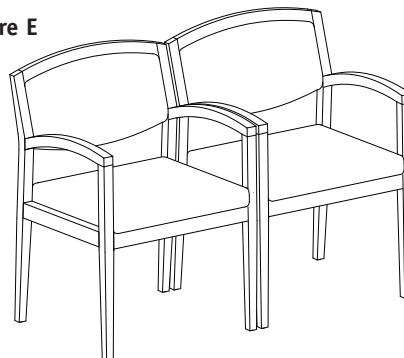


Note: Center holes on bracket are not used during this installation (Figure D).

5

Tip chairs back to their original upright position (Figure E).

Figure E



Proper product installation, in accordance with these instructions, is the responsibility of the installing agent. If you have any questions concerning these instructions, please call National Customer Service.

NATIONAL

Furniture with Personality®

Telephone 800.482.1717

Fax 812.482.8800

www.nationalonline.com

Part #2010530

Printed in U.S.A

© 2007 Kimball International, Inc.