

## Assembly Instructions

**NOTE:** The bridge can be attached between a desk and credenza or return. A desk and credenza are used as examples in this instruction.

1

Attach mounting brackets to underside of desk and credenza worksurfaces where they will attach to the bridge worksurface. Center the brackets with the edge of the worksurfaces. Attach brackets to desk using provided #10 x 3/4" panhead screws - four (4) per bracket (Figure A and Figure B).

Figure A

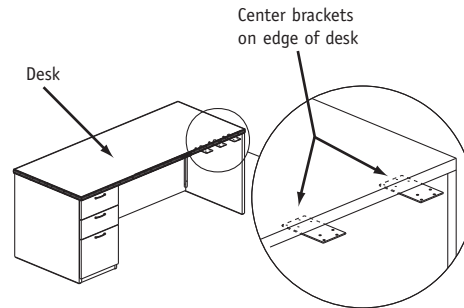
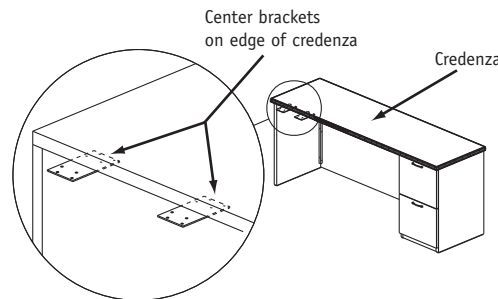


Figure B

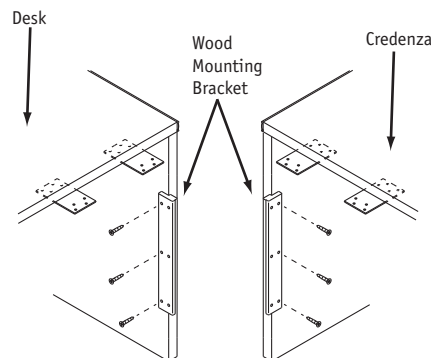


2

Center wood mounting bracket on desk and credenza end panel and attach using three (3) #8 x 1" flathead screws provided (Figure C).

**NOTE:** Due to a change in design, the wood mounting rail is made universal for use on both the old and new designs. Only one side of the wood mounting rail will be attached to the desk or credenza end panel, and only the center holes will be used on a bridge modesty panel. Determine the thickness of the end panel on the desk or credenza, then orient the wood mounting rail as shown in Figure F. The 1/2" side of the wood mounting rail attaches to 1 1/16" end panels. The 3/8" side of the wood mounting rail attaches to the 1 3/16" end panels. When the wood mounting rail is installed correctly, the bridge modesty panel will be inset 1/16".

Figure C



Casegoods

### Flourish™ Bridge Assembly

#### Recommended Tools

- Screw Gun
- Phillips Head Bit
- Level

Package Contents	Qty.
• Bridge	1
• Modesty Panel	1
• Mounting Brackets	4
• Wood Mounting Rails	2
• #10 x 3/4" Panhead Screws	32
• #8 x 1" Flathead Screws	6
• #8 x 1 1/8" Flathead Screws	6
• #8 x 1 1/2" Panhead Screws	6

NATIONAL | Furniture with Personality™

Telephone 800.482.1717  
Fax 812.482.8800  
www.nationalofficefurniture.com

Part #2106951  
Rev,

Printed in U.S.A  
© 2009 Kimball International, Inc.

Proper product installation, in accordance with these instructions, is the responsibility of the installing agent. If you have any questions concerning these instructions, please call National Customer Service.

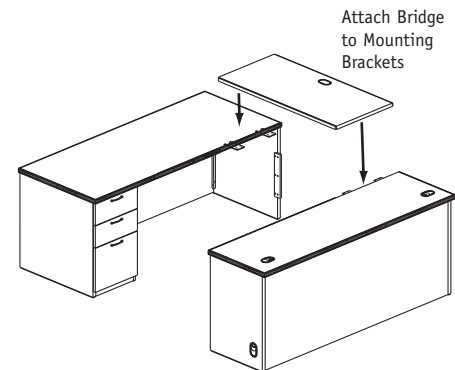
## Assembly Instructions

Casegoods

### Flourish™ Bridge Assembly

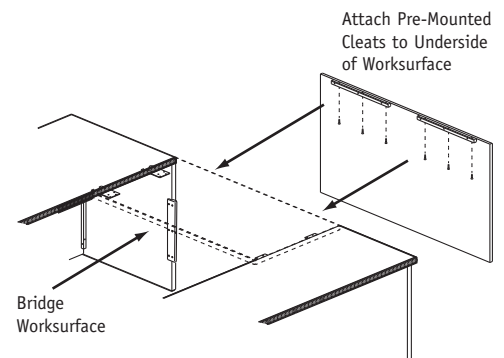
**3** Move desk and credenza into desired positions. Level units. Place bridge worksurface on mounting brackets. Adjust all units so all worksurfaces are flush, with no gaps. Attach bridge worksurface to all mounting brackets with provided #10 x 3/4" panhead screws - four (4) per bracket (Figure D).

Figure D



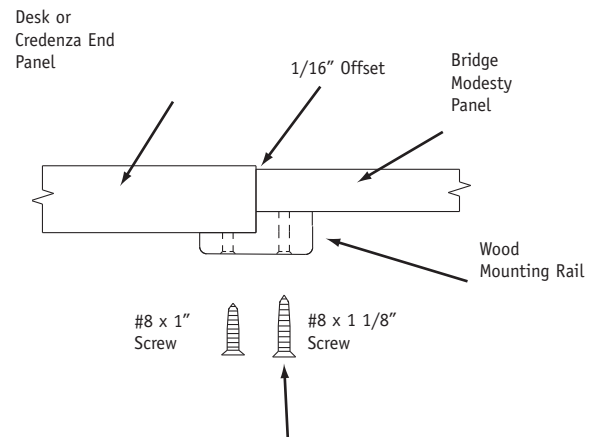
**4** Place bridge modesty panel in place against wood mounting rails. If necessary, adjust units so there is no gap between modesty panel and end panels of desk and credenza. Attach bridge worksurface to cleats pre-mounted on modesty panel to wood mounting rails using six (6) #8 x 1 1/2" panhead screws provided (Figure E.) Attach bridge modesty panel to wood mounting rails using three (3) of the provided #8 x 1 1/8" flathead screws in each mounting rail (Figure F).

Figure E



**REMEMBER:** When the wood mounting rail is installed correctly, the bridge modesty panel is inset 1/16" from the desk or credenza end panel.

Figure F



Proper product installation, in accordance with these instructions, is the responsibility of the installing agent. If you have any questions concerning these instructions, please call National Customer Service.