

Assembly Instruction

1

Screw in the two provided adjustable glides into the freestanding foot as shown in **Figure A**. Repeat for the second foot.

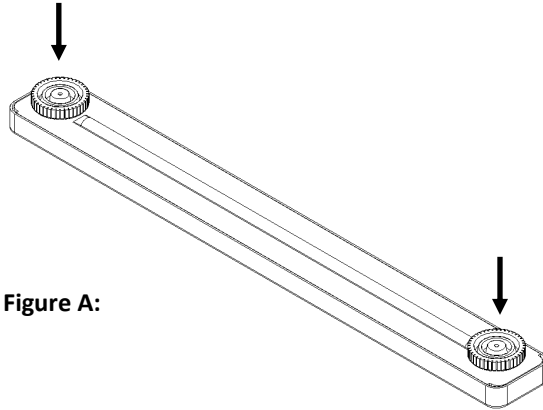


Figure A:

2

With the leg upside down. Attach the freestanding foot to the bottom of the adjustable height leg using the four provided M8x20 screws as shown in **Figure B**. Repeat for the second foot.

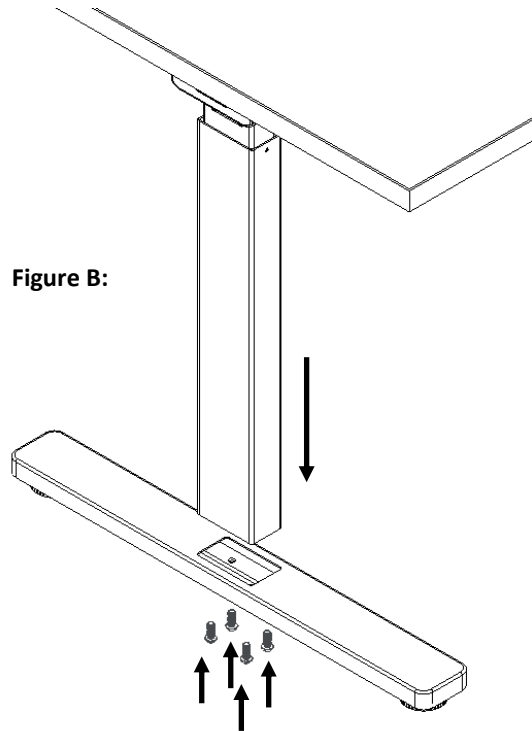


Figure B:

Alloy Freestanding Feet

Package Contents

Hardware	Qty
M8 x 20 Screws	8
Adjustable Glide	4

Component	Qty
Freestanding Foot	2

Tools Required
5mm Allen Wrench

NATIONAL

Furniture with Personality®

Telephone 800.482.1717
Fax 812.482.8800
www.NationalOfficeFurniture.com

Part # 2892081
Rev. -

Printed in U.S.A.
© 2014 Kimball International, Inc.

Proper product installation, in accordance with these instructions, is the responsibility of the installing agent. If you have any questions concerning these instructions, please call National Customer Service 800.482.1717.