

Assembly Instruction

- 1 Verify that the powered beam has been fully installed before beginning vertical wire manager assembly.
- 2 Remove the adhesive pad cover from the end bracket of the E Chain. Guide the E Chain through the bottom opening on the powered beam wire manager. Align the bottom of the adhesive pad to the bottom edge of the wire manager. Firmly press the adhesive pad onto the powered center beam U Channel (Figure A) Making sure to keep the chain as perpendicular to the ground as possible.

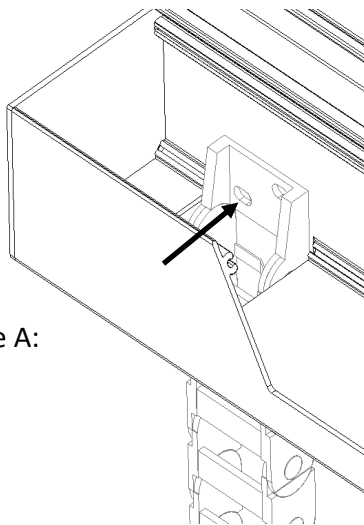


Figure A:

- 3 Using the two provided #10 woodscrews secure the opposite end of the E Chain to the underside of the worksurface (Figure B).

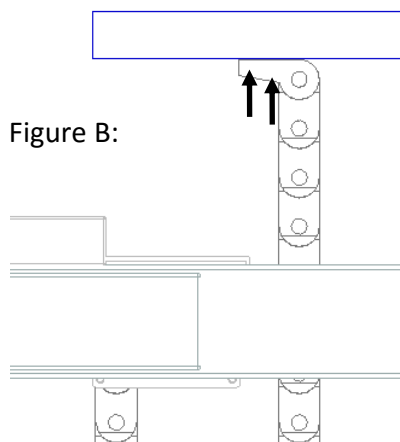


Figure B:

- 4 Verify chain runs up and down without binding or dragging. Run required electrical cords through the E Chain to prevent pulling and tangling.

Alloy
Spine / Vertical Wire
Manager

Package Contents

Hardware	Qty
#10 x 3/4" Woodscrew	2

Component	Qty
E Chain	1

Tools Required
#2 Phillips Head Bit
Screw Driver

NATIONAL

Furniture with Personality®

Telephone 800.482.1717
Fax 812.482.8800
www.NationalOfficeFurniture.com

Part # 2891777
Rev. A

Printed in U.S.A.
© 2014 Kimball International, Inc.

Proper product installation, in accordance with these instructions, is the responsibility of the installing agent. If you have any questions concerning these instructions, please call National Customer Service 800.482.1717.