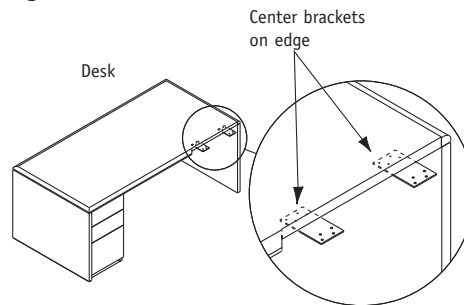


## Assembly Instructions

1

Attach mounting brackets to underside of desk and credenza worksurfaces where they will attach to the U-bridge worksurface. Center the brackets with the edge of the worksurfaces. Attach brackets using the provided #10 x 3/4" panhead screws - four (4) per bracket (Figure A).

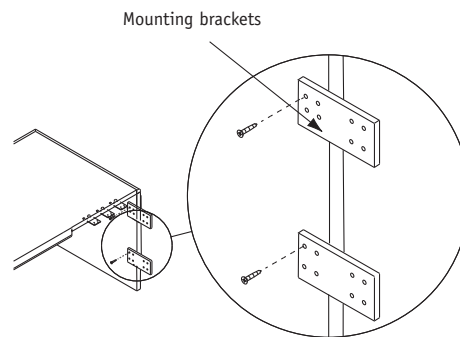
Figure A



2

Center mounting brackets on desk and credenza end panel and attach using #10 x 3/4" panhead screws - four (4) per bracket (Figure B).

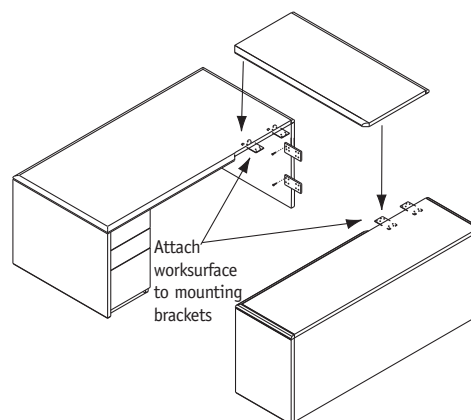
Figure B



3

Move desk and credenza into desired positions. Level units. Place U-bridge worksurface on mounting brackets. Adjust all units so all worksurfaces are flush, with no gaps. Attach U-bridge worksurface to all mounting brackets with provided #10 x 3/4" panhead screws - four(4) per bracket (Figure C).

Figure C



### Casegoods

### Roosevelt Bridge Assembly

### Recommended Tools

- Screw Gun
- Phillips Head Bit
- Level
- Square

Package Contents	Qty.
• Mounting Brackets	4
• #10 x 3/4" Panhead Screws	32
• #8 x 1 1/4" Panhead Screws	6

**NATIONAL**™

Telephone 800.482.1717  
Fax 812.482.8800  
[www.nationalofficefurniture.com](http://www.nationalofficefurniture.com)

Part #2195768  
Rev

Printed in U.S.A  
© 2009 Kimball International, Inc.

Proper product installation, in accordance with these instructions, is the responsibility of the installing agent. If you have any questions concerning these instructions, please call National Customer Service.

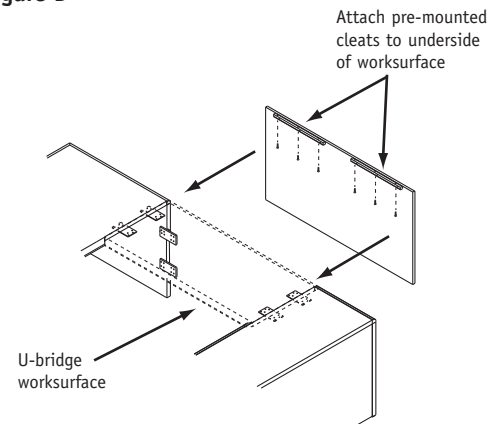
## Assembly Instructions

Casegoods

### Roosevelt Bridge Assembly

- 4** Place U-bridge modesty panel in place against mounting brackets. If necessary, adjust units so there is no gap between modesty panel and end panels of desk and credenza. Attach U-bridge worksurface to cleats pre-mounted on modesty panel using the six (6) #8 x 1 1/4" panhead screws provided (Figure D).

Figure D



- 4** Attach U-bridge modesty panel to mounting brackets using #10 x 3/4" panhead screws (Figure E).

Figure E

