

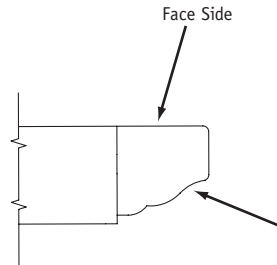
Assembly Instructions

Cornice

1

When installing the cornice assembly, turn the face side in the up position. The face side is the flat surface. The detail shape is in the down direction (Figure A).

Figure A



2

Center cornice frame onto unit. Attach cornice frame using the six (6) #8 x 1 1/4" screws. Insert screws through the holes in the top of the bookcase unit into the cornice frame.

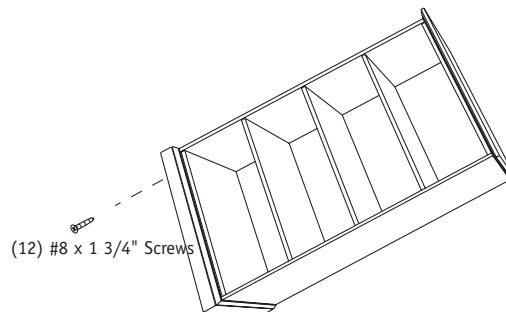


Base

1

With bookcase unit on it's back, place base frame onto unit. Attach base frame using the twelve (12) #8 x 1 3/4" screws. Insert screws through the holes in the cleats of the base unit into the bookcase (Figure B).

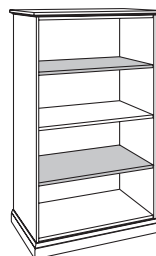
Figure B



2

Place bookcase in upright user position (Figure C).

Figure C



Casegoods

Roosevelt™ Cornice Frame and Base Placement

Recommended Tools

- Cordless Screwdriver with Phillips bit

Package Contents	Qty.
• #8 x 1 1/4" Screws	6
• #8 x 1 3/4" Screws	12

NATIONAL™

Telephone 800.482.1717
Fax 812.482.8800
www.nationalofficefurniture.com

Part #2195773
Rev

Printed in U.S.A.
© 2006 Kimball International, Inc.

Proper product installation, in accordance with these instructions, is the responsibility of the installing agent. If you have any questions concerning these instructions, please call National Customer Service.