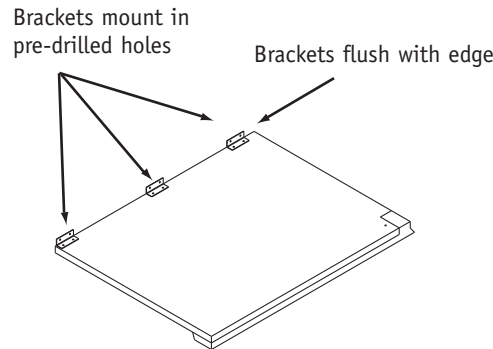


Assembly Instructions

1

Place the long side panel face down on a smooth, hard surface. Take care to not mar the face. Attach three (3) L-brackets to the panel using the #8 x 5/8" panhead screws in the pre-drilled holes in the panel. The tops of the L-brackets must be flush with the edge of the panel (Figure A.)

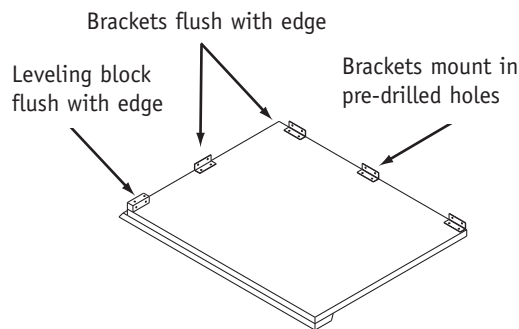
Figure A



2

Place the short side panel face down on a smooth, hard surface. Take care to not mar the face. Attach four (4) L-brackets to the panel using the #8 x 5/8" panhead screws in the pre-drilled holes in the panel. The tops of the L-brackets must be flush with the edges of the panel. Attach the single leveling block to the panel using two (2) #8 x 1 3/4" panhead screws in the pre-drilled holes in the panel. The edge of the leveling block must be flush with the edge of the panel (Figure B).

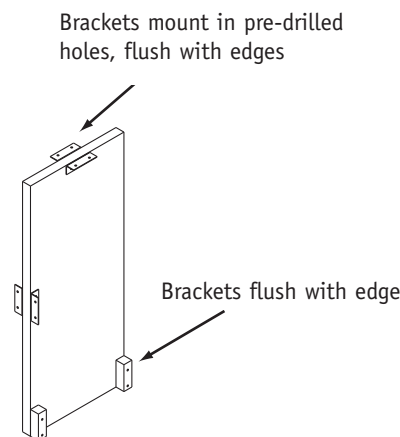
Figure B



3

Attach four (4) L-brackets (2 on each side) to each support panel using the #8 x 5/8" panhead screws in the pre-drilled holes in each panel. The tops of the L-brackets must be flush with the edges of the panels.

Figure C

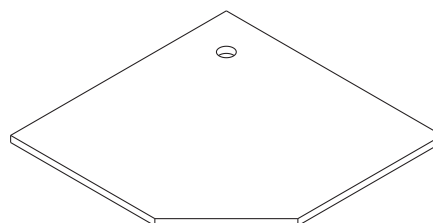


Note: Support panels have leveling blocks factory-installed (Figure C).

4

Place CRT top upside down on a smooth, hard surface. Take care to not mar the worksurface (Figure D).

Figure D



Casegoods

Roosevelt CRT

Recommended Tools

- Phillips Screwdriver

Package Contents

	Qty.
• CRT Top	1
• Long Side Panel	1
• Short Side Panel	1
• Support Panel w/leveling Blocks	2
• Leveling Block (unattached)	1
• L-Brackets	15
• #8 x 5/8" Panhead Screws	60
• #8 x 1 3/4" Panhead Screws	4

NATIONAL™

Telephone 800.482.1717
Fax 812.482.8800
www.nationalofficefurniture.com

Part# 1493371
Rev

Printed in U.S.A
© 2009 Kimball International, Inc.

Assembly Instructions

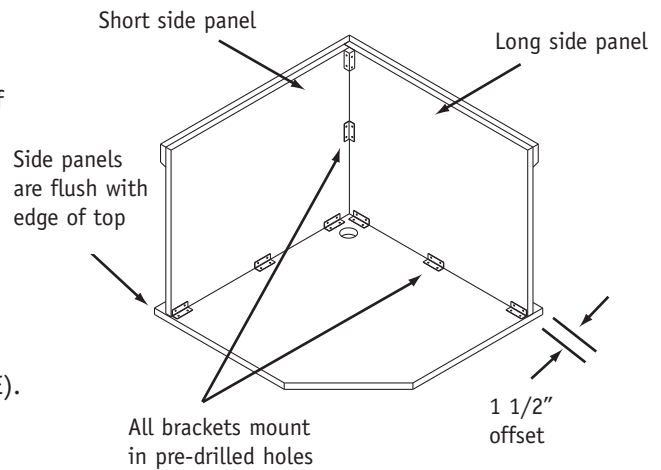
Casegoods

Roosevelt
CRT

- 5** Attach L-brackets on the long and short side panels to the CRT top using the #8 x 5/8" panhead screws in the pre-drilled holes in the top. Attach the L-bracket in the middle of the short side panel to the long side panel using the #8 x 5/8" panhead screws in the pre-drilled holes in the long side panel.

Note: When side panels are mounted, they are inset 1 1/2" from the long sides of the top and flush with the two shorter sides of the top (Figure E).

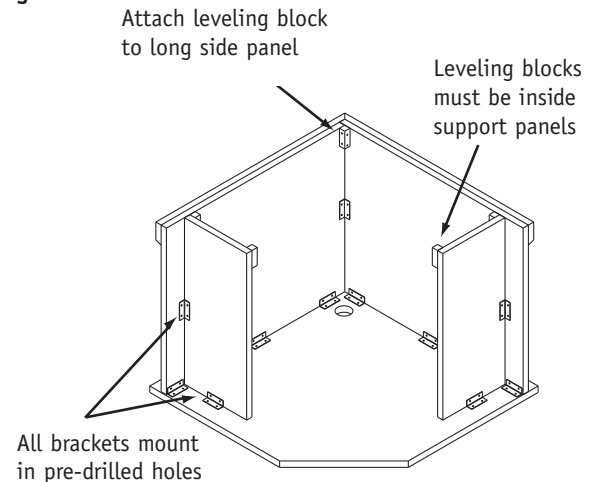
Figure E



- 6** Attach L-brackets on support panels to the top and to the side panels using the #8 x 5/8" panhead screws in the pre-drilled holes. Make sure leveling blocks on support panels are towards the inside of the assembly. Attach the single leveling block to the long side panel using two (2) #8 x 1 3/4" panhead screws in the pre-drilled holes in the panel.

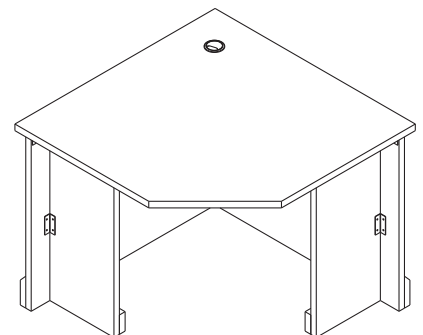
Note: When support panels are mounted, they are inset 3 1/2" from the edges of the top and side panels (Figure F).

Figure F



- 7** Tighten all screws securely. Carefully turn unit upright (Figure G).

Figure G



Proper product installation, in accordance with these instructions, is the responsibility of the installing agent. If you have any questions concerning these instructions, please call National Customer Service.