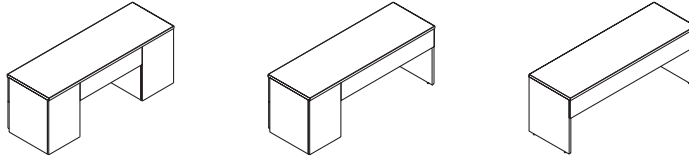


The 1/3 Height Modesty Panel may be used as a Main, Extension or Filler panel as shown in the examples below. This Assembly Instruction sheet shows the installation of a Main Panel between two (2) Pedestals.

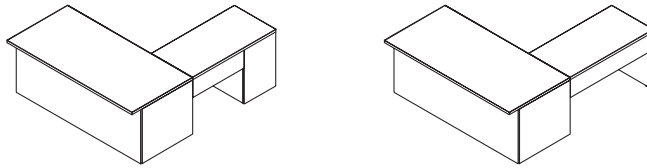
Assembly Instructions

1/3 Height Modesty Panel

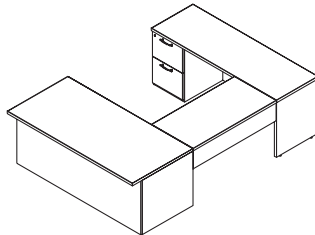
MAIN



EXTENSION



FILLER



Recommended Tools

- Tape measure
- Power drill
- Phillips head bit

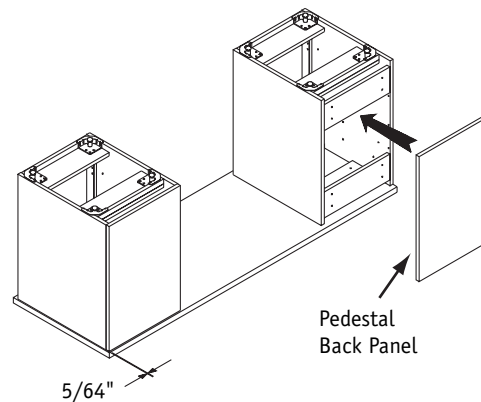
Package Contents

	Qty.
• 1/3 Height Modesty Panel	1
• L- Bracket	per order
• #8 x 5/8" Flat Head Screw	per order
• #8 x 1" Flat Head Screw	per order

1

Attach the Pedestals (as required) to the Worksurface as described in the Component Pedestal Assembly Instruction Sheet. Position the Back Panels on the back of each Pedestal approximately 5/64" from the End Panel as shown (Figure A).

Figure A



NATIONAL
Furniture with Personality™

Telephone 800.482.1717
Fax 812.482.8800
www.nationalonline.com

Form #NAIWMP13-02
Part #1620938

Printed in U.S.A.
© 2002 Kimball International, Inc.

Proper product installation, in accordance with these instructions, is the responsibility of the installing agent. If you have any questions concerning these instructions, please call National Customer Service.

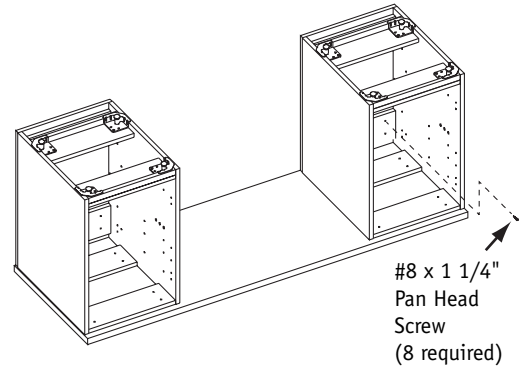
Assembly Instructions

1/3 Height Modesty Panel

2

Attach the Back Panel to the Pedestal using eight (8) #8 x 1 1/4" Pan Head Screws (Figure B).

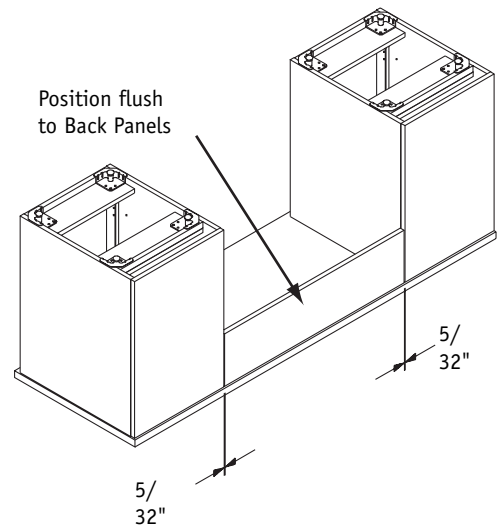
Figure B



3

Center the 1/3 Height Modesty Panel between and flush to the Back Panel faces. There should be a gap of approximately 5/32" on each side of the Modesty as shown (Figure C).

Figure C

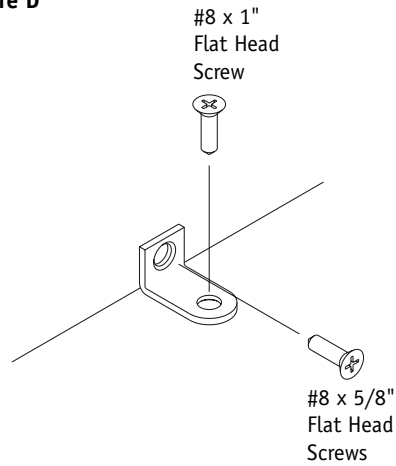


1/3 Height Modesty Panel

4

Attach the 1/3 Height Modesty Panel to the Worksurface using the L-Brackets, #8 x 5/8" Flat Head Screws, and the #8 x 1" Flat Head Screws provided and shown in (Figure D).

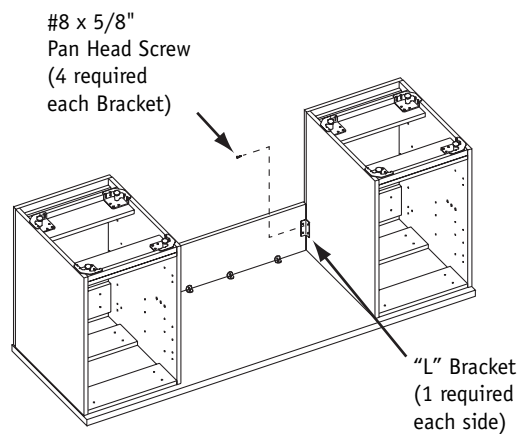
Figure D



5

Attach one (1) "L" Bracket to each end of the 1/3 Height Modesty Panel and the Pedestal End Panel using four (4) #8 x 5/8" Pan Head Screws as shown (Figure E).

Figure E



Assembly Instructions

**1/3 Height
Modesty Panel**