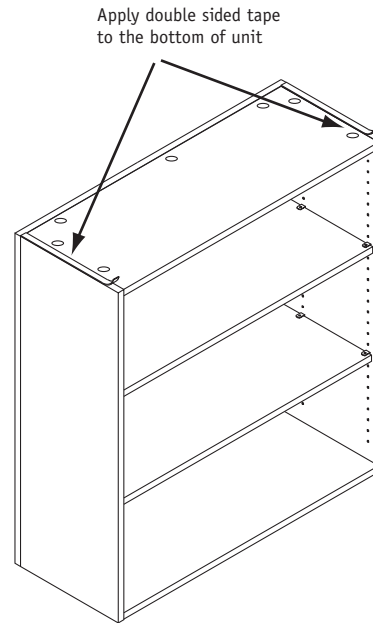


## ASSEMBLY INSTRUCTIONS

1

To securely attach a Storage Unit to a Worksurface, place a strip of Double Sided Tape along the bottom edge of each panel as shown. Do NOT remove the film backer to expose the adhesive. Foam tape to be placed as close to the front corners with out over hanging. (Figure A).

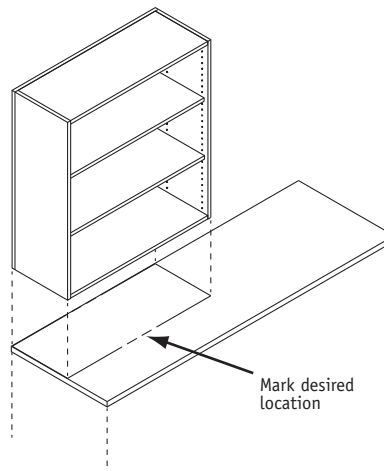
Figure A



2

Position the Storage Unit on top of the Worksurface and mark it's location. Remove the film backers from the Double Sided Tape and adhere the Unit to the Worksurface. The Worksurface MUST be clean, dry and free of any dirt or film to assure adequate adhesion (Figure B).

Figure B



**CAUTION:** The Tape is a very strong adhesive and bonds instantly to any surface it is applied to.

### WaveWorks® Above Surface Storage

**Recommended Tools**  
none

Package Contents	Qty.
• Double Sided Tape	Per Order

## NATIONAL

Furniture with Personality®

Telephone 800.482.1717  
Fax 812.482.8800  
www.nationalonline.com

Part #2076620

Printed in U.S.A.  
© 2008 Kimball International, Inc.

Proper product installation, in accordance with these instructions, is the responsibility of the installing agent. If you have any questions concerning these instructions, please call National Customer Service.