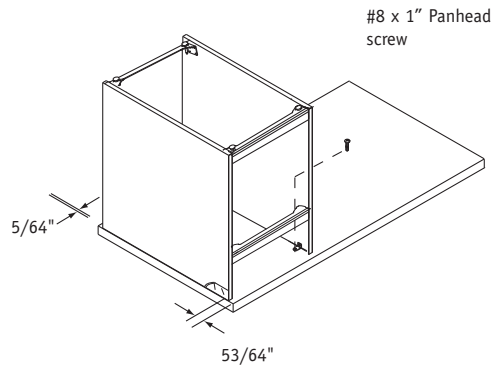


## ASSEMBLY INSTRUCTIONS

1

Place the Worksurface face down on a clean, solid surface or floor. Remove all the drawers from the Pedestal. **Note:** To remove the Pedestal Drawers, refer to the Pedestal Drawer Removal Assembly Instruction sheet. Position Pedestal upside down on the Worksurface in the location shown to create a "Left" Return. **Note:** To create a "Right" Return, position the Pedestal 5/64" from the opposite end of the worksurface. Attach the Pedestal to the Worksurface using four (4) #8 x 1" Panhead Screws two (2) through the metal stretcher, one (1) per L bracket (Figure A).

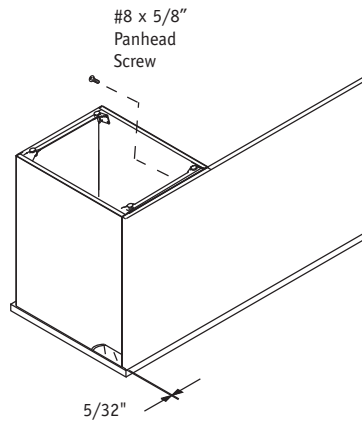
Figure A



2

Position the Modesty Panel flush against the back of the Pedestal and 5/32" from the edge of the Worksurface. Attach the Modesty Panel to the Pedestal using five (5) #8 x 5/8" Panhead screws through the Pedestal brackets (Figure B).

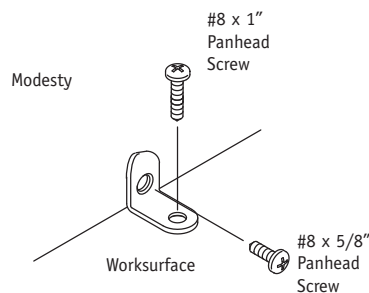
Figure B



3

Attach the Modesty Panel to the worksurface using Five (5) L brackets and Five (5) #8 x 5/8" Panhead screws. Place three L brackets in the pilot holes of the Modesty Panel, place the fourth L bracket 2 1/2" inside the inner end panel of pedestal. Place the fifth L bracket 4" from the outer L bracket. Attach the L brackets to the worksurface with Five (5) #8 x 1" Panhead screws (Figure D).

Figure C



**CAUTION:** Make sure that the Modesty Panel is parallel to the edge of the worksurface.

## WaveWorks® Component Return

### Recommended Tools

- Phillips Head Screwdriver
- Tape Measure
- Square

Package Contents	Qty.
• Worksurface	1
• Pedestal	1
• Modesty panel	1
• L Bracket	per order
• #8 x 1" Panhead screws	per order
• #8 x 5/8" Panhead screws	per order

# NATIONAL

Furniture with Personality®

Telephone 800.482.1717  
Fax 812.482.8800  
www.nationalonline.com

Part #2048353

Printed in U.S.A.  
© 2008 Kimball International, Inc.

Proper product installation, in accordance with these instructions, is the responsibility of the installing agent. If you have any questions concerning these instructions, please call National Customer Service.