

ASSEMBLY INSTRUCTIONS

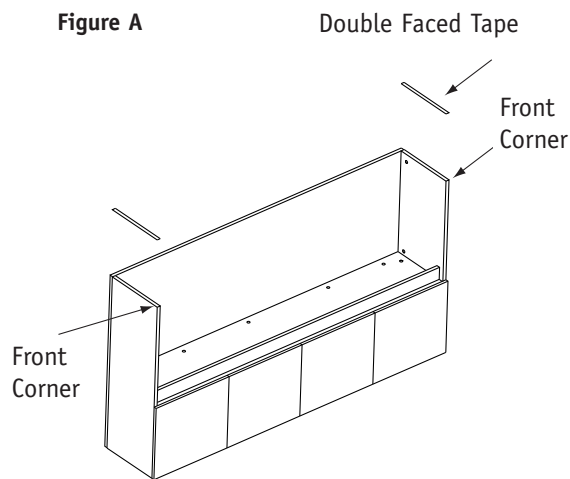
1

The highback organizer sits on top of a worksurface. It can be attached to the worksurface using the double faced tape provided.

2

Attach double faced tape to the bottom of the highback organizer's end panels. Double face tape is to be placed as close to the front corners as possible without overhanging the front corner.

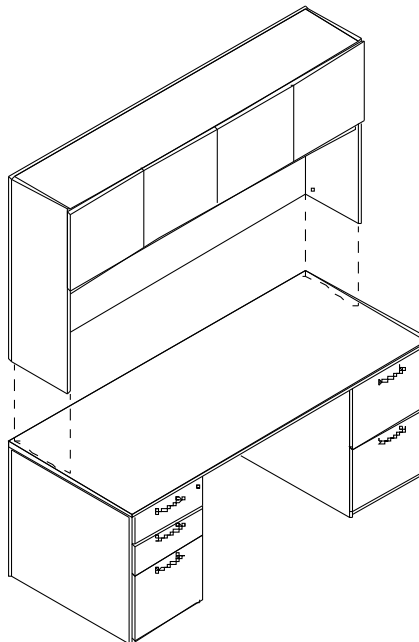
Figure A



3

Position the highback organizer on top of the worksurface and mark it's location. The unit should be positioned $5/64$ " from the back and side edges of the worksurface. Remove the film backers from the tape. The worksurface must be clean, dry and free from dirt or film to assure adequate adhesion.

Figure B



Note: The tape is a very strong adhesive and bonds instantly to the surface it is applied to.

WaveWorks® Highback Organizer (Full Back)

Package Contents	Qty.
• Highback Organizer	1
• Double Faced Tape	

NATIONAL

Furniture with Personality®

Telephone 800.482.1717
Fax 812.482.8800
www.nationalonline.com

Part #2048359

Printed in U.S.A.
© 2008 Kimball International, Inc.

Proper product installation, in accordance with these instructions, is the responsibility of the installing agent. If you have any questions concerning these instructions, please call National Customer Service.