

## ASSEMBLY INSTRUCTIONS

- 1 Remove drawers from pedestals, then position pedestals upside-down on underside of worksurface. To install, place worksurface on a clean soft surface, underside facing up.

**Note:** Make sure drawers are returned to their original location.

- 2 Attach pedestals to the worksurface prior to installing modesty panel reference AI sheet 2076626. Prior to attaching modesty panel to pedestal, locate panel  $5/64$ " from the edge of the pedestal end panel (Figure A).

- 3 Attach per order three (3) or four (4) L brackets into the pilot holes of the modesty panel with  $\#8 \times 5/8$ " panhead screws. Amount of brackets depend on the size of the modesty panel.

- 4 To attach the modesty panel, using the  $\#8 \times 5/8$ " Pan Head screws, run screws through the brackets holes in the back of the pedestal into the modesty panel 5 per pedestal.

- 5 Place remaining Two (2) L brackets to the modesty panel, inside the pedestal  $2 \frac{1}{2}$ " off the inner end panel surface.

Fasten modesty to worksurface as shown (Figure B).

Figure A

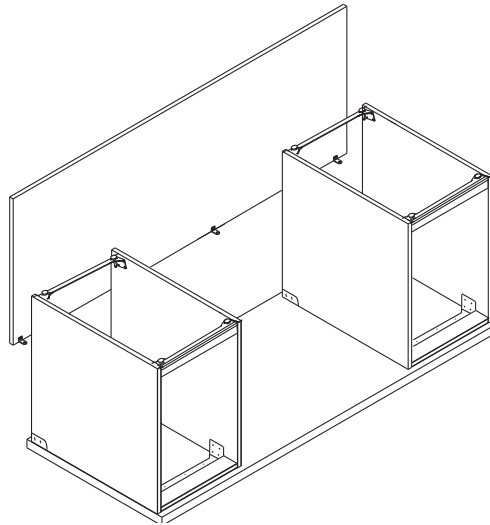
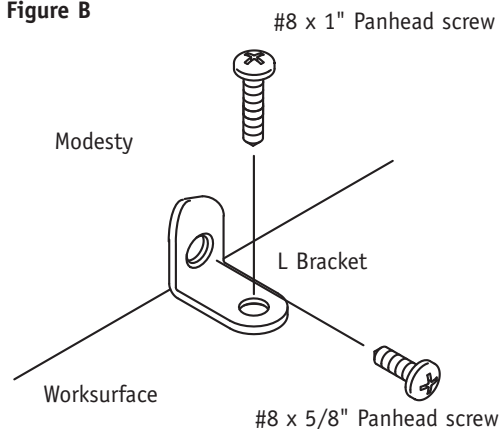


Figure B



### WaveWorks® Modesty Panel

#### Recommended Tools

- Square
- Phillips Head Screwdriver
- Tape Measure

Package Contents	Qty.
• Modesty Panel	1
• L Bracket	per order
• $\#8 \times 5/8$ " Panhead screw	per order
• $\#8 \times 1$ " Panhead screw	per order

## NATIONAL

Furniture with Personality®

Telephone 800.482.1717  
Fax 812.482.8800  
www.nationalonline.com

Part #2076622

Printed in U.S.A.  
© 2008 Kimball International, Inc.

Proper product installation, in accordance with these instructions, is the responsibility of the installing agent. If you have any questions concerning these instructions, please call National Customer Care Teams.