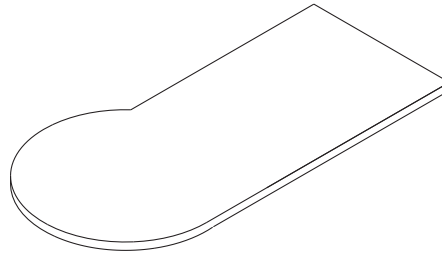


ASSEMBLY INSTRUCTIONS

1

P-tops and U-Tops can be configured either as work returns or as desking elements. These tops should never be used as freestanding units (Figure A).

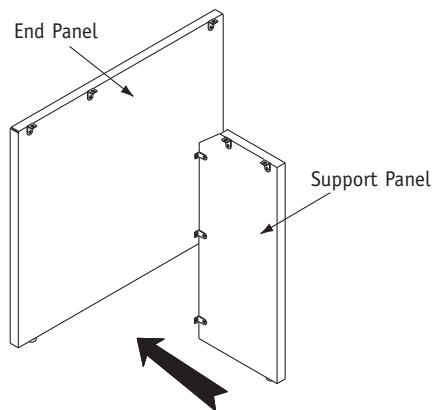
Figure A



2

To assemble T-Leg end panel, attach L-Brackets to the end panel, then attach L-Brackets to support panel, placing brackets on the user side of the support panel. Attach support panel to end panel using the screws provided (Figure B).

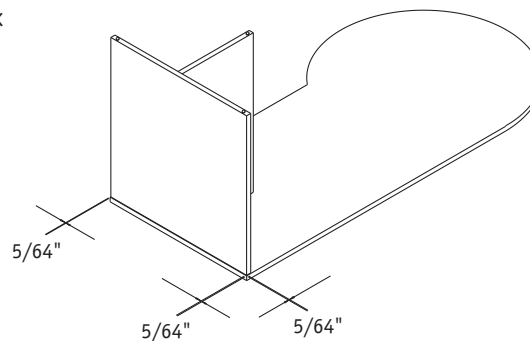
Figure B



3

To install T-Leg end panel, turn P-Top or U-Top upside down on a smooth, hard surface. The T-Leg end panel should be located with a margin of 5/64" around the front, side, and back (Figure C).

Figure C



P-Top and U-Top without Modesty Panel and with Modesty Panel

Recommended Tools

- Tape measure
- Screw Gun
- #2 Phillips Head Bit
- Level

Package Contents	Qty.
• P-Top	per order
• U-Top	per order
• End Panel	per order
• Support Panel	per order
• Modesty Panel	per order
• Metal Column Leg	per order
• Cylinder Leg Bracket	per order

With Modesty

• L-Brackets	10
• #6 x 5/8" Flat Head Screws	2
• #8 x 5/8" Pan Head Screw	10
• #8 x 1" Pan Head Screw	10

Without Modesty

• L-Brackets	8
• #8 x 1" Pan Head Screw	16

NATIONAL

Furniture with Personality®

Telephone 800.482.1717
Fax 812.482.8800
www.nationalonline.com

Part #2076630

Printed in U.S.A
© 2008 Kimball International, Inc.

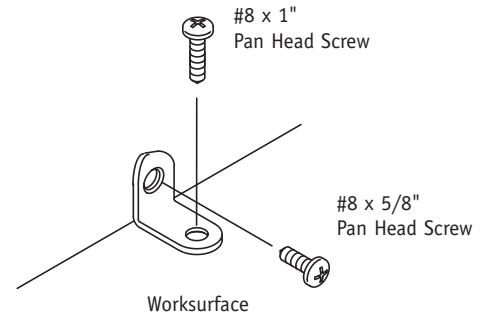
Proper product installation, in accordance with these instructions, is the responsibility of the installing agent. If you have any questions concerning these instructions, please call National Customer Service.

ASSEMBLY INSTRUCTIONS

P-Top, U-Top without Modesty Panel and with Modesty Panel

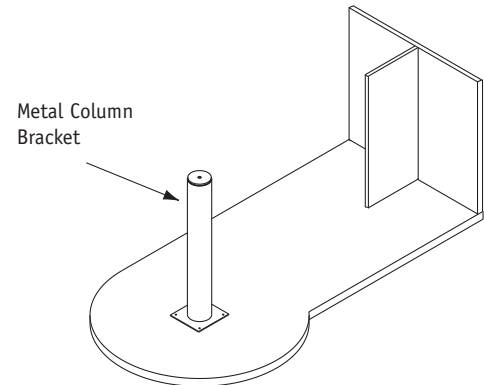
- 4** Attach T-Leg end panel to P-Top or U-Top through L-Brackets using the screws provided (Figure D).

Figure D



- 5** Attach metal column base to P-Top or U-Top, in the approximate center of the arch (Figure E).

Figure E



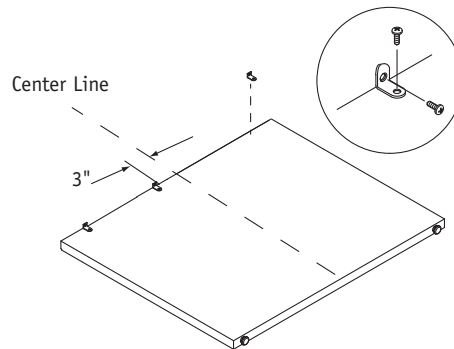
- 6** Carefully turn unit upright.

7

For P-Top / U-Top Unit with Modesty Attach (3) three Brackets flush to top of end panel using (3) three #8 x 5/8" panhead screws. Middle bracket is offset from the center toward the user side 3" (Figure F).

Note: Construct of this unit is upside down and for a Right. For a Left positioned the bracket on the other side of the center Line.

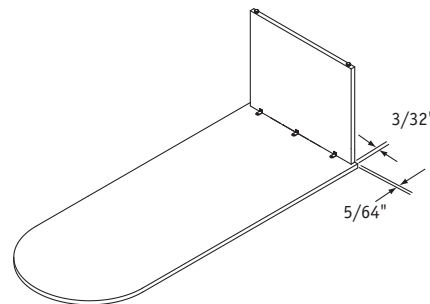
Figure F



8

Place worksurface face down on a clean, solid surface. Attach end panel to underside of worksurface using (3) three #8 x 1" panhead screws. Recess back panel 3/32" on sides and 5/64" from end of worksurface (Figure G).

Figure G

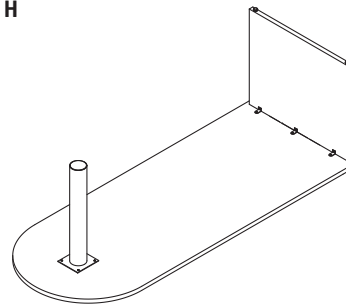


9

Position cylinder leg mounting plate over the approximat center of the worksurface (Figure H).

Note: Cylinder leg is ordered separately.

Figure H

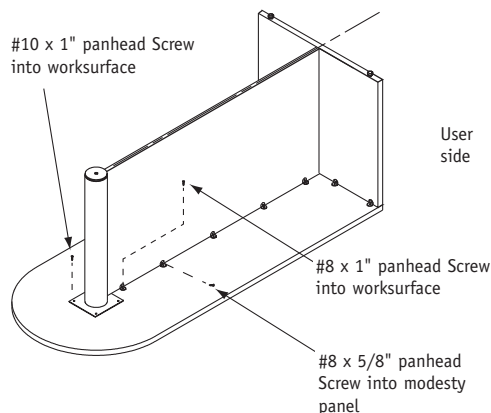


10

Attach to modesty panel four (4) L brackets with four (4) #8 x 5/8" panhead screws, in pilot holes. Position modesty panel up against the end panel and the cylinder leg with brackets facing the user side. Attach the modesty panel to the worksurface with four (4) #8 x 1" panhead screws. Place one (1) L bracket in the center of the modesty panel, attach with two (2) #8 x 5/8" panhead screws. Align cylinder leg in the center of the modesty panel edge, attach with Four (4) #10 x 1" panhead screws (Figure I).

NOTE: Modesty should be flush with the end panel. When the brackets are installed in the pilot holes a 5/64" gap is created.

Figure I



P-Top, U-Top without Modesty Panel and with Modesty Panel

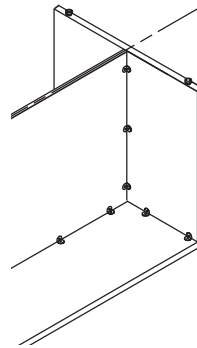
ASSEMBLY INSTRUCTIONS

P-Top, U-Top without Modesty Panel and with Modesty Panel

- 11** Attach the modesty panel to the end panel using three (3) L brackets and six (6) #8 x 5/8" panhead screws provided in the approximate locations shown (Figure J).

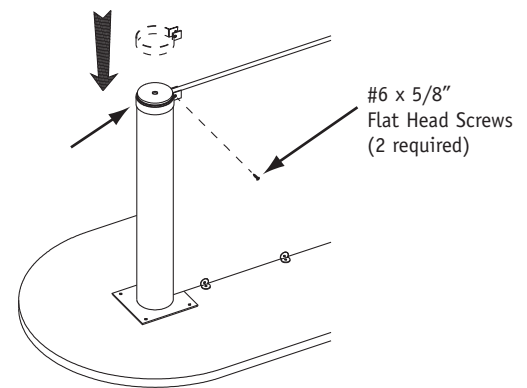
NOTE: These brackets should be attached on the "user side" which is dependent on the specific configuration of the unit.

Figure J



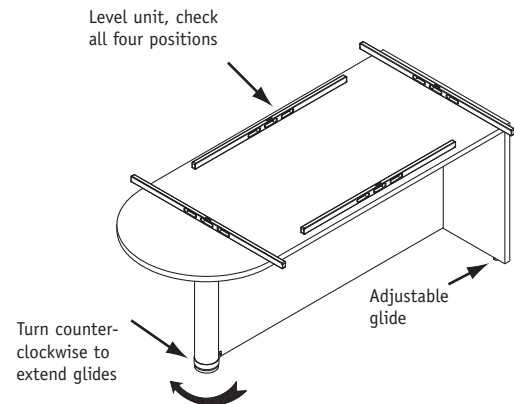
- 12** Slide cylinder leg bracket over the leg and attach to the modesty panel using two (2) #6 x 5/8" flathead screws provided, one on each side (Figure K).

Figure K



- 13** Turn unit right side up and level by extending the two (2) adjustable glides in the end panel and one (1) 4" glide on the cylinder leg (Figure L).

Figure L



Proper product installation, in accordance with these instructions, is the responsibility of the installing agent. If you have any questions concerning these instructions, please call National Customer Service.