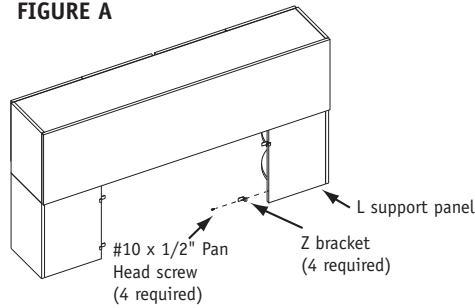


**1**

**TBC Series**

Locate the two (2) predrilled holes in each highback "L" support rear panel. Attach the two (2) "Z" brackets to each panel as shown using four (4) #10 x 1/2" Pan Head Screws provided (Figure A).

**FIGURE A**

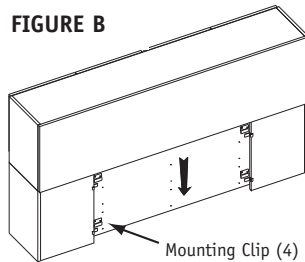


**2**

**TBC Series**

Center tack board with the opening of the 2" support and lower tack board until each mounting clip is firmly and squarely on the "Z" bracket (Figure B).

**FIGURE B**

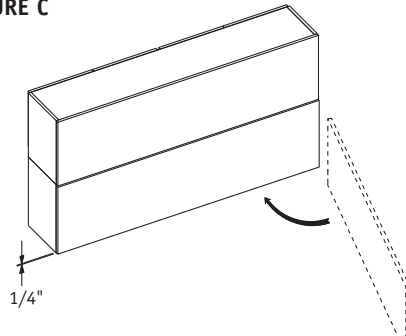


**1**

**TBS Series**

Center tack board against the back of the "L" supports and leave approximately a 1/4" gap between the bottom of the tack board and the bottom of the "L" support or worksurface (Figure C).

**FIGURE C**

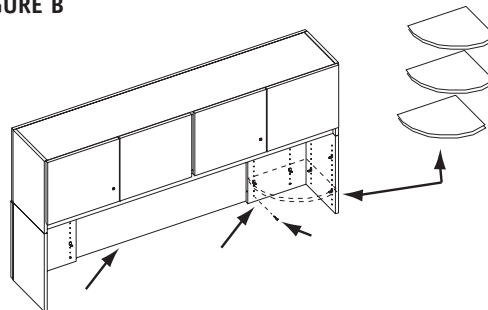


**2**

**TBS Series**

Support the tack board from behind the highback unit. Remove the four (4) shelves for ease of access to the predrilled holes in the "L" support rear panels. Attach the tack board using the eight (8) #8 x 1 1/2" flat head screws provided through any holes not used for shelf supports (Figure D).

**FIGURE B**



**NOTE:** The tack board contains a 1/8" hardboard core which **MUST** be penetrated by the screws. It is recommended that the screws be located at the maximum possible spacing.

## Tack Board Placement and Mounting for TBC, TBS Series

**Recommended Tools**

- Phillips Screwdriver
- Tape Measure

Package Contents	Qty.
<b>TBC Series</b>	
• Tack Board	1
• Z brackets	4
• #10 x 1/2" Pan Head Wood Screws	4
<b>TBS Series</b>	
• Tack Board	1
• #8 x 1 1/2" Flat Head Wood Screws	8

**NATIONAL**

Furniture with Personality®

Telephone 800.482.1717  
 Fax 812.482.8800  
 www.NationalOfficeFurniture.com

Part #1399220  
 Rev,-

Printed in U.S.A  
 © 2010 Kimball International, Inc.

Proper product installation, in accordance with these instructions, is the responsibility of the installing agent. If you have any questions concerning these instructions, please call National Customer Service.