
ESSAY

Product Specifications	170
Fabrics and Options	171
Product Pages	172
COM Yardage Requirements	177



ESSAY PRODUCT SPECIFICATIONS

SHELL CONSTRUCTION

- Contoured, injection molded polypropylene
- Wall friendly design

UPHOLSTERED SEAT FOAM

- $\frac{3}{8}$ " foam

4-LEG BASE

- Injection molded glass filled nylon

TRAY

- Injection molded polypropylene

TABLET ARM

- Chevron surface available in black HPL (24 $\frac{3}{4}$ " W x 12" D)
- Rectangle surface available in black HPL (23 $\frac{3}{4}$ " W x 11 $\frac{3}{4}$ " D) (student chairs only)

CUP HOLDER

- Available as an option on tablet models only
- Injection molded polypropylene
- Light assembly required

SWIVEL MECHANISM

- 360° fixed height swivel

CONTROL (TASK/STOOL OPTION)

- Swivel control
- The pneumatic gas cylinder lift allows the seat to raise and lower

CASTER

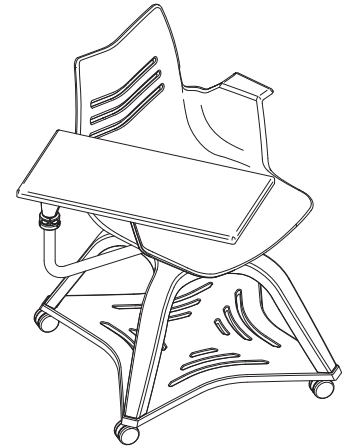
- Black, hard double wheel casters, which work on multiple surfaces, are standard
- Black, soft double wheel roll control casters, for use on hard surfaces, are available at an upcharge

GLIDES

- Soft glides are available at an upcharge

ASSEMBLY (STUDENT CHAIRS ONLY)

- Product is shipped ready-to-assemble
- 3 subassemblies join with no tools required



National seating meets or exceeds the ANSI/BIFMA X6.1 Educational Seating standard.

All plastic models meet TB133 fire code.

Please consult customer service for applicable Arc-Com, COM, Designtex, Maharam, Momentum, Stinson, or Ultrafabrics fabric.

FABRICS

Grade 1	Cali Input Plush Ridge Stardust Vessel
Grade 2	Bliss Brilliant COM Dorset Orbit Phrase Pixie Sedona Strand

Grade 3	COL Jacks Silvertex
Grade 4	Connect Four Echo Masquerade
Grade 5	Mode

Grade 6	Essence/Ultraleather
Grade 7	Brisa Brisa Distressed Reef Pro Silica Silica Etch Tottori
Grade L7	Davenport
Grade L8	Florence

STUDENT CHAIR

SHELL AND TRAY COLORS

151	White
152	Light Grey
153	Dark Grey
154	Taupe
157	Navy
158	Black

**FRAME COLOR
(TABLET ARM SUPPORT
AND BASE)**

153	Dark Grey
158	Black

CASTERS

C3	Hard (standard)
C29	Soft (add \$28 list per chair)

GLIDES

C27	Hard (standard)
C28	Soft (add \$30 list per chair)

CUP HOLDER OPTIONS

(\$59 list upcharge)

CPB	Cup Holder, Black
X	No Cup Holder

TASK AND TASK STOOLS

SHELL COLORS

151	White
152	Light Grey
153	Dark Grey
154	Taupe
157	Navy
158	Black

- Task chair tablet arm support is black
- Task and task stool chair base is black
- Tablet surface is black

CUP HOLDER OPTIONS

(\$59 list upcharge)

CPB	Cup Holder, Black
X	No Cup Holder

CASTERS

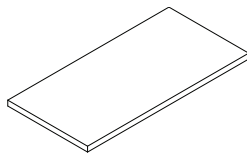
C3	Hard (standard)
C29	Soft (add \$28 list per chair)

GLIDES

C27	Hard (standard)
C28	Soft (add \$30 list per chair)

TABLET

- RT Rectangle, HPL (student chair only)
 CV* Chevron, HPL
 *(\$78 list upcharge)
- Tablet surface is black



Rectangle



Chevron

ESSAY



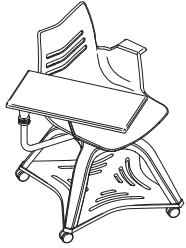
Shaded models are available through our Quick Delivery program and will be delivered within 10 days or less. Shaded models that feature the 48 icon will ship within 48 hours (48). See page 8 for additional program information.

TO ORDER, SPECIFY:

1. Model Number
2. Shell Color
3. Fabric Grade / Cover Number (when applicable)
4. Tray Color
5. Frame Color
6. Tablet
7. Cup Holder (when applicable)
8. Caster or Glide

- See page 171 for Essay options
- See page 177 for COM fabric yardage

STUDENT CHAIR WITH TABLET



Mobile



Static

MODEL NO.

GRADE / LIST PRICE

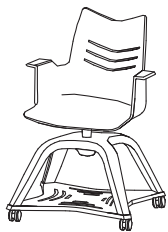
		1	2/COM	3/COL	4	5	6	7	L7	L8
N21AATC	Mobile	\$ 799								
QN21AATC	Mobile	799								
N21AATUC	Upholstered Seat, Mobile	934	953	961	975	989	1015	1048	1208	1260
QN21AATUC	Upholstered Seat, Mobile	934	953	961	975	989	1015	1048		
N21AATG	Static	\$ 799								
QN21AATG	Static	799								
N21AATUG	Upholstered Seat, Static	934	953	961	975	989	1015	1048	1208	1260
QN21AATUG	Upholstered Seat, Static	934	953	961	975	989	1015	1048		

DIMENSIONS

Width	26	Seat Height	17¾	Arm Height	27	Weight	55
Depth	33	Seat Depth	17	Back Height	18¾	Upholstered Seat Model Weight	60
Height	36½	Seat Width	19½	Back Width	17	Cubic Ft.	9.5

- Overall width and depth measurements are with Chevron tablet positioned in center of chair
- Tablet surface is available in black only; shapes available in Rectangle or Chevron
- Tool-less assembly required

STUDENT CHAIR



Mobile



Static

		1	2/COM	3/COL	4	5	6	7	L7	L8
N21AAC	Mobile	\$ 591								
QN21AAC	Mobile	591								
N21AAUC	Upholstered Seat, Mobile	727	746	754	768	782	808	841	1001	1053
QN21AAUC	Upholstered Seat, Mobile	727	746	754	768	782	808	841		
N21AAG	Static	\$ 591								
QN21AAG	Static	591								
N21AAUG	Upholstered Seat, Static	727	746	754	768	782	808	841	1001	1053
QN21AAUG	Upholstered Seat, Static	727	746	754	768	782	808	841		

DIMENSIONS

Width	26	Seat Height	17¾	Arm Height	27	Weight	45
Depth	24¾	Seat Depth	17	Back Height	18¾	Upholstered Seat Model Weight	50
Height	36½	Seat Width	19½	Back Width	17	Cubic Ft.	9.5

- Tool-less assembly required



Shaded models are available through our Quick Delivery program and will be delivered within 10 days or less. Shaded models that feature the 48 icon will ship within 48 hours (48). See page 8 for additional program information.

TO ORDER, SPECIFY:

1. Model Number
2. Shell Color
3. Fabric Grade / Cover Number (when applicable)
4. Tablet
5. Cup Holder (when applicable)
6. Caster or Glide

- See page 171 for Essay options
- See page 177 for COM fabric yardage

TASK CHAIR WITH TABLET



Mobile



Static

MODEL NO.

GRADE / LIST PRICE

		1	2/COM	3/COL	4	5	6	7	L7	L8
N21BBTC	Mobile	\$ 680								
QN21BBTC	Mobile	680								
N21BBTUC	Upholstered Seat, Mobile	815	834	842	856	870	896	929	1089	1141
QN21BBTUC	Upholstered Seat, Mobile	815	834	842	856	870	896	929		
N21BBTG	Static	\$ 680								
QN21BBTG	Static	680								
N21BBTUG	Upholstered Seat, Static	815	834	842	856	870	896	929	1089	1141
QN21BBTUG	Upholstered Seat, Static	815	834	842	856	870	896	929		

DIMENSIONS

Width	26	Seat Height	16¼-20¾	Arm Height	24¼-28¾	Weight	55
Depth	33	Seat Depth	17	Back Height	18¾	Upholstered Seat Model Weight	60
Height	34¼-38¾	Seat Width	19½	Back Width	17	Cubic Ft.	17.5

- Overall width and depth measurements are with Chevron tablet positioned in center of chair
- Available only with Chevron tablet surface
- Tablet surface and arm support are available in black only

TASK CHAIR



Mobile



Static

		1	2/COM	3/COL	4	5	6	7	L7	L8
N21BBC	Mobile	\$ 472								
QN21BBC	Mobile	472								
N21BBUC	Upholstered Seat, Mobile	609	628	636	650	664	690	723	883	935
QN21BBUC	Upholstered Seat, Mobile	609	628	636	650	664	690	723		
N21BBG	Static	\$ 472								
QN21BBG	Static	472								
N21BBUG	Upholstered Seat, Static	609	628	636	650	664	690	723	883	935
QN21BBUG	Upholstered Seat, Static	609	628	636	650	664	690	723		

DIMENSIONS

Width	26	Seat Height	16¼-20¾	Arm Height	24¼-28¾	Weight	45
Depth	24¾	Seat Depth	17	Back Height	18¾	Upholstered Seat Model Weight	50
Height	34¼-38¾	Seat Width	19½	Back Width	17	Cubic Ft.	17.5

- Base is available in black only



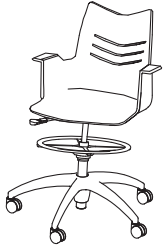
Shaded models are available through our Quick Delivery program and will be delivered within 10 days or less. Shaded models that feature the 48 icon will ship within 48 hours (48). See page 8 for additional program information.

TO ORDER, SPECIFY:

1. Model Number
2. Shell Color (when applicable)
3. Fabric Grade / Cover Number (when applicable)
4. Caster or Glide (when applicable)

- See page 171 for Essay options
- See page 177 for COM fabric yardage

TASK STOOL



Mobile



Static

MODEL NO.

GRADE / LIST PRICE

		1	2/COM	3/COL	4	5	6	7	L7	L8
N21CCC	Mobile	\$ 621								
QN21CCC	Mobile	621								
N21CCUC	Upholstered Seat, Mobile	757	776	784	798	812	838	871	1031	1083
QN21CCUC	Upholstered Seat, Mobile	757	776	784	798	812	838	871		
N21CCG	Static	\$ 621								
QN21CCG	Static	621								
N21CCUG	Upholstered Seat, Static	757	776	784	798	812	838	871	1031	1083
QN21CCUG	Upholstered Seat, Static	757	776	784	798	812	838	871		

DIMENSIONS

Width	26	Seat Height	19½-27¼	Arm Height	27¼-35½	Weight	58
Depth	24¼	Seat Depth	17	Back Height	18¼	Upholstered Seat Model Weight	63
Height	37¼-45	Seat Width	19½	Back Width	17	Cubic Ft.	17.5

- Base is available in black only

UPHOLSTERED SEAT CUSHION



		1	2/COM	3/COL	4	5	6	7	L7	L8
N21UPH		\$ 178	197	205	219	233	259	292	452	504
QN21UPH		178	197	205	219	233	259	292		

DIMENSIONS

Width	17¼	Weight	8
Depth	16½	Cubic Ft.	1.2
Height	½		

- Field installable

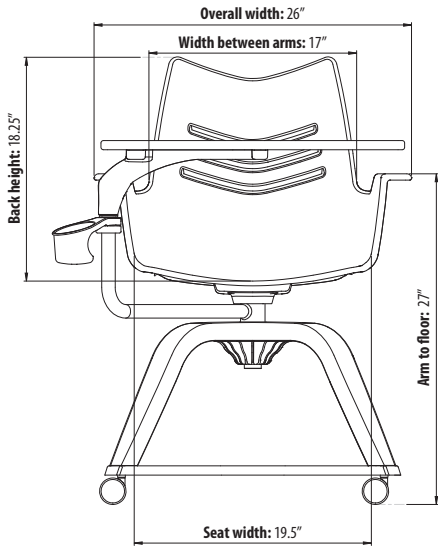
CUP HOLDER



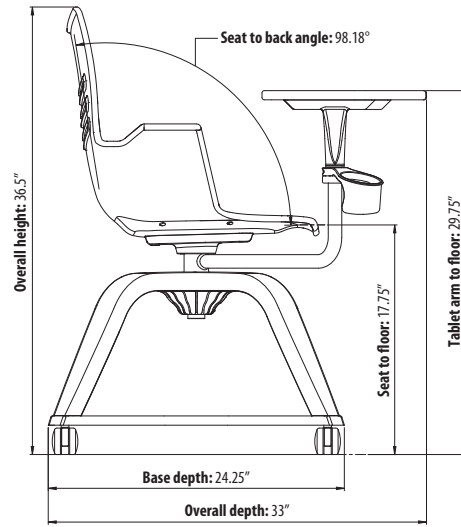
N21CUP	Black, Package of 1	\$ 59								
QN21CUP	Black, Package of 1	59								

Weight	5
Cubic Ft.	0.5

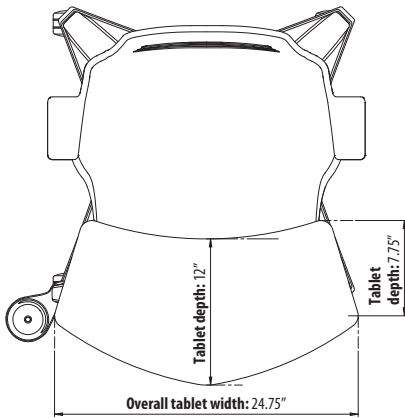
- Option for tablet models only
- Cup holder is available in black only
- Field installable
- Light assembly required



STUDENT CHAIR - FRONT VIEW



STUDENT CHAIR - SIDE VIEW



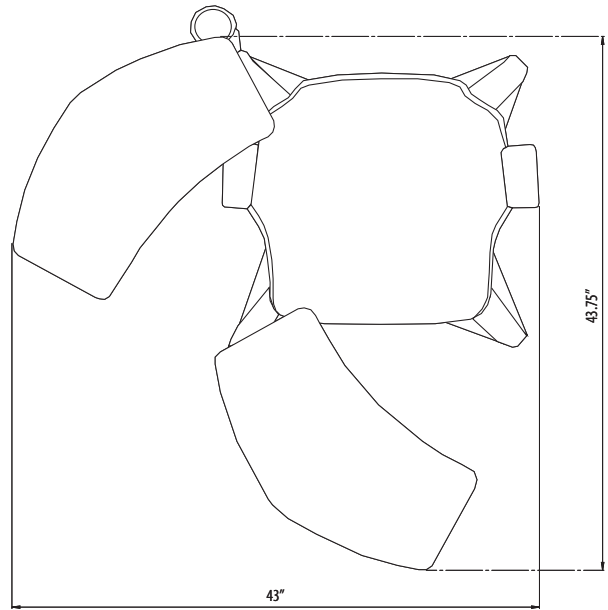
STUDENT CHAIR - TOP DOWN VIEW

*Chevron shape shown

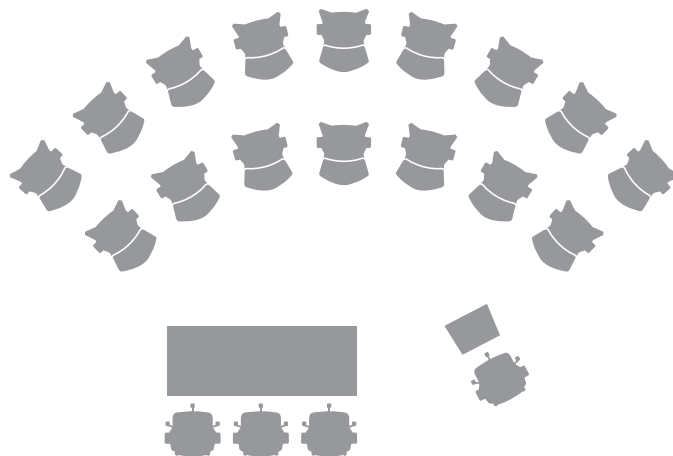
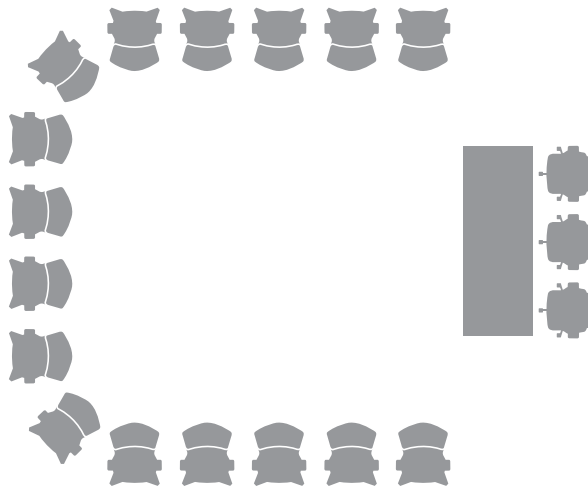
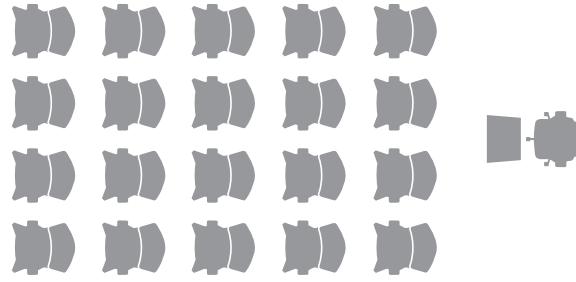
*Rectangle shape

Overall tablet width: 23.75"

Tablet depth: 11.75"



STUDENT CHAIR - TABLET SWING VIEW



ESSAY

COM YARDAGE REQUIREMENTS

COM YARDAGE REQUIREMENTS (54" WIDTH – CUT UP THE ROLL)

MODEL	RAILOADED	NON DIRECTIONAL OR SOLID	1"-4" REPEAT	5"-11" REPEAT	12"-18" REPEAT	COL SQUARE FEET
	Contact customer service 800-482-1717 for ydg requirements		4" VERTICAL X 4" HORIZONTAL	11" VERTICAL X 11" HORIZONTAL	18" VERTICAL X 18" HORIZONTAL	
N21AAUC, N21AAUG N21AATUC, N21AATUG N21BBUC, N21BBUG N21BBTUC, N21BBTUG N21CCUC, N21CCUG, N21UPH		0.70	0.70	0.70	0.90	7

