
SWIFT

Product Specifications	448
Fabrics and Options	449
Contrasting Fabric	450
Product Pages - Non-Tufting	452
Product Pages - Tufting	461
COM Yardage Requirements	469



SWIFT PRODUCT SPECIFICATIONS

LOUNGE

FRAME CONSTRUCTION

- Interior frame is constructed of plywood with tenon joints that are glued and screwed for maximum joint stability
- Exterior base frame features wood and metal-look accents
- Each joint is securely glued for maximum joint stability

SEAT CONSTRUCTION

- 4" of high grade polyurethane foam covers a plywood seat panel with high tension strip webbing for comfort

BACK CONSTRUCTION

- 4½" of high grade custom shaped polyurethane foam stretched over web sheet and attached to frame

ARM CONSTRUCTION

- ½" of high grade polyurethane foam covers a plywood constructed arm frame

UPHOLSTERY DETAIL

- Contrasting fabric available on all models
- Railroaded fabrics cannot be specified for vertical tufted models

LEGS

- Extruded aluminum legs with nylon leveling glides

MOBILE UNIT CASTERS

- Black, double wheel, roll control casters are standard and work on all floors

TABLET ARM

- ¾" thick black thermofoil with MDF core or ¾" thick maple
- Attached with ¼" steel base plate and screws that mounts over ¼" metal insert rod and fits into structure of arm
- Allows for 360° swivel and writing surface of 21" W x 13½" D

FINISH

- Tablet arm features a catalyzed top coat that resists denting, peeling and reactions to chemicals
- Can be cleaned with a damp cloth
- When specifying Brighton, Natural, and Sonoma finish, variation in color is acceptable due to the nature of wood characteristics

PLINTH BASE

- Available on tufting models only
- Black PVC edge
- Includes leveling glides

GANGING - TUFTING MODELS

- Ganging option available for an additional upcharge on the armless side(s) of lounges, benches and tables
- A right ganging bolt and left V-bracket is necessary for units to be ganged
- To gang units, simply lift unit and insert ganging bolt into ganging V-bracket

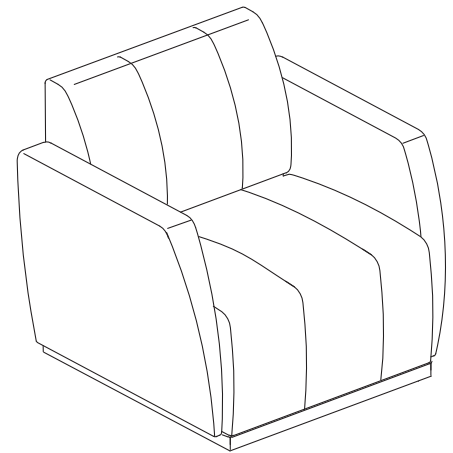
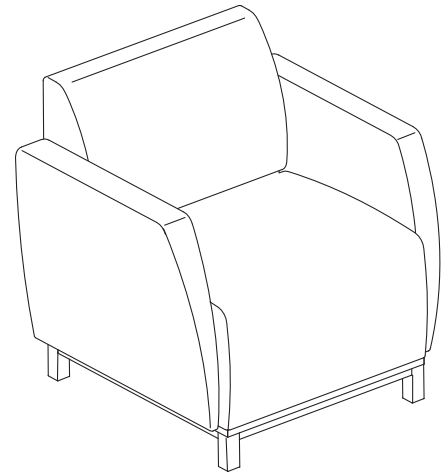
TABLES

FRAME CONSTRUCTION

- Grade A slipmatched maple (Brighton, Caramel, Honey, Natural), or cherry veneer (Amber, Autumn, Cordovan, Judicial, Mocha, Truffle) with mitered corners and extruded aluminum legs with rails
- Veneer tables feature National's IntegraClear® environmentally-friendly UV finish
- Veneer tables feature semi-open pore matte sheen

POWER AND DATA GROMMET

- Available in the 30°, 45°, 90° and small end tables
- 3 power grommets available; specify cutout option and order electrical grommet model separately. See pages 609-610 for details and pricing
- Power grommet not available on coffee or console tables



All Swift models may be ordered to meet TB133 fire code with the exception of the Vertical Tufting with Plinth Base models.

To order seating to meet the TB133 fire code, specify an "F" at the end of the model number (Ex: N95MAF).

For TB133 pricing go to www.NationalOfficeFurniture.com/TB133

Please consult customer service for applicable Arc-Com, COM, Designtex, Maharam, Momentum, Stinson, or Ultrafabrics fabric.

FABRICS

Grade 1	Cali
	Input
	Plush
	Ridge
	Stardust
	Vessel
Grade 2	Bliss
	Brilliant
	COM
	Dorset
	Orbit
	Phrase
	Pixie
	Sedona
	Strand

Grade 3	COL
	Jacks
	Silvertex
Grade 4	Connect Four
	Echo
	Masquerade
Grade 5	Mode

Grade 6	Essence/Ultraleather
Grade 7	Brisa
	Brisa Distressed
	Reef Pro
	Silica
	Silica Etch
	Tottori
Grade L7	Davenport
Grade L8	Florence

**TABLES
SURFACE
GROMMETS/CUTOUTS**

(\$25 list upcharge per location)

CUT-G12	G12 Cutout
CUT-G17	G17 Cutout
CUT-G23	G23 Cutout
X	No Grommet

**TABLES
SIDE
GROMMETS/CUTOUTS**

(\$25 list upcharge per location)

CUT-G23C	Power Grommet
X	No Grommet

Reference pages 609-610 for pricing and details

TABLET ARM

T Thermofoil, Black
W Wood

**FRAME COLORS -
NON-TUFTING MODELS**

423	Concrete
462	Cinder
463	Iron
497	Polished Aluminum
501	Platinum Metallic
503	Satin Nickel Metallic

FINISHES

AC	Autumn	PB	Portobello*
AD	Almond*	PT	Portico*
CL	Caramel	SK	Skyline*
CW	Cordovan	SM	Sonoma*
DW	Judicial	TF	Truffle
HN	Honey	405	Designer White*
IM	Brighton	462	Cinder*
MC	Amber	792	Sable*
MH	Mocha	793	Acorn**
NM	Natural		

*Not available on tables

**Acorn is the finish and laminate complement to Clear Walnut finish

LAMINATES

AC2	Autumn 2	TF	Truffle
AD	Almond	405	Designer White
CL	Caramel	419	Wallaby
CW	Cordovan	425	Shadow
DW	Judicial	440	Cloud
HN2	Honey 2	461	Graphite
IM	Brighton	462	Cinder
MC	Amber	478	Platinum Grey
MH	Mocha	488	Frosty White
NM	Natural	491	Designer White
PB	Portobello		Linear
PT	Portico	492	Cinder Linear
SK	Skyline	792	Sable
SM	Sonoma	793	Acorn [†]

**GANGING OPTIONS
TUFTING MODELS ONLY**

(\$52 list upcharge per ganging location)

LOUNGE

L	Ganging Left
R	Ganging Right
LR	Ganging Left and Right
X	No Ganging

TABLES

1	Ganging 1 Side
2	Ganging 2 Sides
X	No Ganging

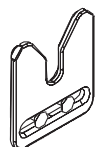
**GANGING BRACKET DETAILS
(AS SEATED)**

RIGHT SIDE GANGING



Ganging Bolt

LEFT SIDE GANGING



Ganging V-Bracket

TO ORDER CONTRASTING FABRIC, SPECIFY

SWIFT

1 Seat Lounge page 452

1 Seat Lounge - Single Arm page 452

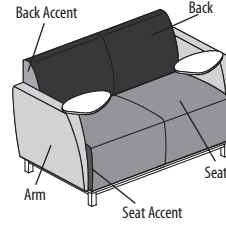
2 Seat Lounge page 453

2 Seat Lounge - Single Arm page 453

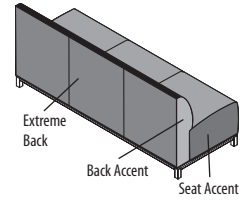
3 Seat Lounge page 454

3 Seat Lounge - Single Arm page 454

1. Model Number plus "X"
2. Back Fabric Grade Number/Cover Number
3. Extreme Fabric Grade Number/Cover Number
4. Back Accent Fabric Grade Number/Cover Number
5. Seat Fabric Grade Number/Cover Number
6. Seat Accent Fabric Grade Number/Cover Number
7. Arm Fabric Grade Number/Cover Number
8. Tablet (when applicable)
9. Finish Designator
10. Frame Color



Contrasting Fabric
Tablet Both Arms



Contrasting Fabric Back View

30° Corner Unit page 455

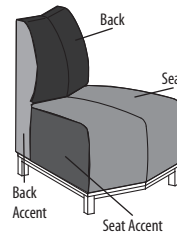
45° Inside Corner Unit page 455

45° Outside Corner Unit page 455

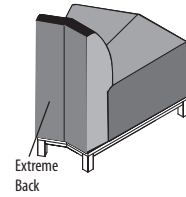
90° Inside Corner Unit page 456

90° Outside Corner Unit page 456

1. Model Number plus "X"
2. Back Fabric Grade Number/Cover Number
3. Extreme Fabric Grade Number/Cover Number
4. Back Accent Fabric Grade Number/Cover Number
5. Seat Fabric Grade Number/Cover Number
6. Seat Accent Fabric Grade Number/Cover Number
7. Finish Designator
8. Frame Color



Contrasting Fabric



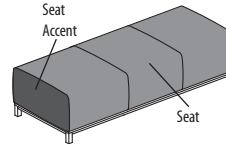
Contrasting Upholstery Back View

1 Seat Bench page 457

2 Seat Bench page 457

3 Seat Bench page 457

1. Model Number plus "X"
2. Seat Fabric Grade Number/Cover Number
3. Seat Accent Fabric Grade Number/Cover Number
4. Finish Designator
5. Frame Color



Contrasting Fabric

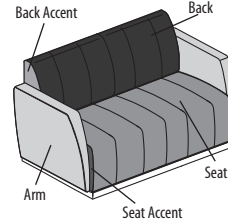
SWIFT

1 Seat Lounge Vertical Tuft Plinth Base page 461

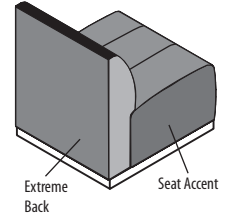
2 Seat Lounge Vertical Tuft Plinth Base page 461

3 Seat Lounge Vertical Tuft Plinth Base page 461

1. Model Number plus "X"
2. Ganging
3. Back Fabric Grade Number/Cover Number
4. Extreme Fabric Grade Number/Cover Number
5. Back Accent Fabric Grade Number/Cover Number
6. Seat Fabric Grade Number/Cover Number
7. Seat Accent Fabric Grade Number/Cover Number
8. Arm Fabric Grade Number/Cover Number



Contrasting Fabric



Contrasting Fabric Back View

30° Inside Corner Lounge Vertical Tuft Plinth Base page 462

30° Outside Corner Lounge Vertical Tuft Plinth Base page 462

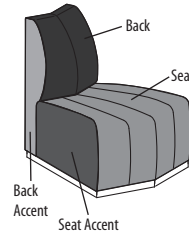
45° Inside Corner Lounge Vertical Tuft Plinth Base page 462

45° Outside Corner Lounge Vertical Tuft Plinth Base page 462

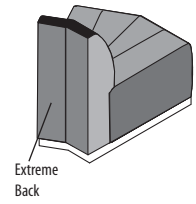
90° Inside Corner Lounge Vertical Tuft Plinth Base page 463

90° Outside Corner Lounge Vertical Tuft Plinth Base page 463

1. Model Number plus "X"
2. Ganging
3. Back Fabric Grade Number/Cover Number
4. Extreme Fabric Grade Number/Cover Number
5. Back Accent Fabric Grade Number/Cover Number
6. Seat Fabric Grade Number/Cover Number
7. Seat Accent Fabric Grade Number/Cover Number



Contrasting Fabric



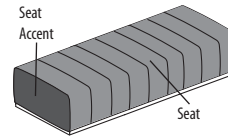
Contrasting Upholstery Back View

1 Seat Bench Vertical Tuft Plinth Base page 463

2 Seat Bench Vertical Tuft Plinth Base page 463

3 Seat Bench Vertical Tuft Plinth Base page 463

1. Model Number plus "X"
2. Ganging
3. Seat Fabric Grade Number/Cover Number
4. Seat Accent Fabric Grade Number/Cover Number



Contrasting Fabric



Shaded models are available through our Quick Delivery program and will be delivered within 10 days or less. Shaded models that feature the 48 icon will ship within 48 hours (48). See page 8 for additional program information.

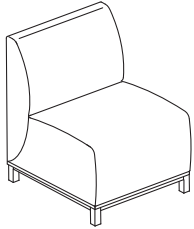
TO ORDER, SPECIFY:

1. Model Number
2. Fabric Grade Number
3. Cover Number
4. Tablet (when applicable)
5. Finish Designator
6. Frame Color

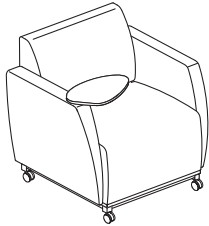
• See page 449 for Swift options

See pages 469-472 for COM fabric yardage

1 SEAT LOUNGE



Armless



Tablet Right Arm - Mobile

MODEL NO.

GRADE / LIST PRICE

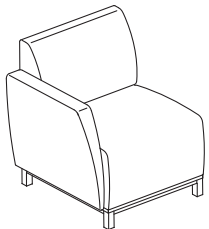
		1	2/COM	3/COL	4	5	6	7	L7	L8
N95MA	Armless	\$ 1953	2037	2071	2133	2198	2310	2458	3165	3395
QN95MA	Armless	1953	2037	2071	2133	2198	2310	2458		
N95MAC	Armless - Mobile	2126	2210	2244	2306	2371	2483	2631	3338	3568
QN95MAC	Armless - Mobile	2126	2210	2244	2306	2371	2483	2631		
N95AA	Arms	2543	2697	2760	2874	2993	3199	3472	4772	5194
QN95AA	Arms	2543	2697	2760	2874	2993	3199	3472		
N95AAR	Tablet Right Arm	2800	2954	3017	3131	3250	3456	3729	5029	5451
N95AAL	Tablet Left Arm	2800	2954	3017	3131	3250	3456	3729	5029	5451
N95AAC	Arms - Mobile	2714	2868	2931	3045	3164	3370	3643	4943	5365
QN95AAC	Arms - Mobile	2714	2868	2931	3045	3164	3370	3643		
N95AARC	Tablet Right Arm - Mobile	2973	3127	3190	3304	3423	3629	3902	5202	5624
N95AALC	Tablet Left Arm - Mobile	2973	3127	3190	3304	3423	3629	3902	5202	5624

DIMENSIONS

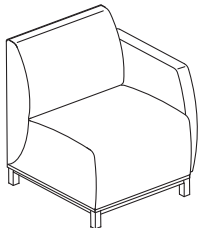
Armless Width	26½	Arm Height	27¼	Seat Depth	21¼	Armless Weight	49
Arm Width	32	Seat Height	19¼	Back Height	32½	Arm Weight	78
Depth	30	Seat Width	26½	Back Width	26½	Cubic Ft.	26.3
Height	32½						

• Contrasting fabric option – specify X (i.e., N95MAX); see page 450. For list pricing, use your electronic specification tool or contact customer service

1 SEAT LOUNGE - SINGLE ARM



Right Arm



Left Arm

		1	2/COM	3/COL	4	5	6	7	L7	L8
N95MAR	Right Arm	\$ 2225	2344	2392	2480	2573	2731	2942	3945	4271
N95MART	Tablet Right Arm	2531	2650	2698	2786	2879	3037	3248	4251	4577
N95MAL	Left Arm	2225	2344	2392	2480	2573	2731	2942	3945	4271
N95MALT	Tablet Left Arm	2531	2650	2698	2786	2879	3037	3248	4251	4577

DIMENSIONS

Width	29½	Arm Height	27¼	Seat Depth	21¼	Weight	67
Depth	30	Seat Height	19¼	Back Height	32½	Cubic Ft.	26.3
Height	32½	Seat Width	26½	Back Width	26½		

• Contrasting fabric option – specify X (i.e., N95MALX); see page 450. For list pricing, use your electronic specification tool or contact customer service

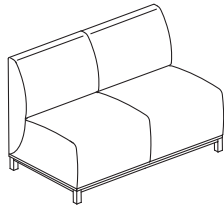
TO ORDER, SPECIFY:

1. Model Number
2. Fabric Grade Number
3. Cover Number
4. Tablet (when applicable)
5. Finish Designator
6. Frame Color

• See page 449 for Swift options

See pages 469-472 for COM fabric yardage

2 SEAT LOUNGE



MODEL NO.

GRADE / LIST PRICE

		1	2/COM	3/COL	4	5	6	7	L7	L8
N95MB	Armless	\$ 2834	2964	3016	3112	3213	3386	3616	4711	5066
N95BB	Arms	3426	3602	3673	3803	3940	4174	4486	5968	6449
N95BBR	Tablet Right Arm	3683	3859	3930	4060	4197	4431	4743	6225	6706
N95BBL	Tablet Left Arm	3683	3859	3930	4060	4197	4431	4743	6225	6706
N95BBB	Tablet Both Arms	3940	4116	4187	4317	4454	4688	5000	6482	6963

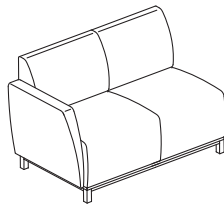
DIMENSIONS

Armless Width	51½	Arm Height	27¼	Seat Depth	21¼	Armless Weight	84
Arm Width	59¼	Seat Height	19¼	Back Height	32½	Arm Weight	120
Depth	30	Seat Width	51½	Back Width	51½	Cubic Ft.	48.8
Height	32½						

• Contrasting fabric option – specify X (i.e., N95MBX); see page 450. For list pricing, use your electronic specification tool or contact customer service

Tablet Right Arm

2 SEAT LOUNGE - SINGLE ARM



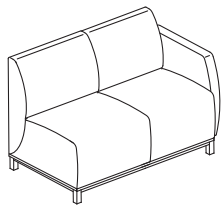
		1	2/COM	3/COL	4	5	6	7	L7	L8
N95MBR	Right Arm	\$ 3105	3248	3306	3412	3524	3715	3969	5177	5570
N95MBRT	Tablet Right Arm	3410	3553	3611	3717	3829	4020	4274	5482	5875
N95MBL	Left Arm	3105	3248	3306	3412	3524	3715	3969	5177	5570
N95MBLT	Tablet Left Arm	3410	3553	3611	3717	3829	4020	4274	5482	5875

DIMENSIONS

Width	55¼	Arm Height	27¼	Seat Depth	21¼	Weight	113
Depth	30	Seat Height	19¼	Back Height	32½	Cubic Ft.	48.8
Height	32½	Seat Width	51½	Back Width	51½		

• Contrasting fabric option – specify X (i.e., N95MBLX); see page 450. For list pricing, use your electronic specification tool or contact customer service

Right Arm



Left Arm

SWIFT

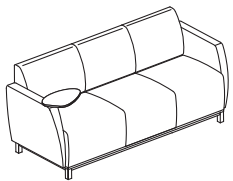
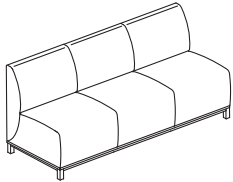
TO ORDER, SPECIFY:

1. Model Number
2. Fabric Grade Number
3. Cover Number
4. Tablet (when applicable)
5. Finish Designator
6. Frame Color

• See page 449 for Swift options

See pages 469-472 for COM fabric yardage

3 SEAT LOUNGE



Tablet Right Arm

MODEL NO.

GRADE / LIST PRICE

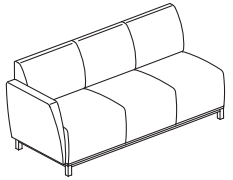
		1	2/COM	3/COL	4	5	6	7	L7	L8
N95MC	Armless	\$ 3716	3897	3971	4105	4245	4487	4808	6336	6832
N95CC	Arms	4305	4540	4636	4810	4992	5306	5723	7707	8351
N95CCR	Tablet Right Arm	4564	4799	4895	5069	5251	5565	5982	7966	8610
N95CCL	Tablet Left Arm	4564	4799	4895	5069	5251	5565	5982	7966	8610
N95CCB	Tablet Both Arms	4820	5055	5151	5325	5507	5821	6238	8222	8866

DIMENSIONS

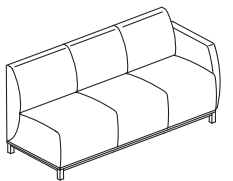
Armless Width	76	Arm Height	27¼	Seat Depth	21¼	Armless Weight	141
Arm Width	83	Seat Height	19¼	Back Height	32½	Arm Weight	155
Depth	30	Seat Width	79½	Back Width	79½	Cubic Ft.	72.2
Height	32½						

• Contrasting fabric option – specify X (i.e., N95CCX); see page 450. For list pricing, use your electronic specification tool or contact customer service

3 SEAT LOUNGE - SINGLE ARM



Right Arm



Left Arm

		1	2/COM	3/COL	4	5	6	7	L7	L8
N95MCR	Right Arm	\$ 3987	4187	4268	4416	4572	4838	5193	6880	7428
N95MCRT	Tablet Right Arm	4294	4494	4575	4723	4879	5145	5500	7187	7735
N95MCL	Left Arm	3987	4187	4268	4416	4572	4838	5193	6880	7428
N95MCLT	Tablet Left Arm	4294	4494	4575	4723	4879	5145	5500	7187	7735

DIMENSIONS

Width	82¼	Arm Height	27¼	Seat Depth	21¼	Weight	148
Depth	30	Seat Height	19¼	Back Height	32½	Cubic Ft.	72.2
Height	32½	Seat Width	79½	Back Width	79½		

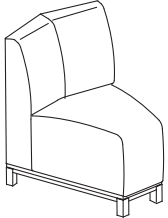
• Contrasting fabric option – specify X (i.e., N95MCLX); see page 450. For list pricing, use your electronic specification tool or contact customer service

TO ORDER, SPECIFY:

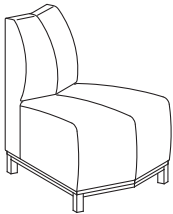
1. Model Number
2. Fabric Grade Number
3. Cover Number
4. Finish Designator
5. Frame Color

• See page 449 for Swift options
See pages 469-472 for COM fabric yardage

30° CORNER UNIT



30° Inside Corner



30° Outside Corner

MODEL NO.

GRADE / LIST PRICE

		1	2/COM	3/COL	4	5	6	7	L7	L8
N95MH	Inside Corner	\$ 1886	1956	1985	2037	2091	2185	2310	2903	3095
N95MHA	Outside Corner	1886	1951	1977	2025	2076	2162	2277	2824	3002

DIMENSIONS - INSIDE CORNER

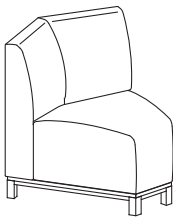
Width	25½	Seat Height	19¼	Weight	40
Depth	32			Cubic Ft.	31.9
Height	32½				

DIMENSIONS - OUTSIDE CORNER

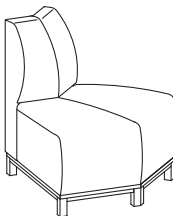
Width	27	Seat Height	19¼	Weight	40
Depth	31			Cubic Ft.	31.9
Height	32½				

- Contrasting fabric option – specify X (i.e., N95MHAX); see page 450. For list pricing, use your electronic specification tool or contact customer service
- Stripes and plaids are not recommended as the fabrics may not align at the seams

45° CORNER UNIT



45° Inside Corner



45° Outside Corner

		1	2/COM	3/COL	4	5	6	7	L7	L8
N95MJ	Inside Corner	\$ 2190	2274	2308	2370	2435	2547	2695	3402	3632
N95MJA	Outside Corner	2190	2263	2293	2347	2403	2501	2630	3246	3446

DIMENSIONS - INSIDE CORNER

Width	32½	Seat Height	19¼	Weight	45
Depth	32½			Cubic Ft.	31.9
Height	32½				

DIMENSIONS - OUTSIDE CORNER

Width	33½	Seat Height	19¼	Weight	45
Depth	33½			Cubic Ft.	31.9
Height	32½				

- Contrasting fabric option – specify X (i.e., N95MJAX); see page 450. For list pricing, use your electronic specification tool or contact customer service
- Stripes and plaids are not recommended as the fabrics may not align at the seams

SWIFT

90° CORNER UNIT TO ORDER, SPECIFY:

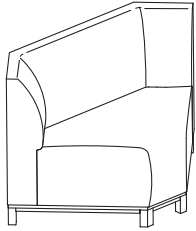
1. Model Number
2. Fabric Grade Number
3. Cover Number
4. Finish Designator
5. Frame Color

PULL-UP TABLE TO ORDER, SPECIFY:

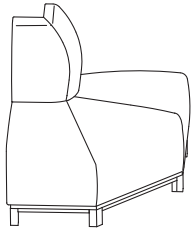
1. Model Number
2. Laminate or Finish
3. Paint

• See page 449 for Swift options
See pages 469-472 for COM fabric yardage

90° CORNER UNIT



90° Inside Corner



90° Outside Corner

MODEL NO.

GRADE / LIST PRICE

		1	2/COM	3/COL	4	5	6	7	L7	L8
N95MK	Inside Corner	\$ 2834	2950	2997	3083	3174	3329	3535	4515	4834
N95MKA	Outside Corner	2834	2918	2952	3014	3079	3191	3339	4046	4276

DIMENSIONS - INSIDE CORNER

Width	50½	Seat Height	19¾	Weight	56
Depth	30			Cubic Ft.	31.9
Height	32½				

DIMENSIONS - OUTSIDE CORNER

Width	48¾	Seat Height	19¾	Weight	56
Depth	33¾			Cubic Ft.	36.9
Height	32½				

- Contrasting fabric option – specify X (i.e., N95MKAX); see page 450. For list pricing, use your electronic specification tool or contact customer service
- Stripes and plaids are not recommended as the fabrics may not align at the seams

PERSONAL PULL-UP TABLE



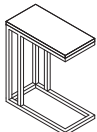
10N1622RTPUW	Wood	\$ 1107
10N1622RTPUL	Laminate	1107

DIMENSIONS

Width	22	Weight	32
Depth	13¾	Cubic Ft.	9.25
Height	28½		

- 50 lb. weight limit
- Specify metal finish (423) Concrete, (462) Cinder, (463) Iron, (501) Platinum Metallic, or (503) Satin Nickel Metallic
- Veneer species is maple
- Acorn is the laminate/wood complement to Clear Walnut
- NON-CONTRACT/OPEN MARKET

PERSONAL PULL-UP TABLE



White Marble



Black Marble

10N1120RTPU2SS	White Marble	\$ 780
10N1620RTPU2SB	Black Marble	780

DIMENSIONS - WHITE MARBLE

Width	20	Weight	30
Depth	11	Cubic Ft.	5
Height	25		

DIMENSIONS - BLACK MARBLE

Width	20	Weight	30
Depth	16	Cubic Ft.	6.95
Height	25		

- 50 lb. weight limit
- White Marble model has a Platinum Metallic base; Black Marble model has a Cinder base
- 10N1620RTPU2SB top material is Porcelain with pattern Nero Marquina
- 10N1120RTPU2SS top material is Nature Mabel species of Bianco Crown Marble
- Specify model number only



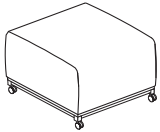
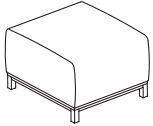
Shaded models are available through our Quick Delivery program and will be delivered within 10 days or less. Shaded models that feature the 48 icon will ship within 48 hours (48). See page 8 for additional program information.

TO ORDER, SPECIFY:

1. Model Number
2. Fabric Grade Number
3. Cover Number
4. Finish Designator
5. Frame Color

- See page 449 for Swift options
- See pages 469-472 for COM fabric yardage

1 SEAT BENCH



Mobile

MODEL NO.

GRADE / LIST PRICE

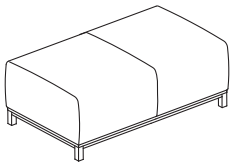
			1	2/COM	3/COL	4	5	6	7	L7	L8
N95DD	1 Seat Bench	\$	1513	1583	1612	1664	1718	1812	1937	2530	2722
QN95DD	1 Seat Bench		1513	1583	1612	1664	1718	1812	1937		
N95DDC	1 Seat Bench - Mobile		1685	1755	1784	1836	1890	1984	2109	2702	2894
QN95DDC	1 Seat Bench - Mobile		1685	1755	1784	1836	1890	1984	2109		

DIMENSIONS

Width	26¼	Weight	35
Depth	30	Cubic Ft.	16.7
Height	19¼		

- Contrasting fabric option – specify X (i.e., N95DDX); see page 450. For list pricing, use your electronic specification tool or contact customer service
- Railroaded fabrics will require a seam on the front and back edges of bench

2 SEAT BENCH



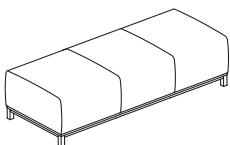
			1	2/COM	3/COL	4	5	6	7	L7	L8
N95EE	2 Seat Bench	\$	2089	2181	2218	2286	2358	2480	2643	3418	3670

DIMENSIONS

Width	51½	Weight	65
Depth	30	Cubic Ft.	29.4
Height	19¼		

- Contrasting fabric option – specify X (i.e., N95EEEX); see page 450. For list pricing, use your electronic specification tool or contact customer service
- Railroaded fabrics will require a seam on the front and back edges of bench

3 SEAT BENCH



			1	2/COM	3/COL	4	5	6	7	L7	L8
N95GG	3 Seat Bench	\$	2666	2825	2890	3008	3132	3345	3628	4973	5410

DIMENSIONS

Width	76	Weight	95
Depth	30	Cubic Ft.	44.8
Height	19¼		

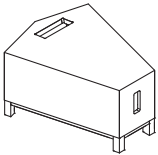
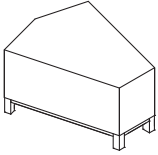
- Contrasting fabric option – specify X (i.e., N95GGX); see page 450. For list pricing, use your electronic specification tool or contact customer service
- Railroaded fabrics will require a seam on the front and back edges of bench

TO ORDER, SPECIFY:

• See page 449 for Swift options

1. Model Number
2. Surface Grommet
3. Side Grommet
4. Wood/Laminate Finish
5. Frame Color

30° TABLE



Optional Surface and Side Grommet Locations

MODEL NO.

LIST PRICE

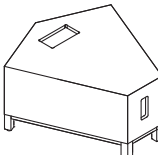
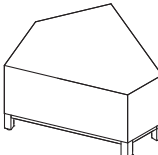
N95KKW	Wood	\$ 1661
N95KKL	Laminate	1559

DIMENSIONS

Width	25	Weight	40
Depth	30¼	Cubic Ft.	12.6
Height	16½		

- Power grommet sold separately; reference pages 609-610 for pricing and details
- Optional surface grommet cutout available in G12, G17, and G23 cutout (+25 list)
- Optional side grommet cutout available in G23 cutout (+25 list)

45° TABLE



Optional Surface and Side Grommet Locations

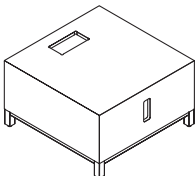
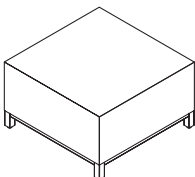
N95LLW	Wood	\$ 1797
N95LLL	Laminate	1695

DIMENSIONS

Width	31½	Weight	45.2
Depth	32¼	Cubic Ft.	16.3
Height	16½		

- Power grommet sold separately; reference pages 609-610 for pricing and details
- Optional surface grommet cutout available in G12, G17, and G23 cutout (+25 list)
- Optional side grommet cutout available in G23 cutout (+25 list)

90° TABLE



Optional Surface and Side Grommet Locations

N95NNW	Wood	\$ 1865
N95NNL	Laminate	1764

DIMENSIONS

Width	28	Weight	47.8
Depth	28	Cubic Ft.	13.1
Height	16½		

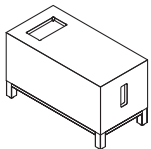
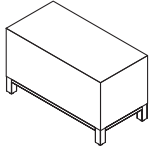
- Power grommet sold separately; reference pages 609-610 for pricing and details
- Optional surface grommet cutout available in G12, G17, and G23 cutout (+25 list)
- Optional side grommet cutout available in G23 cutout (+25 list)

TO ORDER, SPECIFY:

• See page 449 for Swift options

1. Model Number
2. Surface Grommet
3. Side Grommet
4. Wood/Laminate Finish
5. Frame Color

SMALL END TABLE



Optional Surface and Side Grommet Locations

MODEL NO.

LIST PRICE

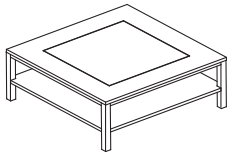
N95PPW	Wood	\$ 1389
N95PPL	Laminate	1289

DIMENSIONS

Width	14	Weight	31.8
Depth	28	Cubic Ft.	7.5
Height	16½		

- Power grommet sold separately; reference pages 609-610 for pricing and details
- Optional surface grommet cutout available in G12, G17, and G23 cutout (+25 list)
- Optional side grommet cutout available in G23 cutout (+25 list)

COFFEE TABLE



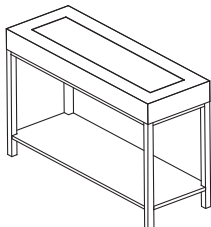
N95RRW	Wood	\$ 2169
N95RRL	Laminate	2070

DIMENSIONS

Width	36	Weight	70
Depth	36	Cubic Ft.	16.8
Height	13¾		

- Power grommet option not available
- Frosted ¾" thick glass insert

CONSOLE TABLE



N95SSW	Wood	\$ 2318
N95SSL	Laminate	2217

DIMENSIONS

Width	50	Weight	74.2
Depth	18	Cubic Ft.	26.4
Height	33½		

- Power grommet option not available
- Frosted ¾" thick glass insert



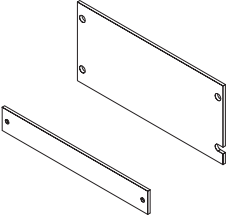
Shaded models are available through our Quick Delivery program and will be delivered within 10 days or less. Shaded models that feature the 48 icon will ship within 48 hours (48). See page 8 for additional program information.

TO ORDER, SPECIFY:

• See page 449 for Swift options

1. Model Number
2. Surface Grommet
3. Side Grommet
4. Wood/Laminate Finish
5. Frame Color

GANGING BRACKET KIT



N95TR	1 Bracket Kit	\$	96
-------	---------------	----	----

DIMENSIONS

Weight	2
Cubic Ft.	0.05

- Ganging bracket recommended for use in static applications for rigid ganging
- Ganging bracket intended for armless-to-armless or armless-to-table connections
- 1 bracket kit used for each connection

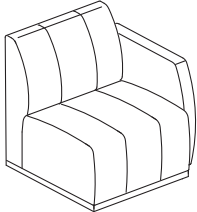
TO ORDER, SPECIFY:

1. Model Number
2. Ganging
3. Fabric Grade Number
4. Cover Number

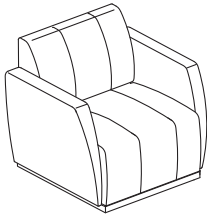
• See page 449 for Swift options

See pages 469-472 for COM fabric yardage

**1 SEAT LOUNGE
VERTICAL TUFT
PLINTH BASE**



Left Arm



Arms

**MODEL
NO.**

GRADE / LIST PRICE

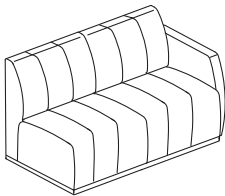
			1	2/COM	3/COL	4	5	6	7	L7	L8
N95MATP	Armless	\$	1953	2061	2105	2185	2269	2413	2605	3517	3813
N95MARTP	Right Arm		2225	2365	2423	2527	2636	2823	3073	4258	4643
N95MALTP	Left Arm		2225	2365	2423	2527	2636	2823	3073	4258	4643
N95AATP	Arms		2543	2721	2794	2926	3064	3302	3619	5124	5612

DIMENSIONS

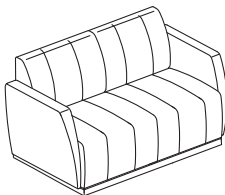
Armless Width	26½	Seat Width	26½	Arm Height	24¼	Armless Weight	49
Single Arm Width	29½	Seat Depth	21¼	Back Height	29½	Single Arm Weight	67
Arm Width	32	Seat Height	16¼	Back Width	26½	Arm Weight	78
Depth	31					Armless Cubic Ft.	17.9
Height	29½					Single Arm Cubic Ft.	19.8
						Arm Cubic Ft.	21.7

• Contrasting fabric option – specify X (i.e., N95MATPX); see page 451. For list pricing, use your electronic specification tool or contact customer service

**2 SEAT LOUNGE
VERTICAL TUFT
PLINTH BASE**



Left Arm



Arms

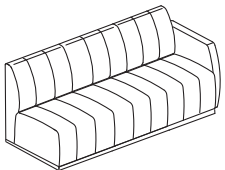
			1	2/COM	3/COL	4	5	6	7	L7	L8
N95MBTP	Armless	\$	2834	3015	3089	3223	3363	3605	3926	5454	5950
N95MBRTP	Right Arm		3105	3313	3398	3552	3713	3991	4360	6116	6686
N95MBLTP	Left Arm		3105	3313	3398	3552	3713	3991	4360	6116	6686
N95BBTP	Arms		3426	3658	3753	3925	4105	4415	4828	6789	7425

DIMENSIONS

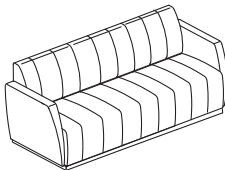
Armless Width	51½	Seat Width	51½	Arm Height	24¼	Armless Weight	84
Single Arm Width	55¼	Seat Depth	21¼	Back Height	29½	Single Arm Weight	113
Arm Width	59¼	Seat Height	16¼	Back Width	51½	Arm Weight	120
Depth	31					Armless Cubic Ft.	34.7
Height	29½					Single Arm Cubic Ft.	37.2
						Arm Cubic Ft.	39.8

• Contrasting fabric option – specify X (i.e., N95MBTPX); see page 451. For list pricing, use your electronic specification tool or contact customer service

**3 SEAT LOUNGE
VERTICAL TUFT
PLINTH BASE**



Left Arm



Arms

			1	2/COM	3/COL	4	5	6	7	L7	L8
N95MCTP	Armless	\$	3716	3973	4077	4267	4467	4809	5265	7431	8134
N95MC RTP	Right Arm		3987	4271	4386	4596	4817	5195	5699	8093	8870
N95MCLTP	Left Arm		3987	4271	4386	4596	4817	5195	5699	8093	8870
N95CCTP	Arms		4305	4613	4738	4966	5206	5616	6163	8762	9606

DIMENSIONS

Armless Width	76	Seat Width	79½	Arm Height	24¼	Armless Weight	141
Single Arm Width	79½	Seat Depth	21¼	Back Height	29½	Single Arm Weight	148
Arm Width	83	Seat Height	16¼	Back Width	79½	Arm Weight	155
Depth	31					Armless Cubic Ft.	56.9
Height	29½					Single Arm Cubic Ft.	54.3
						Arm Cubic Ft.	56.9

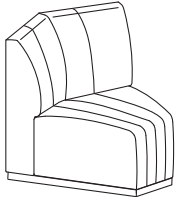
• Contrasting fabric option – specify X (i.e., N95MCTPX); see page 451. For list pricing, use your electronic specification tool or contact customer service

TO ORDER, SPECIFY:

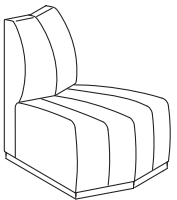
1. Model Number
2. Ganging
3. Fabric Grade Number
4. Cover Number

• See page 449 for Swift options
See pages 469-472 for COM fabric yardage

**30° CORNER LOUNGE
VERTICAL TUFT
PLINTH BASE**



30° Inside Corner



30° Outside Corner

**MODEL
NO.**

GRADE / LIST PRICE

		1	2/COM	3/COL	4	5	6	7	L7	L8
N95MHTP	Inside Corner	\$ 1886	1978	2015	2083	2155	2277	2440	3215	3467
N95MHATP	Outside Corner	1886	1978	2015	2083	2155	2277	2440	3215	3467

DIMENSIONS - INSIDE CORNER

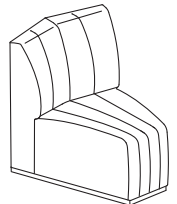
Width	25½	Seat Height	16¼	Weight	40
Depth	32	Back Height	29½	Cubic Ft.	19.3
Height	29½				

DIMENSIONS - OUTSIDE CORNER

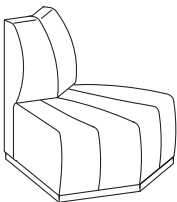
Width	27	Seat Height	16¼	Weight	40
Depth	31	Back Height	29½	Cubic Ft.	19.3
Height	29½				

• Contrasting fabric option – specify X (i.e., N95MHATPX); see page 451. For list pricing, use your electronic specification tool or contact customer service

**45° CORNER LOUNGE
VERTICAL TUFT
PLINTH BASE**



45° Inside Corner



45° Outside Corner

		1	2/COM	3/COL	4	5	6	7	L7	L8
N95MJTP	Inside Corner	\$ 2190	2301	2346	2428	2514	2662	2858	3793	4097
N95MJATP	Outside Corner	2190	2285	2323	2393	2467	2593	2761	3559	3818

DIMENSIONS - INSIDE CORNER

Width	32½	Seat Height	16¼	Weight	45
Depth	32½	Back Height	29½	Cubic Ft.	26.2
Height	29½				

DIMENSIONS - OUTSIDE CORNER

Width	33½	Seat Height	16¼	Weight	45
Depth	33½	Back Height	29½	Cubic Ft.	26.2
Height	29½				

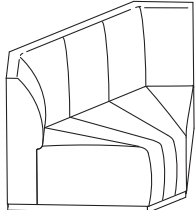
• Contrasting fabric option – specify X (i.e., N95MJATPX); see page 451. For list pricing, use your electronic specification tool or contact customer service

TO ORDER, SPECIFY:

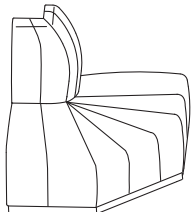
1. Model Number
2. Ganging
3. Fabric Grade Number
4. Cover Number

• See page 449 for Swift options
 See pages 469-472 for COM fabric yardage

**90° CORNER LOUNGE
 VERTICAL TUFT
 PLINTH BASE**



90° Inside Corner



90° Outside Corner

**MODEL
 NO.**

GRADE / LIST PRICE

		1	2/COM	3/COL	4	5	6	7	L7	L8
N95MKTP	Inside Corner	\$ 2834	2972	3028	3130	3237	3421	3665	4828	5206
N95MKATP	Outside Corner	2834	2947	2994	3078	3166	3317	3519	4476	4787

DIMENSIONS - INSIDE CORNER

Width	50½	Seat Height	16¼	Weight	56
Depth	30	Back Height	29½	Cubic Ft.	30
Height	29½				

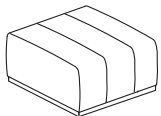
• Contrasting fabric option – specify X (i.e., N95MKATPX); see page 451. For list pricing, use your electronic specification tool or contact customer service

DIMENSIONS - OUTSIDE CORNER

Width	48¾	Seat Height	16¼	Weight	56
Depth	33¾	Back Height	29½	Cubic Ft.	30
Height	29½				

• Contrasting fabric option – specify X (i.e., N95MKATPX); see page 451. For list pricing, use your electronic specification tool or contact customer service

**1 SEAT BENCH
 VERTICAL TUFT
 PLINTH BASE**



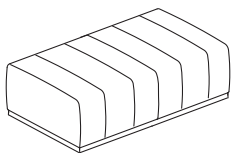
		1	2/COM	3/COL	4	5	6	7	L7	L8
N95DDTP	1 Seat Bench	\$ 1513	1594	1627	1687	1750	1858	2002	2686	2908

DIMENSIONS

Width	26¼	Weight	35
Depth	30	Cubic Ft.	10.9
Height	16¼		

• Contrasting fabric option – specify X (i.e., N95DDTPX); see page 451. For list pricing, use your electronic specification tool or contact customer service

**2 SEAT BENCH
 VERTICAL TUFT
 PLINTH BASE**



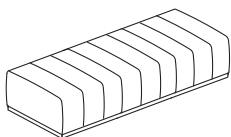
		1	2/COM	3/COL	4	5	6	7	L7	L8
N95EETP	2 Seat Bench	\$ 2089	2202	2249	2333	2421	2572	2774	3731	4042

DIMENSIONS

Width	51½	Weight	65
Depth	30	Cubic Ft.	21.6
Height	16¼		

• Contrasting fabric option – specify X (i.e., N95EETPX); see page 451. For list pricing, use your electronic specification tool or contact customer service

**3 SEAT BENCH
 VERTICAL TUFT
 PLINTH BASE**



		1	2/COM	3/COL	4	5	6	7	L7	L8
N95GGTP	3 Seat Bench	\$ 2666	2858	2936	3078	3227	3483	3823	5442	5968

DIMENSIONS

Width	76	Weight	95
Depth	30	Cubic Ft.	32.3
Height	16¼		

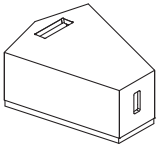
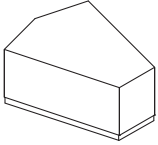
• Contrasting fabric option – specify X (i.e., N95GGTPX); see page 451. For list pricing, use your electronic specification tool or contact customer service

TO ORDER, SPECIFY:

• See page 449 for Swift options

1. Model Number
2. Surface Grommet
3. Side Grommet
4. Ganging
5. Wood/Laminate Finish

**30° TABLE
PLINTH BASE**



**MODEL
NO.**

LIST PRICE

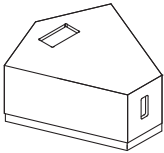
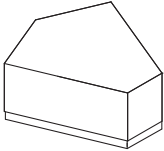
N95KKWP	Wood	\$ 1661
N95KKLP	Laminate	1559

DIMENSIONS

Width	25	Weight	40
Depth	30¼	Cubic Ft.	12.6
Height	16½		

• Optional surface and side grommet locations are available

**45° TABLE
PLINTH BASE**



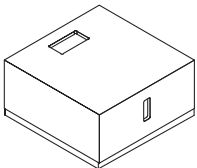
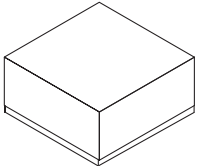
N95LLWP	Wood	\$ 1797
N95LLLP	Laminate	1695

DIMENSIONS

Width	31½	Weight	45.2
Depth	32¼	Cubic Ft.	16.3
Height	16½		

• Optional surface and side grommet locations are available

**90° TABLE
PLINTH BASE**



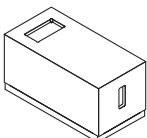
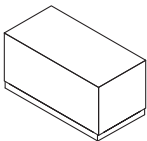
N95NNWP	Wood	\$ 1865
N95NNLP	Laminate	1764

DIMENSIONS

Width	28	Weight	47.8
Depth	28	Cubic Ft.	13.1
Height	16½		

• Optional surface and side grommet locations are available

**SMALL END TABLE
PLINTH BASE**

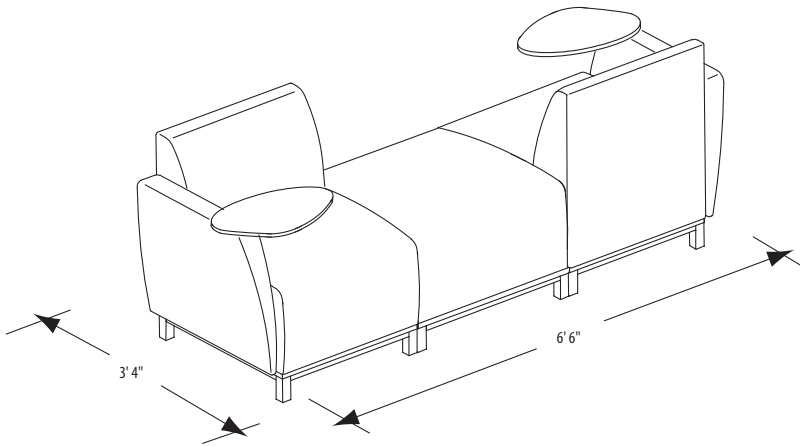


N95PPWP	Wood	\$ 1389
N95PPLP	Laminate	1289

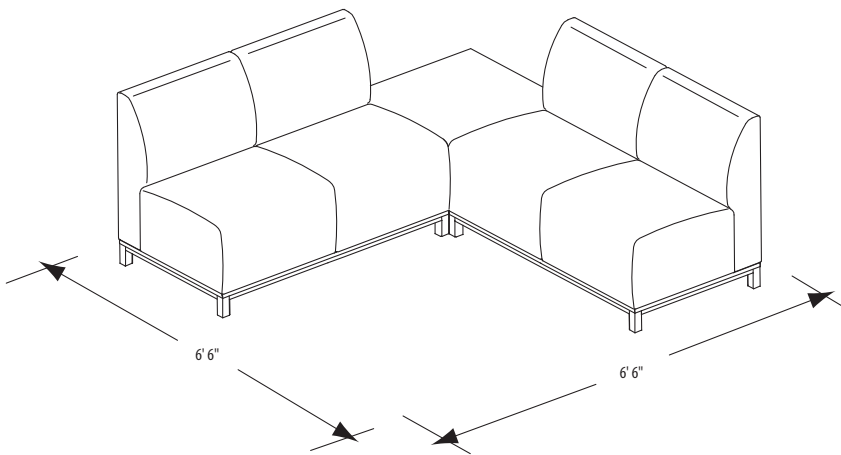
DIMENSIONS

Width	14	Weight	31.8
Depth	28	Cubic Ft.	7.5
Height	16½		

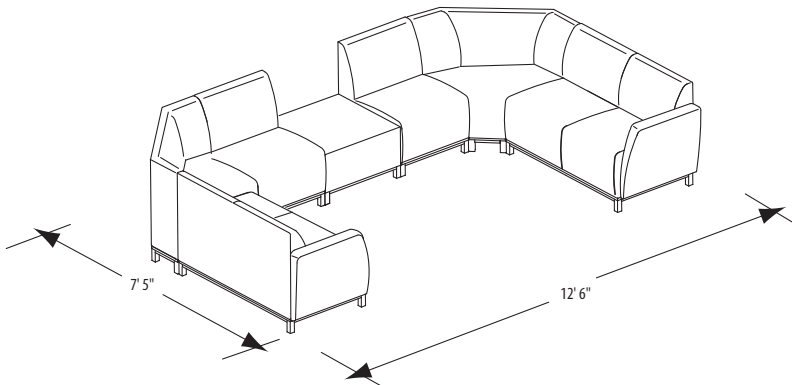
• Optional surface and side grommet locations are available



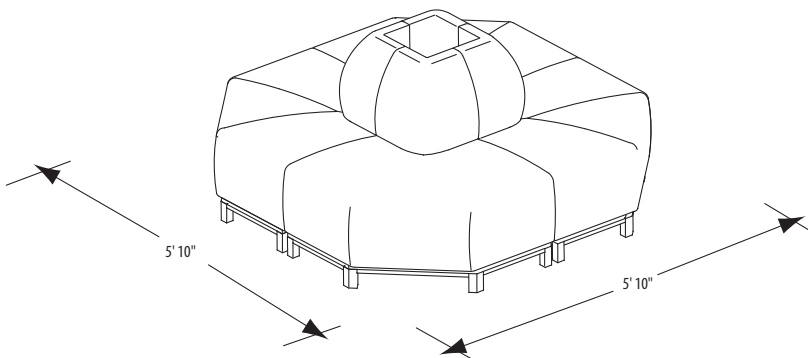
MODEL NO.	QUANTITY	DESCRIPTION	GRADE 1 LIST PRICE
N95MART	(2)	Tablet Right Arm	\$ 2531 ea
N95DD	(1)	1 Seat Bench	1513
N95TR	(10)	Ganging Bracket Kit	96 ea
Total			\$ 7535



MODEL NO.	QUANTITY	DESCRIPTION	GRADE 1 LIST PRICE
N95MB	(2)	Armless 2 Seat Lounge	\$ 2834 ea
N95NNW	(1)	90° Table, Wood	1865
N95TR	(10)	Ganging Bracket Kit	96 ea
Total			\$ 8493



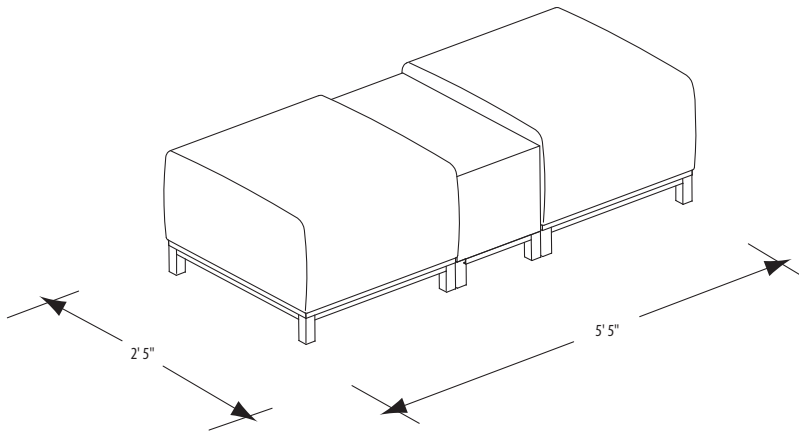
MODEL NO.	QUANTITY	DESCRIPTION	GRADE 1 LIST PRICE
N95MBR	(1)	2 Seat Right Arm	\$ 3105
N95MK	(2)	90° Inside Corner	2834 ea
N95MA	(2)	1 Seat Armless	1953 ea
N95MBL	(1)	2 Seat Left Arm	3105
N95NNW	(1)	90° Table, Wood	1865
N95TR	(10)	Ganging Bracket Kit	96 ea
Total			\$ 18,609



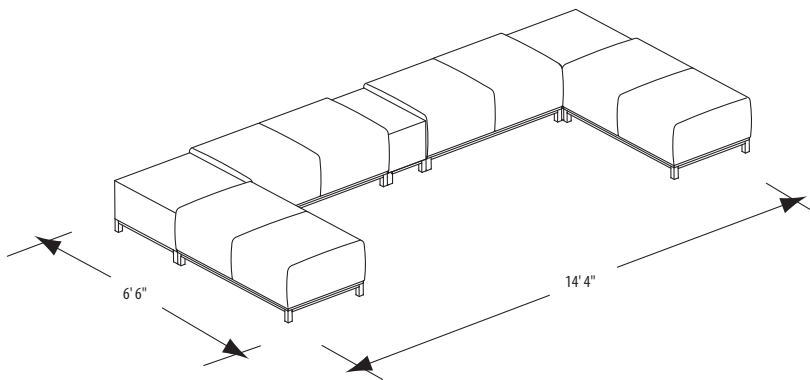
MODEL NO.	QUANTITY	DESCRIPTION	GRADE 1 LIST PRICE
N95MKA	(4)	90° Outside Corner	\$ 2834 ea
N95TR	(10)	Ganging Bracket Kit	96 ea
Total			\$ 12,296

SWIFT

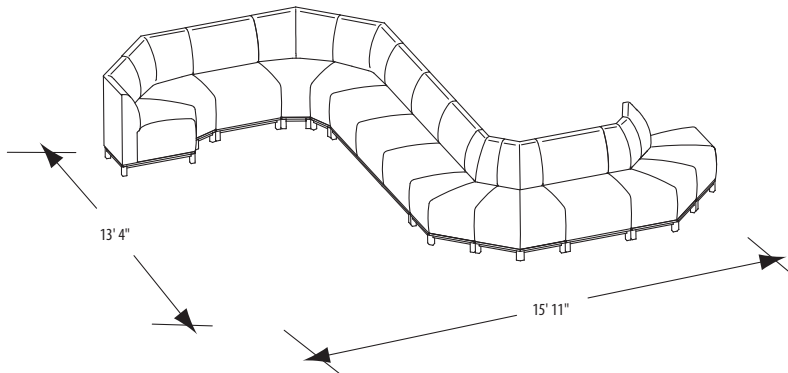
SWIFT



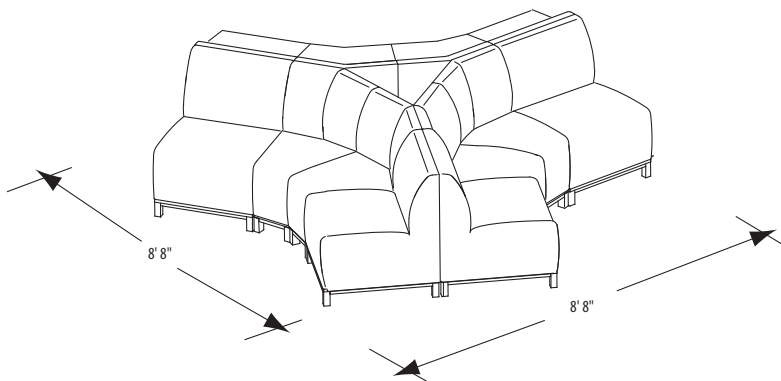
MODEL NO.	QUANTITY	DESCRIPTION	GRADE 1 LIST PRICE
N95DD	(2)	1 Seat Bench	\$ 1513 ea
N95PPW	(1)	Small End Table, Wood	1389
N95TR	(10)	Ganging Bracket Kit	96 ea
Total			\$ 5375



MODEL NO.	QUANTITY	DESCRIPTION	GRADE 1 LIST PRICE
N95EE	(4)	2 Seat Bench	\$ 2089 ea
N95NNW	(2)	90° Table, Wood	1865 ea
N95PPW	(1)	Small End Table, Wood	1389
N95TR	(10)	Ganging Bracket Kit	96 ea
Total			\$ 14,435

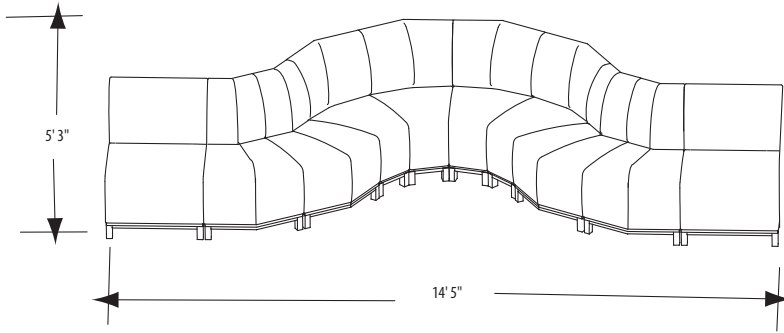


MODEL NO.	QUANTITY	DESCRIPTION	GRADE 1 LIST PRICE
N95MJ	(4)	45° Inside Corner	\$ 2190 ea
N95MJA	(4)	45° Outside Corner	2190 ea
N95MA	(2)	1 Seat Armless	1953 ea
N95MC	(1)	3 Seat Armless	3716
N95TR	(10)	Ganging Bracket Kit	96 ea
Total			\$ 26,102

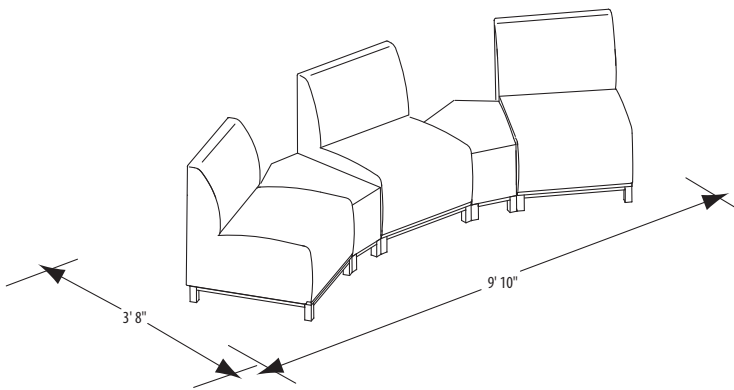


MODEL NO.	QUANTITY	DESCRIPTION	GRADE 1 LIST PRICE
N95MA	(6)	1 Seat Armless	\$ 1953 ea
N95MH	(6)	30° Inside Corner	1886 ea
N95TR	(10)	Ganging Bracket Kit	96 ea
Total			\$ 23,994

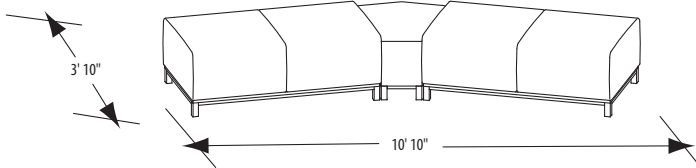
SWIFT



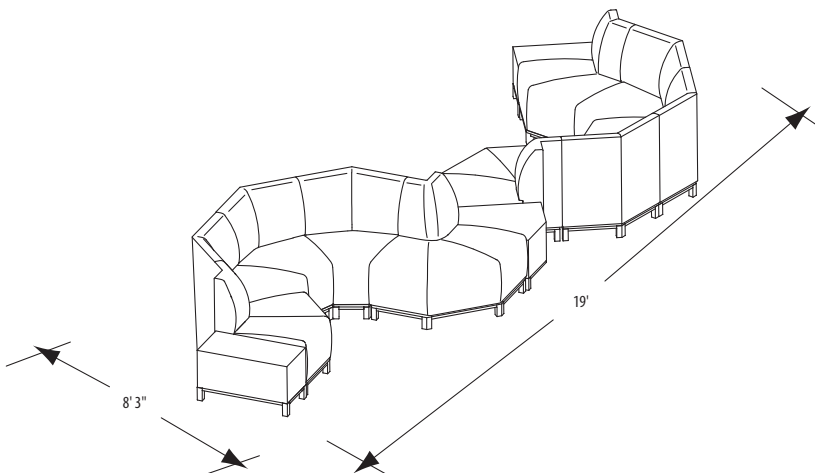
MODEL NO.	QUANTITY	DESCRIPTION	GRADE 1 LIST PRICE
N95MA	(2)	1 Seat Armless	\$ 1953 ea
N95MHA	(4)	30° Outside Corner	1886 ea
N95MH	(4)	30° Inside Corner	1886 ea
N95TR	(10)	Ganging Bracket Kit	96 ea
Total			\$ 19,954



MODEL NO.	QUANTITY	DESCRIPTION	GRADE 1 LIST PRICE
N95MA	(3)	1 Seat Armless	\$ 1953 ea
N95KKW	(2)	30° Corner Table	1661 ea
N95TR	(10)	Ganging Bracket Kit	96 ea
Total			\$ 10,141

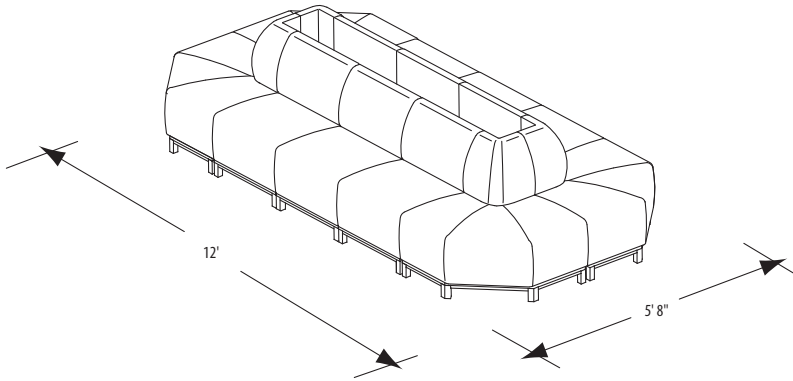


MODEL NO.	QUANTITY	DESCRIPTION	GRADE 1 LIST PRICE
N95EE	(2)	2 Seat Bench	\$ 2089 ea
N95KKW	(1)	30° Corner Table	1661
N95TR	(10)	Ganging Bracket Kit	96 ea
Total			\$ 6799

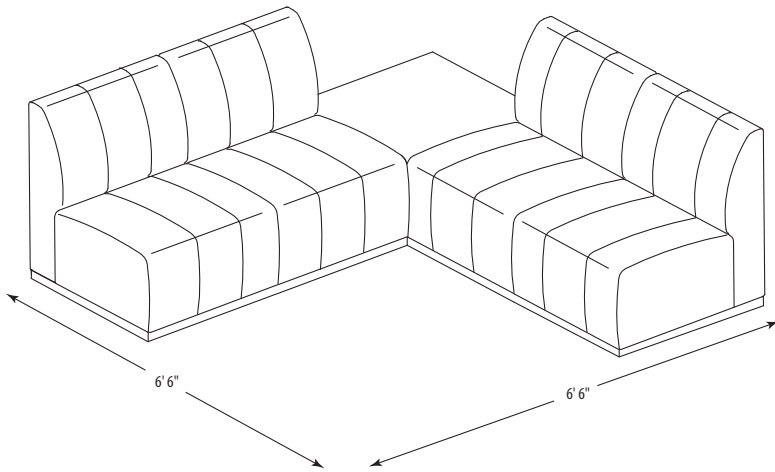


MODEL NO.	QUANTITY	DESCRIPTION	GRADE 1 LIST PRICE
N95PPW	(2)	Small End Table, Wood	\$ 1389 ea
N95MJA	(2)	45° Outside Corner Unit	2190 ea
N95MJ	(6)	45° Inside Corner Unit	2190 ea
N95MKA	(2)	90° Outside Corner Unit	2834 ea
N95KKW	(1)	30° Corner Table	1661
N95TR	(20)	Ganging Bracket Kit	96 ea
Total			\$ 29,547

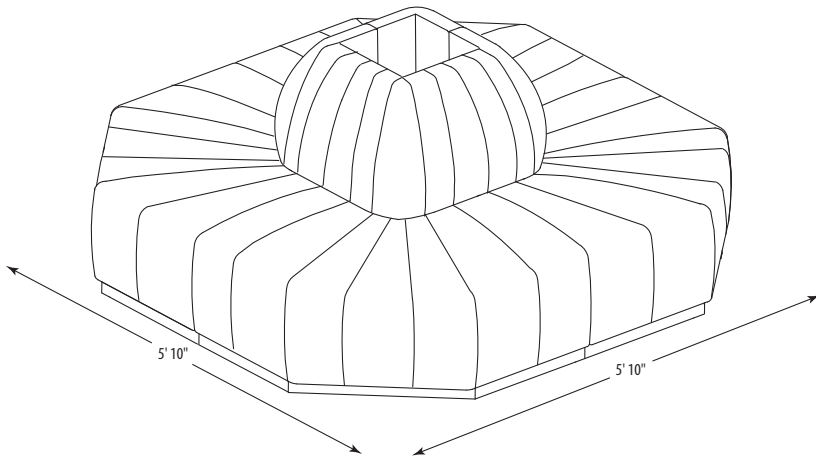
SWIFT



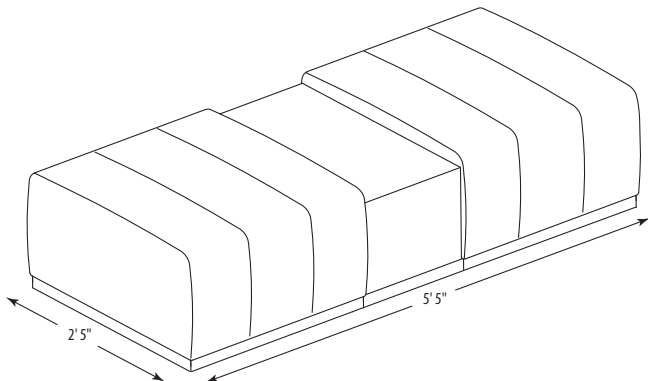
MODEL NO.	QUANTITY	DESCRIPTION	GRADE 1 LIST PRICE
N95MKA	(4)	90° Outside Corner Unit	\$ 2834 ea
N95MA	(6)	1 Seat Armless	1953 ea
N95TR	(20)	Ganging Bracket Kit	96 ea
Total			\$ 24,974



MODEL NO.	QUANTITY	DESCRIPTION	GRADE 1 LIST PRICE
N95MBTP	(2)	Armless 2 Seat Lounge Vertical Tuft Plinth Base (Price includes Ganging Left (L) and Ganging Right (R) Options +\$52 each)	\$ 2886 ea
N95NNWP	(1)	90° Table Plinth Base, Wood (Price includes Ganging Left and Right (LR) Option \$104)	1969
Total			\$ 7741



MODEL NO.	QUANTITY	DESCRIPTION	GRADE 1 LIST PRICE
N95MKATP	(4)	90° Outside Corner (Price includes Vertical Plinth Base Ganging Left and Right (LR) Option \$104 each)	\$ 2938 ea
Total			\$ 11,752



MODEL NO.	QUANTITY	DESCRIPTION	GRADE 1 LIST PRICE
N95DDTP	(2)	One Seat Bench Vertical Stitch Plinth Base (Price includes Ganging Left (L) and Ganging Right (R) Options +\$52 each)	\$ 1565 ea
N95PPWP	(1)	Small End Table Plinth Base, Wood (Price includes Ganging Left and Right (LR) Option \$104)	1493
Total			\$ 4623

SWIFT

COM YARDAGE REQUIREMENTS

COM YARDAGE REQUIREMENTS (54" WIDTH – CUT UP THE ROLL)

MODEL	RAILROADED Contact customer service 800-482-1717 for ydg requirements	NON DIRECTIONAL OR SOLID	1"-4" REPEAT	5"-11" REPEAT	12"-18" REPEAT	COL SQUARE FEET
			4" VERTICAL X 4" HORIZONTAL	11" VERTICAL X 11" HORIZONTAL	18" VERTICAL X 18" HORIZONTAL	
N95AA, N95AAC, N95AAL, N95AALC, N95AAR, N95AARC		5.80	7.00	8.40	9.50	116
N95AATP	Complete	6.90	8.00	9.90	10.60	136
N95AAX, N95AACX, N95AALX, N95AALCX, N95AARX, N95AARCX	Back	0.90	1.00	1.10	1.00	8
	Extreme	1.00	1.00	1.20	1.10	9
	Back Accent	1.00	1.00	1.20	1.10	6
	Seat	1.30	1.40	1.80	1.70	12
	Seat Accent	1.00	1.00	1.20	1.30	17
	Arm	2.50	2.80	3.80	4.00	48
N95AATPX	Back	1.20	1.20	1.50	2.10	23
	Extreme	1.00	1.00	1.20	1.10	9
	Back Accent	1.00	1.00	1.20	1.80	11
	Seat	1.70	1.80	2.10	2.30	33.50
	Seat Accent	1.00	1.30	1.50	1.80	19
	Arm	2.50	3.20	4.50	4.30	48.50
N95BB, N95BBB, N95BBL, N95BBR		7.00	10.60	12.70	13.90	140
N95BBTP	Complete	10.40	11.60	13.90	14.10	205
N95BBX, N95BBBX, N95BBLX, N95BBRX	Back	1.40	1.70	2.00	2.00	26
	Extreme	1.80	1.90	2.10	2.10	34
	Back Accent	1.00	1.00	1.20	1.10	6
	Seat	1.90	3.40	4.00	4.30	35
	Seat Accent	1.00	1.00	1.20	1.30	17
	Arm	2.50	2.80	3.80	4.00	48
N95BBTPX	Back	2.20	2.30	2.70	3.60	44
	Extreme	1.80	1.90	2.10	2.10	34
	Back Accent	1.00	1.00	1.20	1.80	11
	Seat	3.30	3.50	3.90	4.30	65
	Seat Accent	1.00	1.30	1.50	1.80	19
	Arm	2.50	3.20	4.50	4.30	48.50
N95CC, N95CCB, N95CCL, N95CCR		9.00	14.10	16.30	18.40	179
N95CCTP	Complete	13.80	15.10	17.90	18.10	273
N95CCTPX	Back	3.30	3.50	3.90	5.10	64.50
	Extreme	2.60	2.80	3.00	3.00	50.50
	Back Accent	1.00	1.00	1.20	1.80	11
	Seat	4.90	5.20	5.70	6.30	96.50
	Seat Accent	1.00	1.30	1.50	1.80	19
	Arm	2.50	3.20	4.50	4.30	48.50
N95CCX, N95CCBX, N95CCLX, N95CCRX	Back	1.70	2.50	3.00	3.00	31
	Extreme	2.60	2.80	3.00	3.00	50.50
	Back Accent	1.00	1.00	1.20	1.10	6
	Seat	3.00	5.30	6.10	6.80	58
	Seat Accent	1.00	1.20	1.30	1.30	17
	Arm	2.50	2.80	3.80	4.00	48
N95DD, N95DDC		2.60	2.90	3.20	3.50	52
N95DDX, N95DDCX	Seat	1.70	1.80	1.80	1.90	22.50
	Seat Accent	1.00	1.00	1.30	1.40	18
N95EE		3.40	5.50	6.20	6.50	68
N95EEX	Seat	2.60	4.50	4.90	5.40	49.25
	Seat Accent	1.00	1.00	1.30	1.40	18
N95GG		5.90	8.00	9.30	9.50	118
N95GGX	Seat	5.00	7.00	8.00	8.40	98
	Seat Accent	1.00	1.00	1.30	1.40	18
N95MA, N95MAC		3.20	4.30	5.00	5.40	64
N95MAL, N95MALT, N95MAR, N95MART		4.20	5.70	6.60	7.40	84
N95MALTP, N95MARTP	Complete	5.80	6.50	8.15	9.05	115.20

SWIFT

COM YARDAGE REQUIREMENTS

COM YARDAGE REQUIREMENTS (54" WIDTH – CUT UP THE ROLL)

MODEL	RAILROADED Contact customer service 800-482-1717 for ydg requirements	NON DIRECTIONAL OR SOLID	1"-4" REPEAT	5"-11" REPEAT	12"-18" REPEAT	COL SQUARE FEET
			4" VERTICAL X 4" HORIZONTAL	11" VERTICAL X 11" HORIZONTAL	18" VERTICAL X 18" HORIZONTAL	
N95MALTPX, N95MARTPX	Back	1.20	1.20	1.50	2.10	23
	Extreme	1.00	1.00	1.20	1.10	9
	Back Accent	1.00	1.00	1.20	1.80	11
	Seat	1.70	1.80	2.10	2.30	33.50
	Seat Accent	1.00	1.30	1.50	1.80	19
	Arm	1.40	1.70	2.75	2.75	28
N95MALX, N95MALT N95MARX, N95MARTX	Back	0.90	1.00	1.10	1.00	8
	Extreme	1.00	1.00	1.20	1.10	9
	Back Accent	1.00	1.00	1.20	1.10	6
	Seat	1.30	1.40	1.80	1.70	12
	Seat Accent	1.00	1.00	1.20	1.30	17
	Arm	1.50	1.50	2.00	2.00	27
N95MAX, N95MACX	Back	0.90	1.00	1.10	1.00	8
	Extreme	1.00	1.00	1.20	1.10	9
	Back Accent	1.00	1.00	1.20	1.10	6
	Seat	1.30	1.40	1.80	1.70	12
	Seat Accent	1.00	1.00	1.20	1.30	17
N95MB		5.10	7.90	9.30	9.90	102
N95MBL, N95MBLT, N95MBR, N95MBRT		6.10	9.20	10.50	11.90	122
N95MBLTP, N95MBRTP	Complete	9.30	10.10	12.15	12.55	184
N95MBLTPX, N95MBRTPX	Back	2.20	2.30	2.70	3.60	44
	Extreme	1.80	1.90	2.10	2.10	34
	Back Accent	1.00	1.00	1.20	1.80	11
	Seat	3.30	3.50	3.90	4.30	65
	Seat Accent	1.00	1.30	1.50	1.80	19
	Arm	1.40	1.70	2.75	2.75	28
N95MBLX, N95MBLT N95MBRX, N95MBRTX	Back	1.40	1.70	2.00	2.00	26
	Extreme	1.80	1.90	2.10	2.10	34
	Back Accent	1.00	1.00	1.20	1.10	6
	Seat	1.90	3.40	4.00	4.30	35
	Seat Accent	1.00	1.00	1.20	1.30	17
	Arm	1.50	1.50	2.00	2.00	27
N95MBX	Back	1.40	1.70	2.00	2.00	26
	Extreme	1.80	1.90	2.10	2.10	34
	Back Accent	1.00	1.00	1.20	1.10	6
	Seat	1.90	3.40	4.00	4.30	35
	Seat Accent	1.00	1.00	1.20	1.30	17
N95MC		7.10	11.40	13.00	14.40	142
N95MCL, N95MCLT, N95MCR, N95MCRT		8.10	12.80	14.50	16.40	162
N95MCLTP, N95MCRTP	Complete	12.70	13.60	16.15	16.55	252.17
N95MCLTPX, N95MCRTPX	Back	3.30	3.50	3.90	5.10	64.50
	Extreme	2.60	2.80	3.00	3.00	50.50
	Back Accent	1.00	1.00	1.20	1.80	11
	Seat	4.90	5.20	5.70	6.30	96.50
	Seat Accent	1.00	1.30	1.50	1.80	19
	Arm	1.40	1.70	2.75	2.75	28
N95MCLX, N95MCLT N95MCRX, N95MCRTX	Back	1.70	2.50	3.00	3.00	31
	Extreme	2.60	2.80	3.00	3.00	50.50
	Back Accent	1.00	1.00	1.20	1.10	6
	Seat	3.00	5.30	6.10	6.80	58
	Seat Accent	1.00	1.00	1.20	1.30	17
	Arm	1.50	1.50	2.00	2.00	27
N95MCX	Back	1.70	2.50	3.00	3.00	31
	Extreme	2.60	2.80	3.00	3.00	50.50
	Back Accent	1.00	1.00	1.20	1.10	6
	Seat	3.00	5.30	6.10	6.80	58
	Seat Accent	1.00	1.00	1.20	1.30	17
N95MH		2.60	3.30	4.10	5.00	52

COM YARDAGE REQUIREMENTS

COM YARDAGE REQUIREMENTS (54" WIDTH – CUT UP THE ROLL)

MODEL	RAILROADED Contact customer service 800-482-1717 for ydg requirements	NON DIRECTIONAL OR SOLID	1"-4" REPEAT	5"-11" REPEAT	12"-18" REPEAT	COL SQUARE FEET
			4" VERTICAL X 4" HORIZONTAL	11" VERTICAL X 11" HORIZONTAL	18" VERTICAL X 18" HORIZONTAL	
N95MHX	Back	0.90	1.00	1.10	1.00	17
	Extreme	1.00	1.00	1.20	1.10	10.50
	Back Accent	1.00	1.00	1.20	1.10	6
	Seat	1.40	1.40	1.70	1.80	26.50
	Seat Accent	1.00	1.00	1.20	1.30	17
N95MHA		2.60	3.40	4.10	4.40	52
N95MHAX	Back	0.90	1.00	1.10	1.00	17
	Extreme	1.00	1.00	1.20	1.10	10.50
	Back Accent	1.00	1.00	1.20	1.10	6
	Seat	1.50	1.60	1.70	1.80	28
	Seat Accent	1.00	1.00	1.20	1.30	17
N95MJ		3.30	3.70	5.00	5.20	66
N95MJX	Back	1.00	1.00	1.20	1.00	17
	Extreme	1.00	1.00	1.20	1.10	12.50
	Back Accent	1.00	1.00	1.20	1.10	6
	Seat	1.50	1.60	1.70	1.80	29
	Seat Accent	1.00	1.00	1.20	1.30	17
N95MJA		2.50	3.30	3.70	4.40	50
N95MJAX	Back	0.90	0.90	1.10	1.00	15
	Extreme	1.00	1.00	1.20	1.10	4.50
	Back Accent	1.00	1.00	1.20	1.10	6
	Seat	1.50	1.60	1.70	3.30	28
	Seat Accent	1.00	1.00	1.20	1.30	17
N95MK		4.10	4.40	6.60	7.10	82
N95MKX	Back	1.70	1.70	2.00	2.00	31
	Extreme	1.80	1.90	2.10	2.10	34
	Back Accent	1.00	1.00	1.20	1.10	6
	Seat	1.40	1.50	1.70	1.80	26.50
	Seat Accent	1.00	1.00	1.20	1.30	17
N95MKA		3.40	3.70	4.60	6.00	68
N95MKAX	Back	0.90	1.00	1.10	1.00	15
	Extreme	1.00	1.00	1.20	1.10	6
	Back Accent	1.00	1.00	1.20	1.30	17
	Seat	2.00	2.20	2.60	4.70	39
	Seat Accent	1.00	1.00	1.20	1.30	17
N95MATP	Complete	4.40	4.80	5.40	6.30	87.50
N95MATPX	Back	1.20	1.20	1.50	2.10	23
	Extreme	1.00	1.00	1.20	1.10	9
	Back Accent	1.00	1.00	1.20	1.80	11
	Seat	1.70	1.80	2.10	2.30	33.50
	Seat Accent	1.00	1.30	1.50	1.80	19
N95MBTP	Complete	7.90	8.40	9.40	9.80	156
N95MBTPX	Back	2.20	2.30	2.70	3.60	44
	Extreme	1.80	1.90	2.10	2.10	34
	Back Accent	1.00	1.00	1.20	1.80	11
	Seat	3.30	3.50	3.90	4.30	65
	Seat Accent	1.00	1.30	1.50	1.80	19
N95MCTP	Complete	11.30	11.90	13.40	13.80	224.50
N95MCTPX	Back	3.30	3.50	3.90	5.10	64.50
	Extreme	2.60	2.80	3.00	3.00	50.50
	Back Accent	1.00	1.00	1.20	1.80	11
	Seat	4.90	5.20	5.70	6.30	96.50
	Seat Accent	1.00	1.30	1.50	1.80	19
N95MHATP	Complete	6.30	6.60	8.50	8.60	124
N95MHATPX	Back	2.20	2.30	2.70	3.60	44
	Extreme	1.00	1.00	1.20	1.10	10.50
	Back Accent	1.00	1.00	1.20	1.10	6
	Seat	3.25	3.50	3.90	4.30	65
	Seat Accent	1.00	1.00	1.20	1.30	17

SWIFT

COM YARDAGE REQUIREMENTS

COM YARDAGE REQUIREMENTS (54" WIDTH – CUT UP THE ROLL)

MODEL	RAILROADED Contact customer service 800-482-1717 for ydg requirements	NON DIRECTIONAL OR SOLID	1"-4" REPEAT	5"-11" REPEAT	12"-18" REPEAT	COL SQUARE FEET
			4" VERTICAL X 4" HORIZONTAL	11" VERTICAL X 11" HORIZONTAL	18" VERTICAL X 18" HORIZONTAL	
N95MHTP	Complete	5.50	5.80	6.60	7.60	108.50
N95MHTPX	Back	2.20	2.30	2.70	2.60	44
	Extreme	1.00	1.00	1.20	1.10	10.50
	Back Accent	1.00	1.00	1.20	1.10	6
	Seat	1.70	1.80	2.10	2.30	33.50
	Seat Accent	1.00	1.00	1.20	1.30	17
N95MJATP	Complete	6.20	6.70	8.50	8.60	123.50
N95MJATPX	Back	2.20	2.30	2.70	3.60	44
	Extreme	1.00	1.00	1.20	1.10	4.50
	Back Accent	1.00	1.00	1.20	1.10	6
	Seat	3.30	3.40	3.90	4.40	64.50
	Seat Accent	1.00	1.00	1.20	1.30	17
N95MJTP	Complete	7.40	7.80	8.50	8.80	146
N95MJTPX	Back	3.30	3.50	3.90	4.30	65
	Extreme	1.00	1.00	1.20	1.10	12.50
	Back Accent	1.00	1.00	1.20	1.10	6
	Seat	2.50	2.60	2.80	3.20	50
	Seat Accent	1.00	1.00	1.20	1.30	17
N95MKATP	Complete	8.90	9.30	11.20	11.80	176
N95MKATPX	Back	3.30	3.50	3.90	5.10	64.50
	Extreme	1.00	1.00	1.20	1.10	6
	Back Accent	1.00	1.00	1.20	1.30	17
	Seat	4.90	5.20	5.70	6.30	96.50
	Seat Accent	1.00	1.00	1.20	1.30	17
N95MKTP	Complete	6.80	7.40	8.80	10.10	134
N95MKTPX	Back	3.80	4.00	5.00	5.10	75
	Extreme	1.80	1.90	2.10	2.10	34
	Back Accent	1.00	1.00	1.20	1.10	6
	Seat	2.70	2.80	3.00	3.60	53.50
	Seat Accent	1.00	1.00	1.20	1.30	17
N95DDTP	Complete	3.50	3.75	4.00	4.25	69.50
N95DDTPX	Seat	2.50	2.50	2.75	3.20	49.50
	Seat Accent	1.20	1.25	1.50	2.25	22.50
N95EETP	Complete	5.90	6.00	6.40	6.70	116.25
N95EETPX	Seat	4.90	5.00	5.20	5.70	96.30
	Seat Accent	1.20	1.25	1.50	2.25	22.50
N95GGTP	Complete	8.20	8.50	8.90	9.20	163.50
N95GGTPX	Seat	7.20	7.50	7.60	8.20	143.50
	Seat Accent	1.20	1.25	1.50	2.25	22.50