
TELLARO

Product Specifications	490
Fabrics and Options	491
Contrasting Fabrics Specifications	492
Product Pages	493
COM Yardage Requirements	496

TELLARO

TELLARO PRODUCT SPECIFICATIONS

FRAME CONSTRUCTION

- Interior frame is constructed of plywood with tenon joints that are glued and screwed for maximum joint stability
- Separate interior components are joined with bolts
- Nylon ¾" adjustable leveling glide

SEAT CONSTRUCTION

- Seat cushions are tethered and feature 6" of high grade polyurethane foam, custom shaped and fabricated
- Black denim and ¼" felt insulator cover high tension strip webbing for comfort

BACK CONSTRUCTION

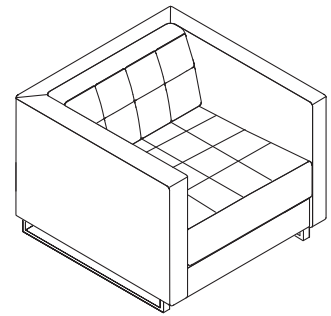
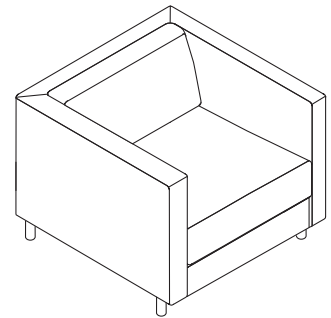
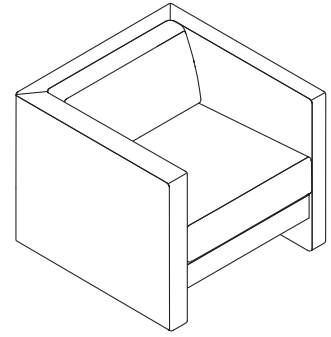
- 4½" of high grade polyurethane foam custom shaped and fabricated covers a plywood panel
- Panel is securely fastened to interior back frame with screws

ARM CONSTRUCTION

- Arms are wrapped with ½" of high grade polyurethane foam custom shaped, fabricated and slip-covered
- Arms are connected to seat and wall frame using 5 bolts per arm

LEGS

- Metal cylinder legs offered in Concrete, Cinder, Iron, Polished, Platinum Metallic, and Satin Nickel Metallic
- Metal U-legs offered in Cinder, Polished, Platinum Metallic, and Satin Nickel Metallic
- Wood U-legs offered in all National seating finishes



Please contact customer service for Tellaro models that may be ordered to meet TB133 fire code.

To order seating to meet the TB133 fire code, specify an "F" at the end of the model number (Ex: N74M1AF).

For TB133 pricing go to www.NationalOfficeFurniture.com/TB133

Please consult customer service for applicable Arc-Com, COM, Designtex, Maharam, Momentum, Stinson, or Ultrafabrics fabric.

FABRICS

Grade 1	Cali
	Input
	Plush
	Ridge
	Stardust Vessel
Grade 2	Bliss
	Brilliant
	COM
	Dorset
	Orbit
	Phrase
	Pixie
	Sedona Strand

Grade 3	COL
	Jacks
	Silvertex
Grade 4	Connect Four
	Echo
	Masquerade
Grade 5	Mode

Grade 6	Essence/Ultraleather
Grade 7	Brisa
	Brisa Distressed
	Reef Pro
	Silica
	Silica Etch Tottori
Grade L7	Davenport
Grade L8	Florence

METAL LEG COLORS

265	Polished
423	Concrete
462	Cinder
463	Iron
501	Platinum Metallic
503	Satin Nickel Metallic

WOOD LEG COLORS

AC	Autumn
AD	Almond
CL	Caramel
CW	Cordovan
DW	Judicial
HN	Honey
IM	Brighton
MC	Amber
MH	Mocha
NM	Natural
PB	Portobello
PT	Portico
SK	Skyline
SM	Sonoma
TF	Truffle
405	Designer White
462	Cinder
792	Sable
793	Acorn*

*Acorn is the finish complement to Clear Walnut finish

TO ORDER CONTRASTING FABRIC, SPECIFY

TELLARO

1 Seat Lounge page 493

1 Seat Lounge Cylinder Leg page 493

1 Seat Lounge U-Leg Metal page 493

1 Seat Lounge U-Leg Wood page 493

2½ Seat Lounge page 494

2½ Seat Lounge Cylinder Leg page 494

2½ Seat Lounge U-Leg Metal page 494

2½ Seat Lounge U-Leg Wood page 494

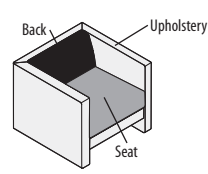
4 Seat Lounge page 495

4 Seat Lounge Cylinder Leg page 495

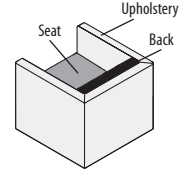
4 Seat Lounge U-Leg Metal page 495

4 Seat Lounge U-Leg Wood page 495

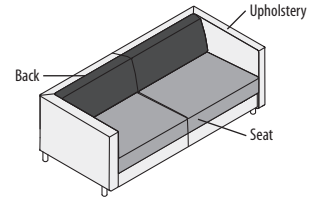
1. Model Number plus "X"
2. Back Fabric Grade Number/Cover Number
3. Seat Fabric Grade Number/Cover Number
4. Upholstery Fabric Grade Number/Cover Number



Contrasting Upholstery
Front View



Contrasting Upholstery
Back View



Contrasting Upholstery
Front View



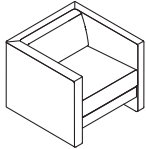
Shaded models are available through our Quick Delivery program and will be delivered within 10 days or less. Shaded models that feature the 48 icon will ship within 48 hours (48). See page 8 for additional program information.

TO ORDER, SPECIFY:

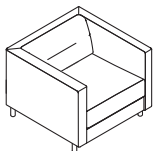
1. Model Number
2. Fabric Grade / Cover Number
3. Metal / Wood Leg Finish

- See page 491 for Tellaro options
- See pages 496-497 for COM fabric yardage

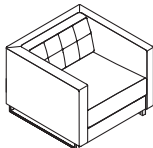
1 SEAT LOUNGE



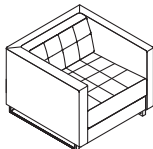
Fully Upholstered Leg Non-Tufted



Cylinder Leg Horizon Back Stitch



U-Leg Wood Tufted Back



U-Leg Metal Tufted Seat and Back

MODEL NO.

GRADE / LIST PRICE

			1	2/COM	3/COL	4	5	6	7	L7	L8
FULLY UPHOLSTERED LEG											
N74M1A	Non-Tufted	\$	1743	1892	1952	2062	2178	2376	2640	3894	4301
QN74M1A	Non-Tufted		1743	1892	1952	2062	2178	2376	2640		
N74M1AT	Sewn-Tufted Back and Seat		1969	2153	2227	2363	2506	2751	3077	4628	5131
N74M1ATB	Sewn-Tufted Back		1856	2023	2092	2216	2346	2569	2867	4280	4739
N74M1AS	Horizon Back Stitch		1856	2005	2065	2175	2291	2489	2753	4007	4414
CYLINDER LEG											
N74M1AC	Non-Tufted	\$	2013	2141	2194	2289	2388	2559	2787	3870	4222
N74M1ATC	Sewn-Tufted Back and Seat		2239	2401	2467	2587	2713	2929	3217	4585	5029
N74M1ATBC	Sewn-Tufted Back		2127	2276	2336	2446	2562	2760	3024	4278	4685
N74M1ASC	Horizon Back Stitch		2127	2255	2308	2403	2502	2673	2901	3984	4336
U-LEG WOOD											
N74M1AUW	Non-Tufted	\$	2230	2358	2411	2506	2605	2776	3004	4087	4439
N74M1ATUW	Sewn-Tufted Back and Seat		2455	2617	2683	2803	2929	3145	3433	4801	5245
N74M1ATBUW	Sewn-Tufted Back		2343	2492	2552	2662	2778	2976	3240	4494	4901
N74M1ASUW	Horizon Back Stitch		2343	2471	2524	2619	2718	2889	3117	4200	4552
U-LEG METAL											
N74M1AUM	Non-Tufted	\$	2284	2412	2465	2560	2659	2830	3058	4141	4493
N74M1ATUM	Sewn-Tufted Back and Seat		2510	2672	2738	2858	2984	3200	3488	4856	5300
N74M1ATBUM	Sewn-Tufted Back		2397	2546	2606	2716	2832	3030	3294	4548	4955
N74M1ASUM	Horizon Back Stitch		2397	2525	2578	2673	2772	2943	3171	4254	4606

DIMENSIONS

Width	30%	Seat Width	24	Weight	83
Depth	32%	Seat Depth	21½	Cubic Ft.	23.5
Height	26%	Seat Height	16%		

- Contrasting fabric option - specify X (i.e. N74M1AX); see page 492. For list pricing, use your electronic specification tool or contact customer service
- Sewn tufted detail on stripes and large patterns are not recommended, as the fabric will appear distorted or wavy across the back and seat

TELLARO

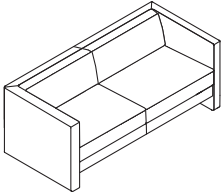
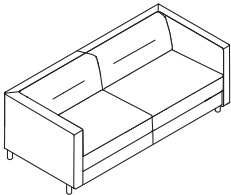
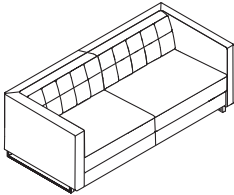
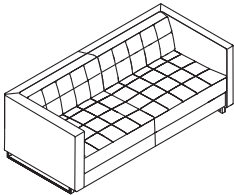
TO ORDER, SPECIFY:

1. Model Number
2. Fabric Grade / Cover Number
3. Metal / Wood Leg Finish

• See page 491 for Tellaro options

See pages 496-497 for COM fabric yardage

2½ SEAT LOUNGE

Fully Upholstered Leg
Non-TuftedCylinder Leg
Horizon Back StitchU-Leg Wood
Tufted BackU-Leg Metal
Tufted Seat and BackMODEL
NO.

GRADE / LIST PRICE

			1	2/COM	3/COL	4	5	6	7	L7	L8
FULLY UPHOLSTERED LEG											
N74M2A	Non-Tufted	\$	2812	3060	3162	3346	3539	3870	4312	6409	7090
N74M2AT	Sewn-Tufted Back and Seat		3149	3438	3556	3770	3994	4380	4893	7333	8125
N74M2ATB	Sewn-Tufted Back		2981	3240	3346	3538	3739	4085	4546	6735	7445
N74M2AS	Horizon Back Stitch		2981	3229	3331	3515	3708	4039	4481	6578	7259
CYLINDER LEG											
N74M2AC	Non-Tufted	\$	3083	3315	3410	3582	3762	4072	4485	6446	7082
N74M2ATC	Sewn-Tufted Back and Seat		3420	3690	3800	4000	4210	4570	5050	7330	8070
N74M2ATBC	Sewn-Tufted Back		3251	3508	3612	3802	4002	4344	4800	6966	7669
N74M2ASC	Horizon Back Stitch		3251	3483	3578	3750	3930	4240	4653	6614	7250
U-LEG WOOD											
N74M2AUW	Non-Tufted	\$	3299	3531	3626	3798	3978	4288	4701	6662	7298
N74M2ATUW	Sewn-Tufted Back and Seat		3636	3906	4016	4216	4426	4786	5266	7546	8286
N74M2ATBUW	Sewn-Tufted Back		3467	3724	3828	4018	4218	4560	5016	7182	7885
N74M2ASUW	Horizon Back Stitch		3467	3699	3794	3966	4146	4456	4869	6830	7466
U-LEG METAL											
N74M2AUM	Non-Tufted	\$	3353	3585	3680	3852	4032	4342	4755	6716	7352
N74M2ATUM	Sewn-Tufted Back and Seat		3690	3960	4070	4270	4480	4840	5320	7600	8340
N74M2ATBUM	Sewn-Tufted Back		3521	3778	3882	4072	4272	4614	5070	7236	7939
N74M2ASUM	Horizon Back Stitch		3521	3753	3848	4020	4200	4510	4923	6884	7520

DIMENSIONS

Width	67%	Seat Width	60	Weight	135
Depth	32%	Seat Depth	21½	Cubic Ft.	49.1
Height	26%	Seat Height	16%		

- Contrasting fabric option - specify X (i.e. N74M2AX); see page 492. For list pricing, use your electronic specification tool or contact customer service
- Sewn tufted detail on stripes and large patterns are not recommended, as the fabric will appear distorted or wavy across the back and seat

TO ORDER, SPECIFY:

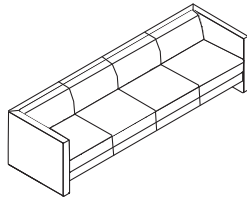
1. Model Number
2. Fabric Grade / Cover Number
3. Metal / Wood Leg Finish

• See page 491 for Tellaro options
 See pages 496-497 for COM fabric yardage

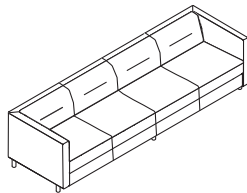
4 SEAT LOUNGE

MODEL NO.

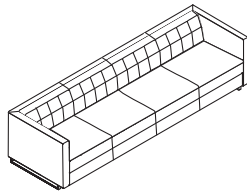
GRADE / LIST PRICE



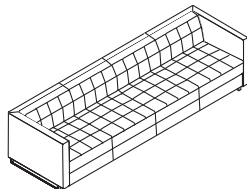
Fully Upholstered Leg
Non-Tufted



Cylinder Leg
Horizon Back Stitch



U-Leg Wood
Tufted Back



U-Leg Metal
Tufted Seat and Back

			1	2/COM	3/COL	4	5	6	7	L7	L8
--	--	--	---	-------	-------	---	---	---	---	----	----

FULLY UPHOLSTERED LEG

N74M4A	Non-Tufted	\$	4162	4475	4603	4835	5078	5496	6053	8698	9556
N74M4AT	Sewn-Tufted Back and Seat		4612	5055	5235	5563	5908	6498	7285	11024	12238
N74M4ATB	Sewn-Tufted Back		4387	4772	4929	5214	5513	6026	6710	9959	11013
N74M4AS	Horizon Back Stitch		4387	4700	4828	5060	5303	5721	6278	8923	9781

CYLINDER LEG

N74M4AC	Non-Tufted	\$	4541	4787	4887	5069	5260	5588	6024	8099	8773
N74M4ATC	Sewn-Tufted Back and Seat		4991	5366	5519	5797	6089	6590	7257	10426	11455
N74M4ATBC	Sewn-Tufted Back		4765	5084	5213	5449	5697	6122	6688	9379	10252
N74M4ASC	Horizon Back Stitch		4765	5011	5111	5293	5484	5812	6248	8323	8997

U-LEG WOOD

N74M4AUW	Non-Tufted	\$	4703	4949	5049	5231	5422	5750	6186	8261	8935
N74M4ATUW	Sewn-Tufted Back and Seat		5153	5528	5681	5959	6251	6752	7419	10588	11617
N74M4ATBUW	Sewn-Tufted Back		4928	5247	5376	5612	5860	6285	6851	9542	10415
N74M4ASUW	Horizon Back Stitch		4928	5174	5274	5456	5647	5975	6411	8486	9160

U-LEG METAL

N74M4AUM	Non-Tufted	\$	4757	5003	5103	5285	5476	5804	6240	8315	8989
N74M4ATUM	Sewn-Tufted Back and Seat		5207	5582	5735	6013	6305	6806	7473	10642	11671
N74M4ATBUM	Sewn-Tufted Back		4982	5301	5430	5666	5914	6339	6905	9596	10469
N74M4ASUM	Horizon Back Stitch		4982	5228	5328	5510	5701	6029	6465	8540	9214

DIMENSIONS

Width	103½	Seat Width	96½	Weight	202.4
Depth	32½	Seat Depth	21½	Cubic Ft.	74.8
Height	26½	Seat Height	16½		

- Contrasting fabric option - specify X (i.e. N74M4AX); see page 492. For list pricing, use your electronic specification tool or contact customer service
- Sewn tufted detail on stripes and large patterns are not recommended, as the fabric will appear distorted or wavy across the back and seat

COM YARDAGE REQUIREMENTS

COM YARDAGE REQUIREMENTS (54" WIDTH – CUT UP THE ROLL)

MODEL	RAILROADED Contact customer service 800-482-1717 for ydg requirements	NON DIRECTIONAL OR SOLID	1"-4" REPEAT	5"-11" REPEAT	12"-18" REPEAT	COL SQUARE FEET
			4" VERTICAL X 4" HORIZONTAL	11" VERTICAL X 11" HORIZONTAL	18" VERTICAL X 18" HORIZONTAL	
N74M1A		5.60	7.00	8.20	9.40	111
N74M1AX	Back	0.70	1.00	1.50	2.30	14
	Seat	0.80	1.50	2.00	2.90	16
	Upholstery	4.50	4.90	5.60	8.40	90
N74M1AT		6.80	8.00	9.00	10.20	136
N74M1ATX	Back	1.20	1.70	2.00	2.90	23
	Seat	1.40	1.70	2.50	3.30	27
	Upholstery	4.50	4.90	5.60	8.40	90
N74M1ATB		6.20	7.80	8.90	10.00	124
N74M1ATBX	Back	1.20	1.70	2.00	2.90	23
	Seat	0.80	1.50	2.00	2.90	16
	Upholstery	4.50	4.90	5.60	8.40	90
N74M1AUW, N74M1AC, N74M1AUM		4.80	6.50	8.00	9.50	94.7
N74M1AUWX, N74M1ACX, N74M1AUMX	Back	0.70	1.00	1.50	2.30	14
	Seat	0.80	1.50	2.00	2.90	16
	Upholstery	3.80	4.50	5.50	7.00	74.8
N74M1ATUW, N74M1ATC, N74M1ATUM		6.00	7.00	9.00	10.50	119
N74M1ATUWX, N74M1ATCX, N74M1ATUMX	Back	1.20	1.70	2.00	2.90	23
	Seat	1.40	1.70	2.50	3.30	27
	Upholstery	3.80	4.50	5.50	7.00	74.8
N74M1ATBUW, N74M1ATBC, N74M1ATBUM		5.50	7.00	8.50	10.00	109.1
N74M1ATBUWX, N74M1ATBCX, N74M1ATBUMX	Back	1.20	1.70	2.00	2.90	23
	Seat	0.80	1.50	2.00	2.90	16
	Upholstery	3.80	4.50	5.50	7.00	74.8
N74M1ASUW, N74M1ASC, N74M1ASUM		4.80	6.50	7.80	9.00	94.1
N74M1ASUWX, N74M1ASCX, N74M1ASUMX	Back	0.80	1.00	1.50	1.80	15.5
	Seat	0.80	1.50	2.00	2.90	16
	Upholstery	3.80	4.50	5.50	7.00	74.8
N74M1AS		5.50	7.00	8.50	9.00	108.5
N74M1SAX	Back	0.80	1.00	1.50	1.80	15.5
	Seat	0.80	1.50	2.00	2.90	16
	Upholstery	4.50	4.90	5.60	8.40	90
N74M2A		9.50	10.50	12.90	14.50	189
N74M2AX	Back	1.60	1.90	2.50	4.90	31
	Seat	2.40	2.90	4.00	4.90	48
	Upholstery	5.80	6.50	7.20	8.70	115
N74M2AT		11.00	12.00	14.00	16.50	219
N74M2ATX	Back	2.70	3.00	3.90	5.90	53
	Seat	2.80	3.30	4.30	5.80	55
	Upholstery	5.80	6.50	7.20	8.70	115
N74M2ATB		10.60	11.90	14.00	16.00	211
N74M2ATBX	Back	2.70	3.00	3.90	5.90	53
	Seat	2.40	2.90	4.00	4.90	48
	Upholstery	5.80	6.50	7.20	8.70	115
N74M2AUW, N74M2AC, N74M2AUM		8.60	10.00	12.00	15.00	171.1
N74M2AUWX, N74M2ACX, N74M2AUMX	Back	1.60	1.90	2.50	4.90	31
	Seat	2.40	2.90	4.00	4.90	48
	Upholstery	4.90	5.50	7.00	10.00	95.8
N74M2ATUW, N74M2ATC, N74M2ATUM		10.00	11.50	14.00	16.50	199.3
N74M2ATUWX, N74M2ATCX, N74M2ATUMX	Back	2.70	3.00	3.90	5.90	53
	Seat	2.80	3.30	4.30	5.80	55
	Upholstery	4.90	5.50	7.00	10.00	95.8
N74M2ATBUW, N74M2ATBC, N74M2ATBUM		9.60	11.00	13.00	15.50	190.4

COM YARDAGE REQUIREMENTS (54" WIDTH – CUT UP THE ROLL)

MODEL	RAILROADED Contact customer service 800-482-1717 for ydg requirements	NON DIRECTIONAL OR SOLID	1"-4" REPEAT	5"-11" REPEAT	12"-18" REPEAT	COL SQUARE FEET
			4" VERTICAL X 4" HORIZONTAL	11" VERTICAL X 11" HORIZONTAL	18" VERTICAL X 18" HORIZONTAL	
N74M2ATBUWX, N74M2ATBCX, N74M2ATBUMX	Back	2.70	3.00	3.90	5.90	53.0
	Seat	2.40	2.90	4.00	4.90	48.0
	Upholstery	4.90	5.50	7.00	10.00	95.8
N74M2ASUW, N74M2ASC, N74M2ASUM		8.40	10.00	11.50	13.50	167.2
N74M2ASUWX, N74M2ASCX, N74M2ASUMX	Back	1.50	2.00	2.50	4.00	29.9
	Seat	2.40	2.90	4.00	4.90	48.0
	Upholstery	4.90	5.50	7.00	10.00	95.8
N74M2AS		9.50	11.00	13.00	14.00	188.8
N74M2ASX	Back	1.50	2.00	2.50	4.00	29.9
	Seat	2.40	2.90	4.00	4.90	48.0
	Upholstery	5.80	6.50	7.20	8.70	115.0
N74M4A		10.00	17.00	21.00	25.20	198
N74M4AX	Back	2.10	3.30	4.40	6.70	42
	Seat	2.80	4.60	7.50	9.00	56
	Upholstery	6.60	9.00	10.20	10.80	132
N74M4AT		14.90	20.40	23.80	29.00	297
N74M4ATX	Back	4.40	5.50	7.00	9.00	88
	Seat	4.90	6.00	8.00	10.80	97
	Upholstery	6.60	9.00	10.20	10.80	132
N74M4ATB		12.80	19.30	23.70	27.00	255
N74M4ATBX	Back	4.40	5.50	7.00	9.00	88
	Seat	2.80	4.60	7.50	9.00	56
	Upholstery	6.60	9.00	10.20	10.80	132
N74M4AUW, N74M4AC, N74M4AUM		9.10	16.00	20.50	25.00	179.9
N74M4AUWX, N74M4ACX, N74M4AUMX	Back	2.10	3.30	4.40	6.70	42.0
	Seat	2.80	4.60	7.50	9.00	56.0
	Upholstery	5.50	8.00	10.00	12.00	109.6
N74M4ATUW, N74M4ATC, N74M4ATUM		14.00	19.00	24.00	28.50	277.3
N74M4ATUWX, N74M4ATCX, N74M4ATUMX	Back	4.40	5.50	7.00	9.00	88.0
	Seat	4.90	6.00	8.00	10.80	97.0
	Upholstery	5.50	8.00	10.00	12.00	109.6
N74M4ATBUW, N74M4ATBC, N74M4ATBUM		11.90	18.50	23.50	25.00	235.3
N74M4ATBUWX, N74M4ATBCX, N74M4ATBUMX	Back	4.40	5.50	7.00	9.00	88.0
	Seat	2.80	4.60	7.50	9.00	56.0
	Upholstery	5.50	8.00	10.00	12.00	109.6
N74M4ASUW, N74M4ASC, N74M4ASUM		8.90	15.50	19.00	22.00	176.0
N74M4ASUWX, N74M4ASCX, N74M4ASUMX	Back	2.20	3.50	4.30	5.00	43.2
	Seat	2.80	4.60	7.50	9.00	56.0
	Upholstery	5.50	8.00	10.00	12.00	109.6
N74M4AS		10.00	17.00	21.00	22.00	197.6
N74M4ASX	Back	2.20	3.50	4.30	5.00	43.2
	Seat	2.80	4.60	7.50	9.00	56.0
	Upholstery	6.60	9.00	10.20	10.80	132.0

